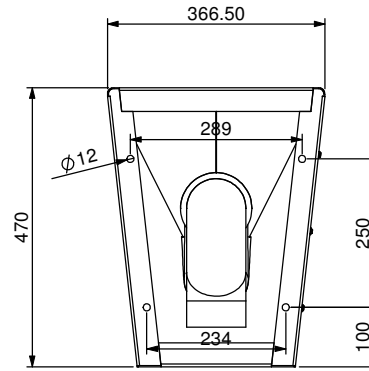
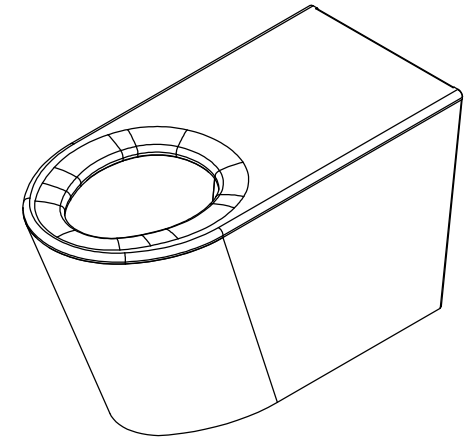


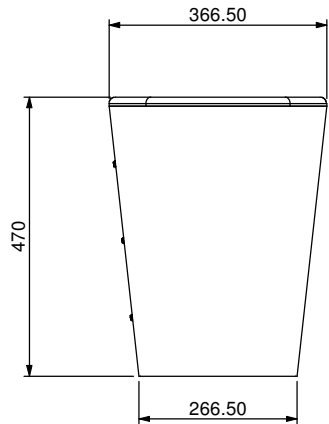
PLAN VIEW



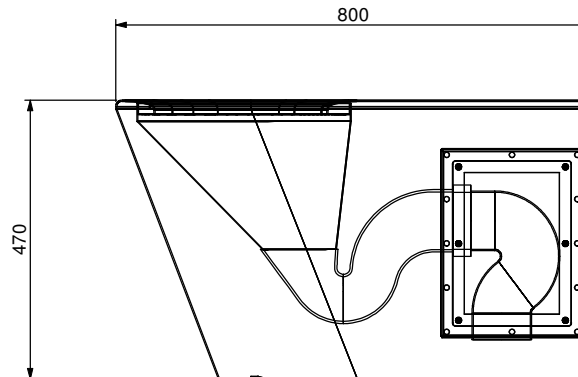
REAR VIEW



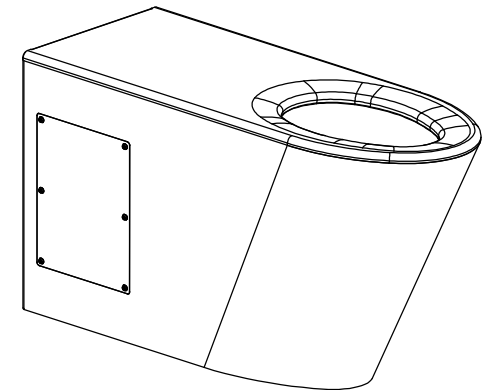
ISOMETRIC VIEW



FRONT VIEW



END VIEW



ISOMETRIC VIEW

Press:	Programmed by:	Date:	Punch:	Die:
--------	----------------	-------	--------	------

STODDART
MANUFACTURING
 TOM STODDART Pty Ltd ACN 009 690 251
 215 Jackson Rd Sunnybank Hills Qld 4109
 P.O. Box 420 Sunnybank Qld 4109
 Phone: (617) 3344 2444 Fax: (617) 3344 6403
 Email: sunnybank@stoddart.com.au
Quality in stainless steel

PRODUCT: Stainless Toilet Pan Wall Faced - 2 Disabled				PART No: SPPL-TP-WF2-SA-D-VAR-a001	
DRAWN	J Pickels	SIGNATURE	DATE	UNLESS OTHERWISE SPECIFIED: DIMENSIONS ARE IN MILLIMETERS	
APPVD				DESCRIPTION: General Drawing	
Weight: 25.77 kg Surface Area: 3.42 M2			MATERIAL: THICKNESS: FINISH:		DWG No: SPPL-TP-WF2-SA-D-VAR-d001a
DO NOT SCALE DRAWING		This drawing remains the property of Tom Stoddart Pty Ltd & cannot be reproduced without prior permission.			REVISION A
				A3	Sheet 1 of 13