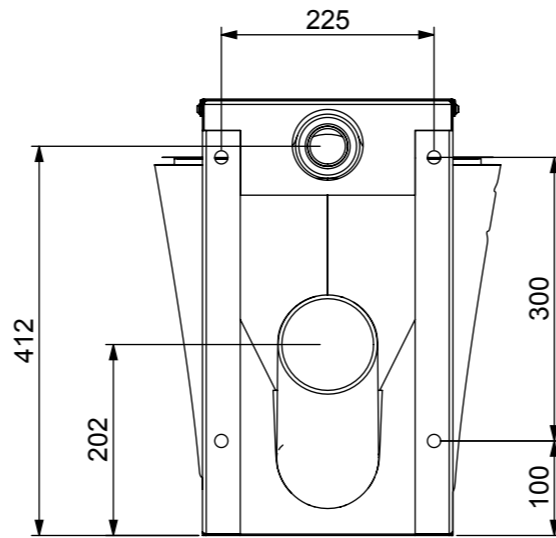
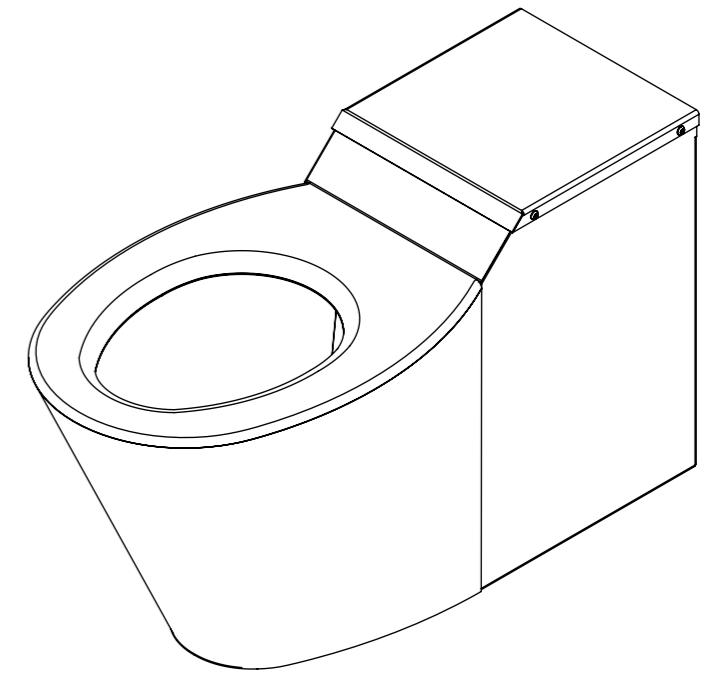


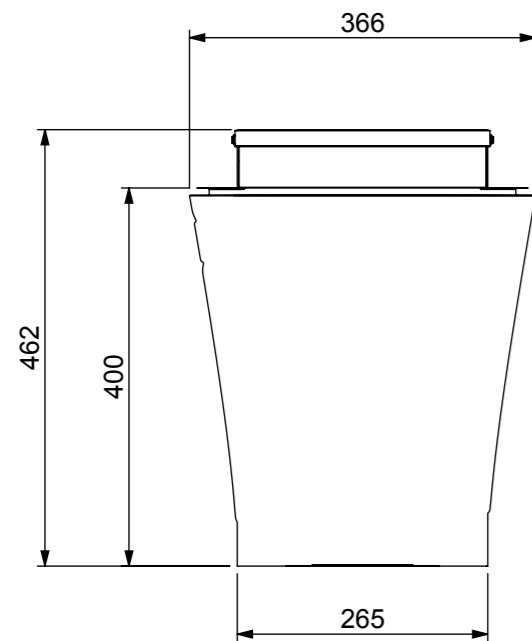
PLAN VIEW



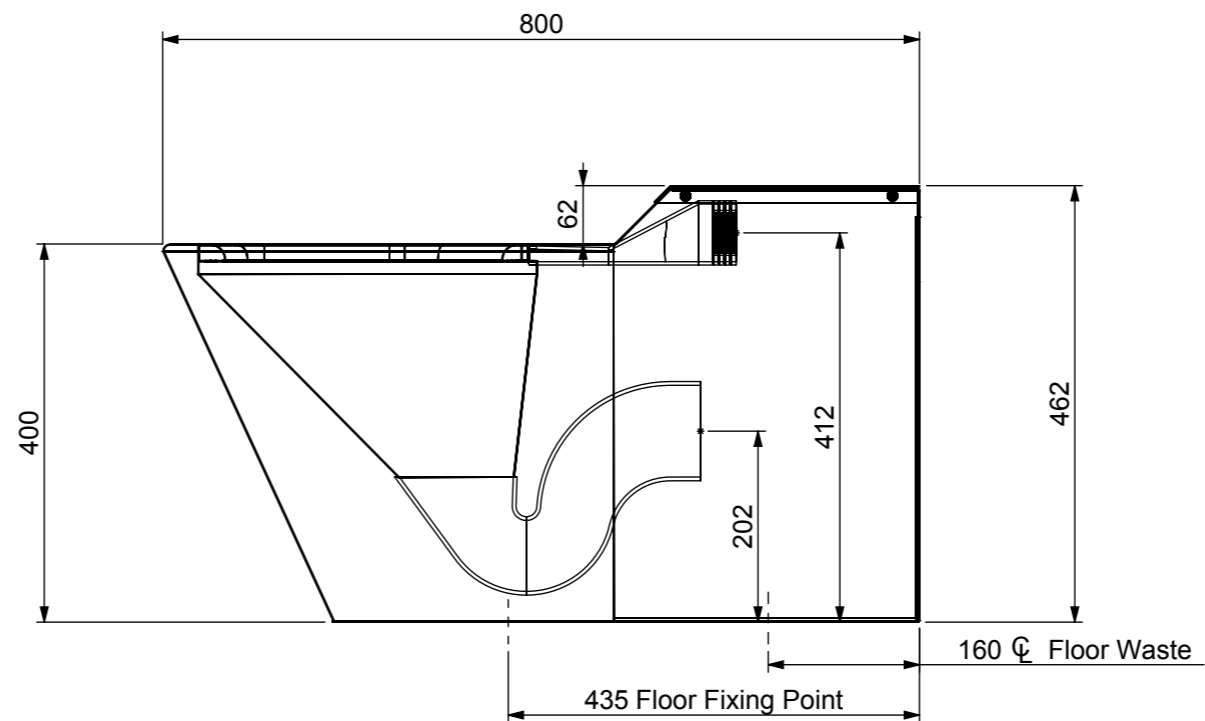
REAR VIEW



ISOMETRIC VIEW



FRONT VIEW

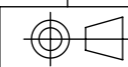


END VIEW


STODDART
Manufacturing
 TOM STODDART Pty Ltd ACN 009 690 251
 215 Jackson Rd Sunnybank Hills Qld 4109
 PO Box 420 Sunnybank Qld 4109
 Phone (617) 3345 5011 Fax (617) 3344 1000
 Email sunnybank@stoddart.com.au
Quality in stainless steel

PRODUCT: VANDAL RESISTANT TOILET PAN

NAME	SIGNATURE	DATE	UNLESS OTHERWISE SPECIFIED: DIMENSIONS ARE IN MILLIMETERS
DRAWN J Pickels		23/02/2005	
APPVD			



MATERIAL:
THICKNESS:
FINISH:

Press:	Programmed by:	Date:	Punch:	Die:
--------	----------------	-------	--------	------

PART No: **SPPL TP WF-a001**

DESCRIPTION: Stainless Single Standard Pan-Wall Faced

DWG No: SPPL TP WF-d001

REVISION
A

DO NOT SCALE DRAWING

This drawing remains the property of Tom Stoddart Pty Ltd & cannot be reproduced without prior permission.

A3

Sheet 1 of 12