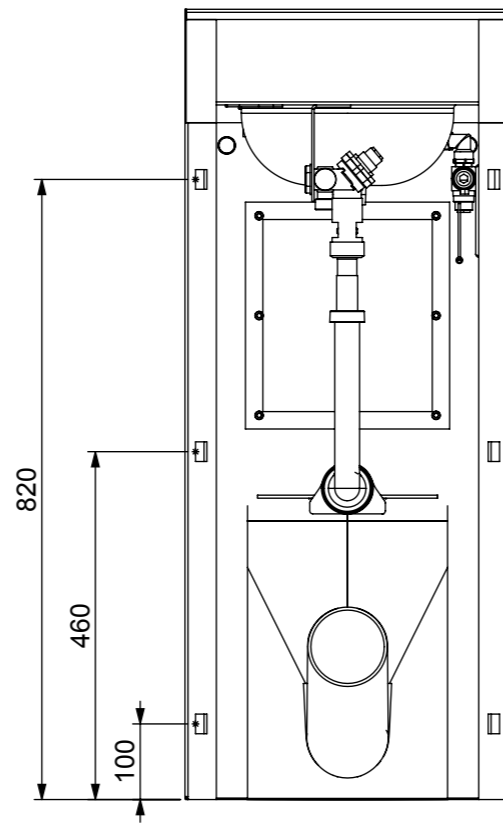
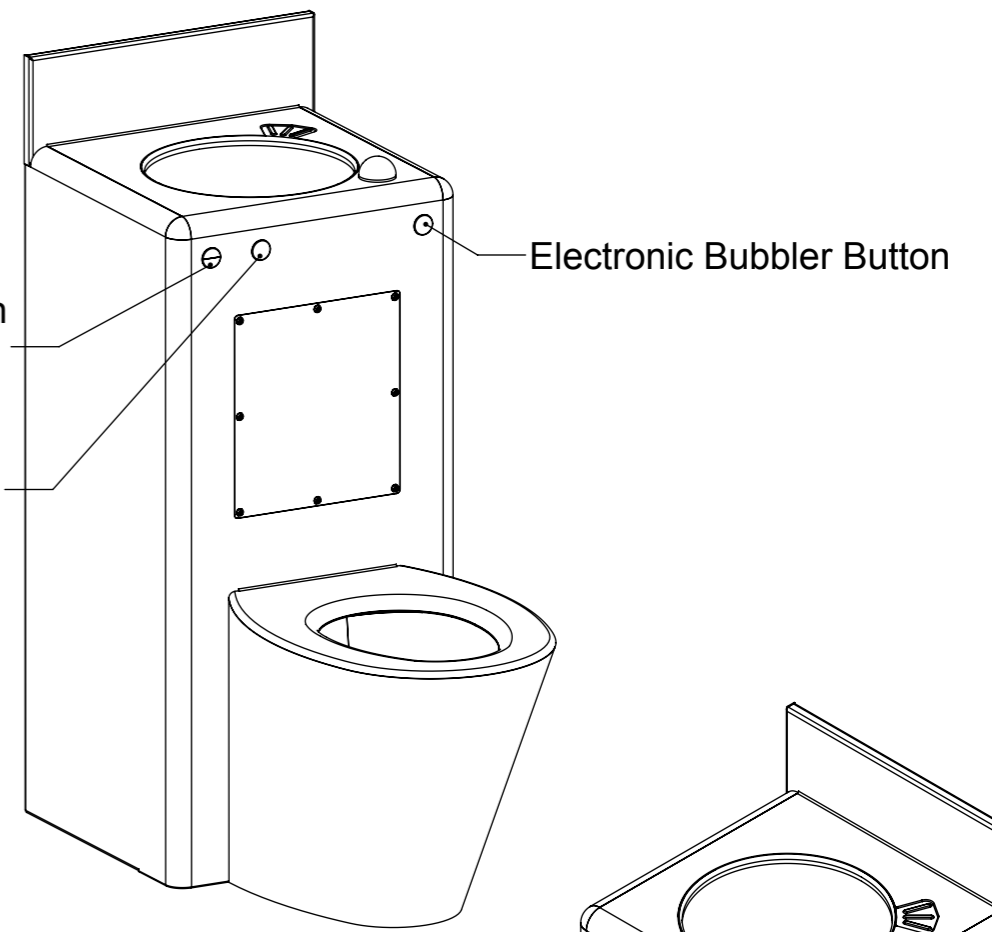


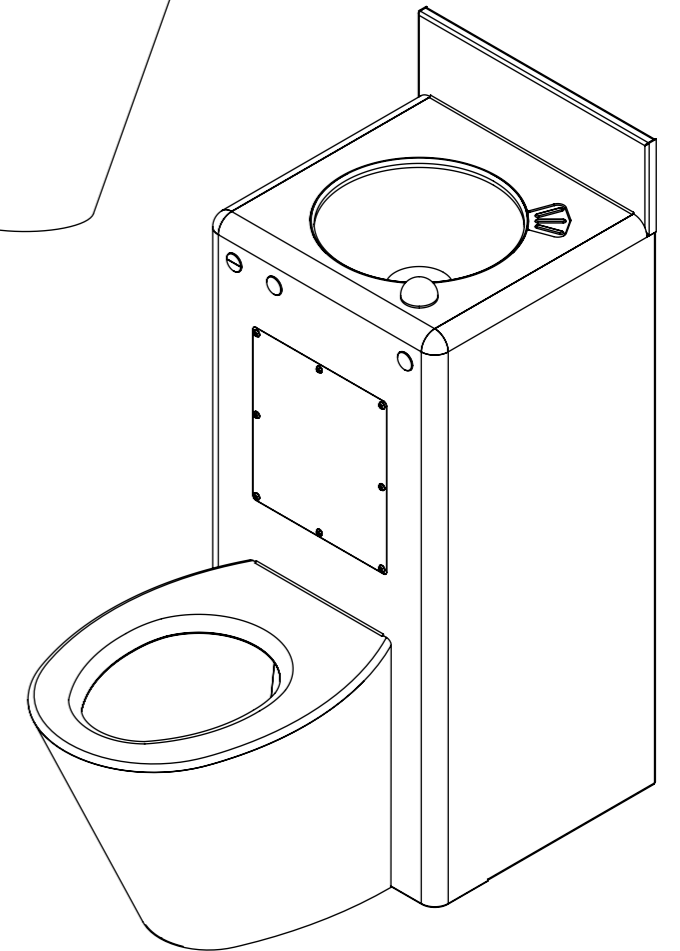
PLAN VIEW



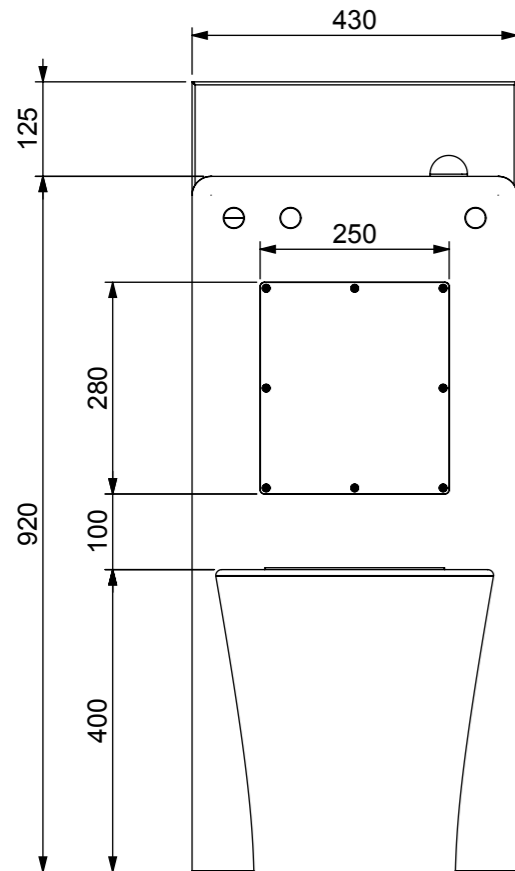
REAR VIEW



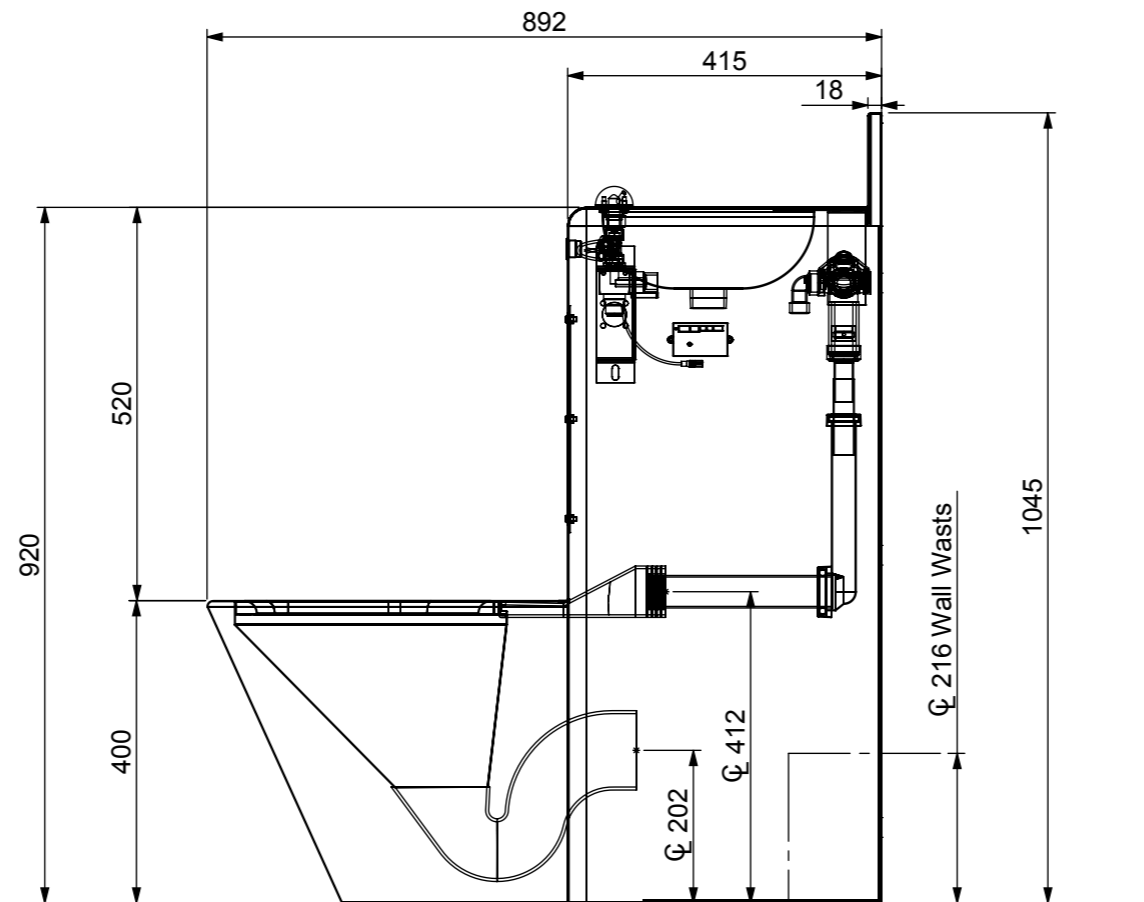
ISOMETRIC VIEW



ISOMETRIC VIEW



FRONT VIEW



END VIEW

STODDART
Manufacturing
 TOM STODDART Pty Ltd ACN 009 690 251
 215 Jackson Rd Sunnybank Hills Qld 4109
 PO Box 420 Sunnybank Qld 4109
 Phone (617) 3345 5011 Fax (617) 3344 1000
 Email sunnybank@stoddart.com.au
Quality in stainless steel

PRODUCT: Toilet Pan & Basin - Square - Electronic

NAME	SIGNATURE	DATE
DRAWN J Pickels		2/07/2007
APPVD		

UNLESS OTHERWISE SPECIFIED:
 DIMENSIONS ARE IN MILLIMETERS

MATERIAL:
 THICKNESS:
 FINISH:

PART No: **SPPL TP CS ED-a001**
 DESCRIPTION: Stainless Toilet Pan & Basin Combination

DWG No: SPPL TP CS ED-d001
 REVISION **A**