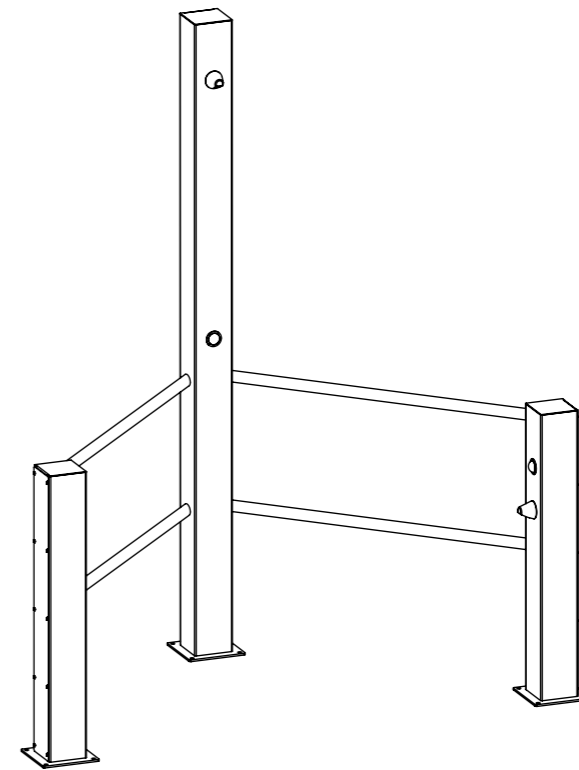
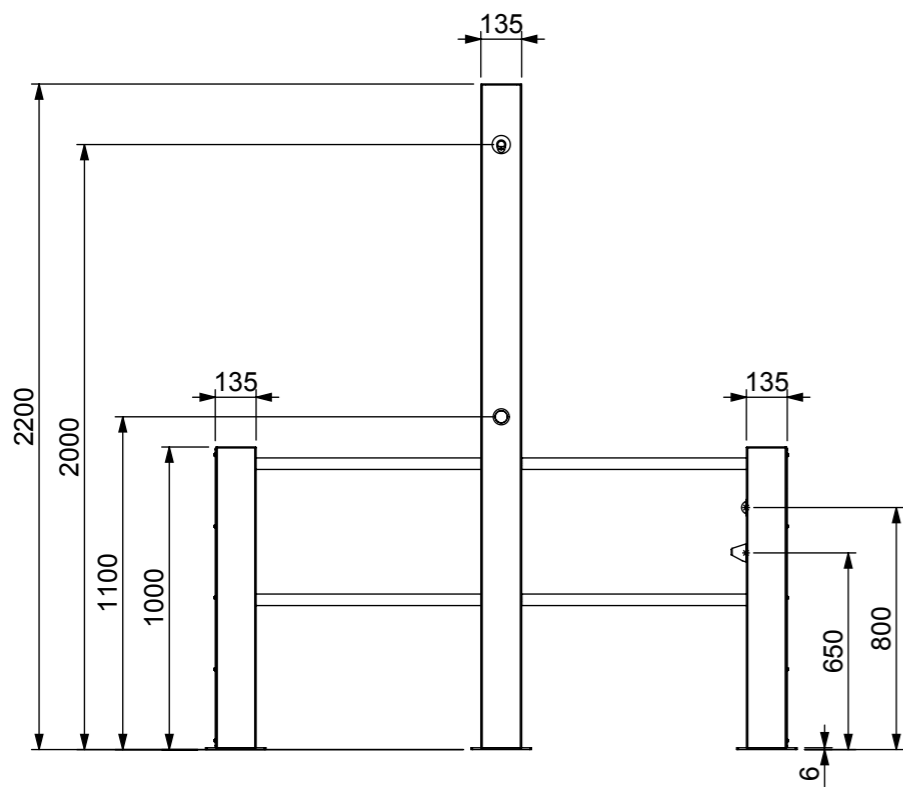


PLAN VIEW

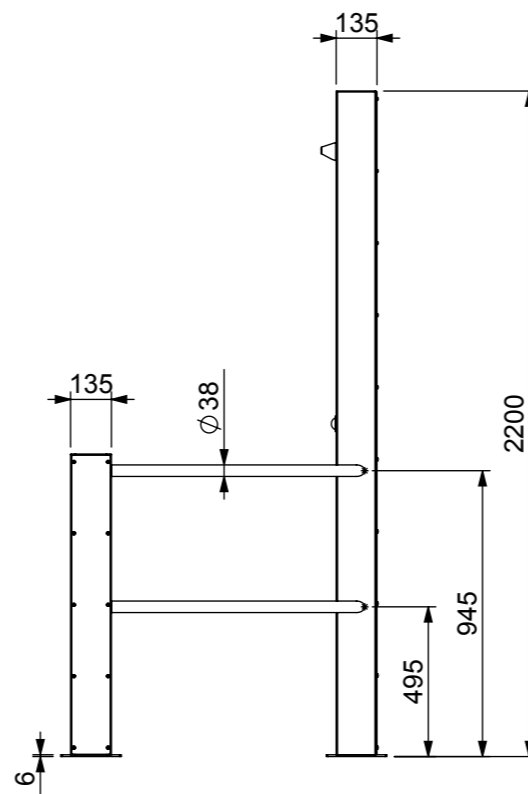
6.0mm Fixing Plates x 3
(Complete with 4 of 13 ϕ fixing holes
at 170 x 170 centres and 65 ϕ
services hole to centre)



ISOMETRIC VIEW



FRONT VIEW



END VIEW

Product Details

Connection	Connection in Shower Size / Type	Min Length of Flexi Hose Req From F.F.L to Connection
Shower	1/2 " BSP Nipple	1050 mm
Foot Shower	1/2 " BSP Nipple	750 mm

STODDART Manufacturing
TOM STODDART Pty Ltd ACN 009 690 251
215 Jackson Rd Sunnybank Hills Qld 4109
PO Box 420 Sunnybank Qld 4109
Phone (617) 3345 5011 Fax (617) 3344 1000
Email sunnybank@stoddart.com.au
Quality in stainless steel

PRODUCT: Outdoor Shower		PART No: SPPL OS 3P FS-a001	
NAME	SIGNATURE	DATE	UNLESS OTHERWISE SPECIFIED: DIMENSIONS ARE IN MILLIMETERS
DRAWN J Pickels		14/07/2008	DESCRIPTION: General Drawing
APPVD			MATERIAL:
			THICKNESS:
			FINISH:
DO NOT SCALE DRAWING		This drawing remains the property of Tom Stoddart Pty Ltd & cannot be reproduced without prior permission.	
A3		Sheet 1 of 17	
DWG No: SPPL OS 3P FS-d001		REVISION A	