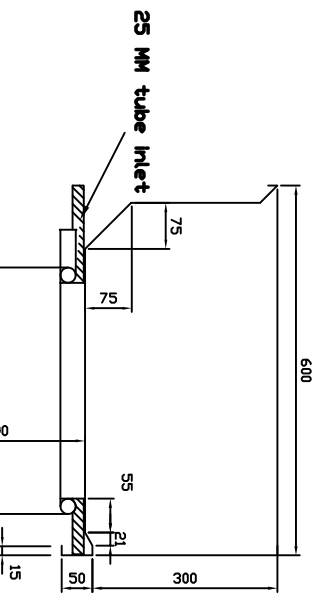


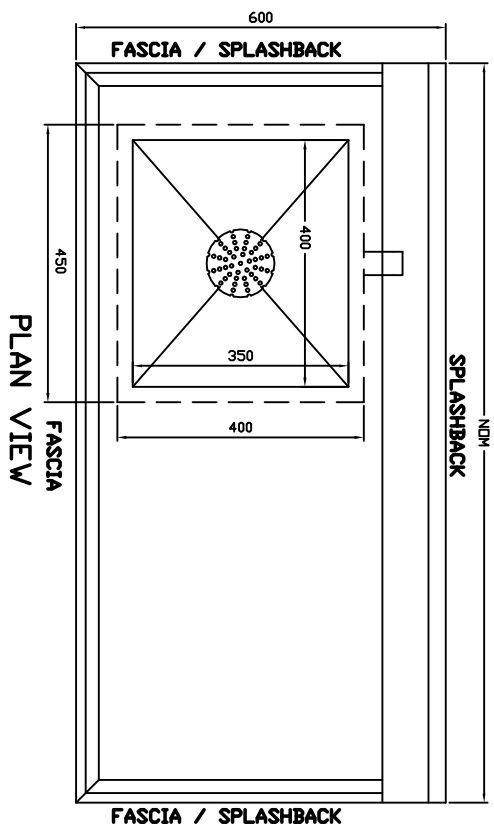


STODDART

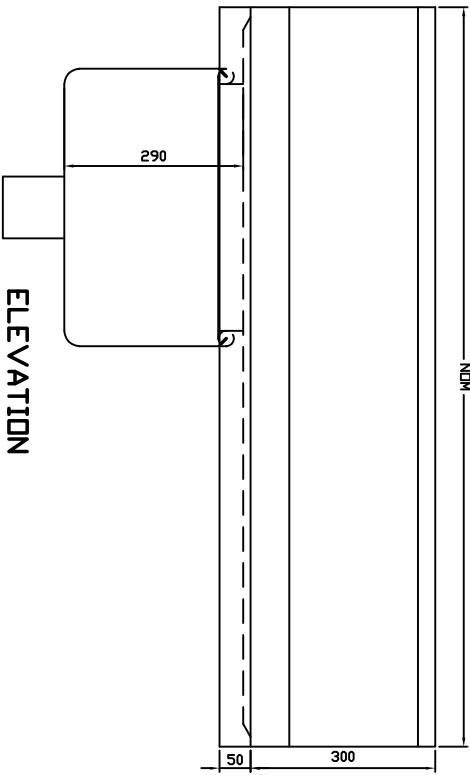
METAL FABRICATORS
Tom Stoddart Pty Ltd ACN 009 690 281
149 Jackson Rd Sunnybank Hills Qld 4109
PO Box 420 Sunnybank Qld 4109
Phone (617) 3345 5011 Fax (617) 3344 1000
Email sunnybank@stoddart.com.au
Quality in stainless steel



100 mm dia outlet
SECTION VIEW



PLAN VIEW



ELEVATION

FLUSHING RIM SINK

SCALE 1:10 DRAWN L.A.S. CHECKED DATE APPROVED DATE

No.6 SURFACE FINISH REFER TO TS-WH-47.12 DATE DATE DATE

S.S. TOLERANCE REFER TO TS-WH-47.14 UNLESS A CRITICAL DIMENSION IS INDICATED BY * NEXT TO THE DIMENSION. UNLESS OTHERWISE NOTED ALL DIMENSIONS IN MM

WELDING REFER TO TS-WH-42.11 CAD FILE: PROJECT CLIENT

TITLE		PROJECT		CLIENT	
FLUSHING RIM SINK					
DRAWING No.		A0		ISSUE	
0000W001		A			
Form No. TS-0416 Revision 3 March 2000. COPYRIGHT RESERVED 1990 DO NOT SCALE. F.N. DOLBY, ASK.					

This drawing remains the property of Tom Stoddart Pty. Ltd. and cannot be reproduced without prior permission.