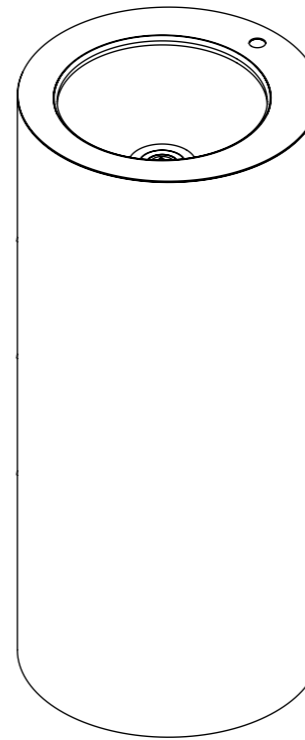


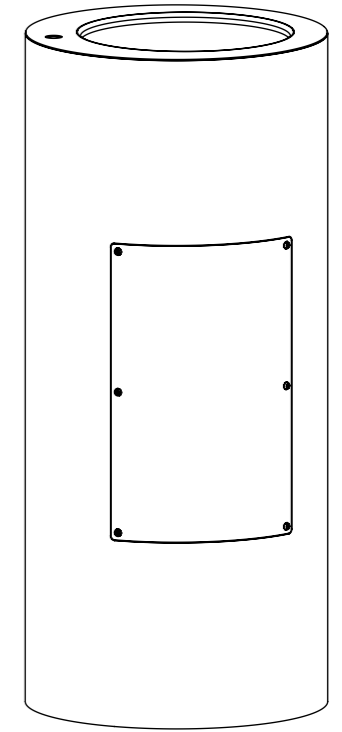
PLAN VIEW

Product Details

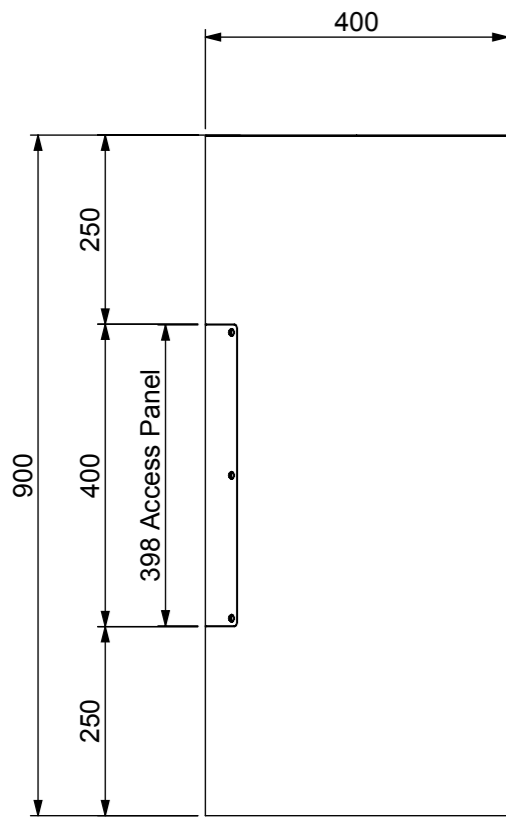
Waste : 40mm
 Water Connection : 1/2" BSP



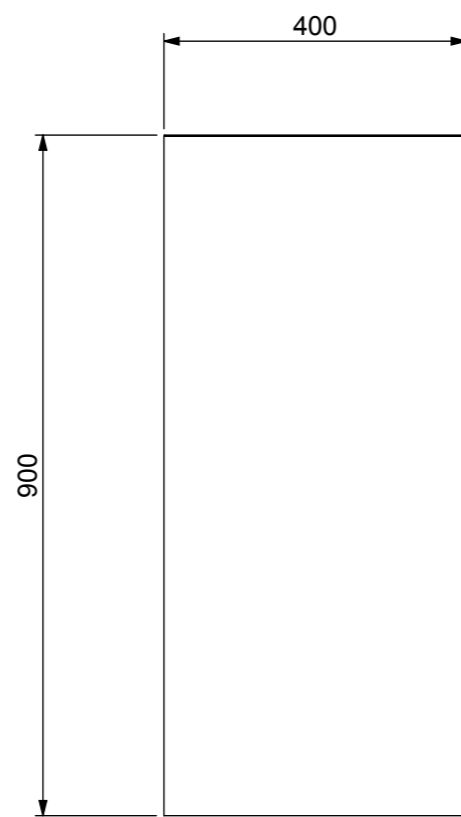
ISOMETRIC VIEW



ISOMETRIC VIEW
(SHOWING ACCESS PANEL)

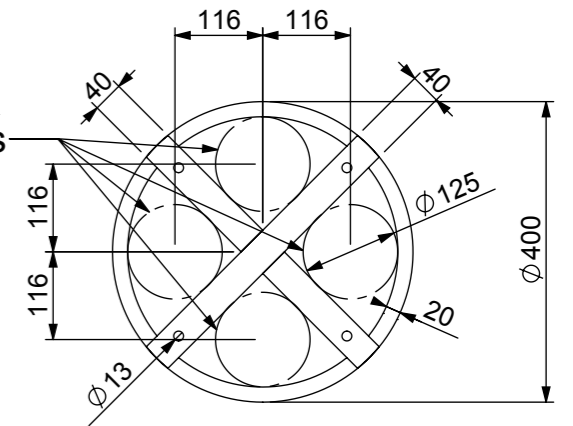


FRONT VIEW



END VIEW

Suggested pipework penetration positions



(front of unit)

BASE PLATE

STODDART
 Manufacturing
 TOM STODDART Pty Ltd ACN 009 690 251
 215 Jackson Rd Sunnybank Hills Qld 4109
 PO Box 420 Sunnybank Qld 4109
 Phone (617) 3345 5011 Fax (617) 3344 1000
 Email sunnybank@stoddart.com.au
Quality in stainless steel

Press:		Programmed by:		Date:	Punch:	Die:
PRODUCT: Drinking Fountain-Round-Freestanding		PART No: SPPL DF R FS-d001				
NAME	SIGNATURE	DATE	UNLESS OTHERWISE SPECIFIED: DIMENSIONS ARE IN MILLIMETERS		DESCRIPTION: General Drawing	
DRAWN J Pickels		25/08/2008				
APPVD			MATERIAL:		REVISION	
			THICKNESS:		DWG No: SPPL DF R FS-d001	
			FINISH:		B	
DO NOT SCALE DRAWING		This drawing remains the property of Tom Stoddart Pty Ltd & cannot be reproduced without prior permission.			A3	Sheet 1 of 10