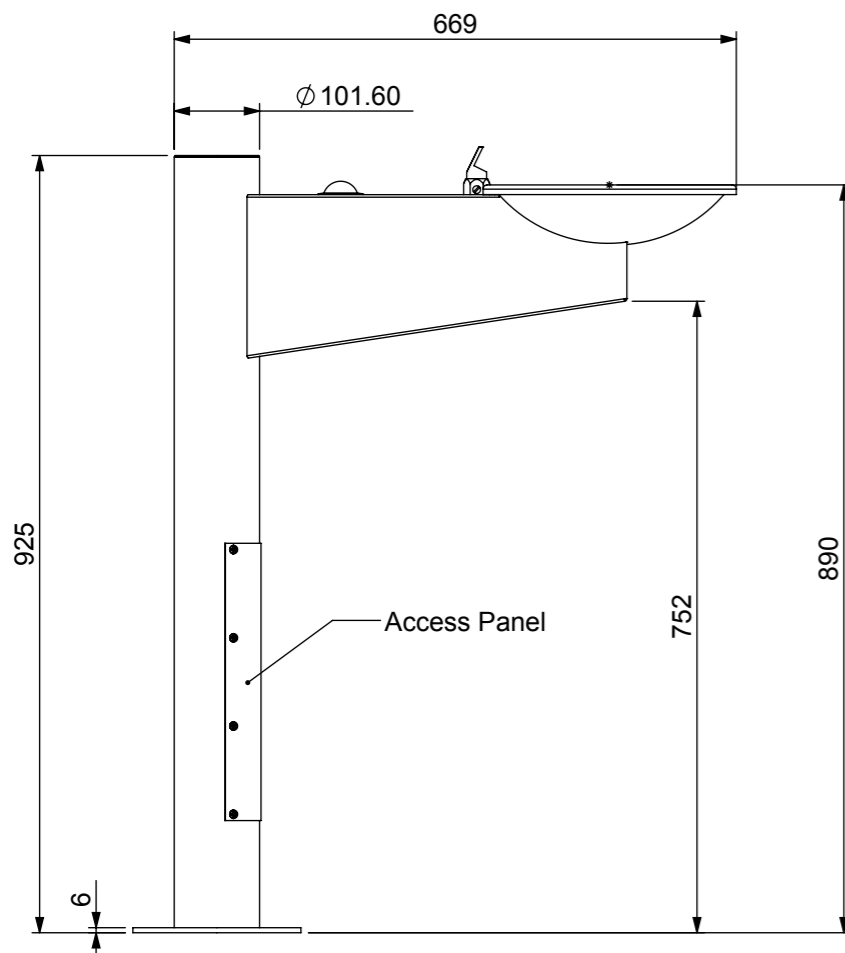
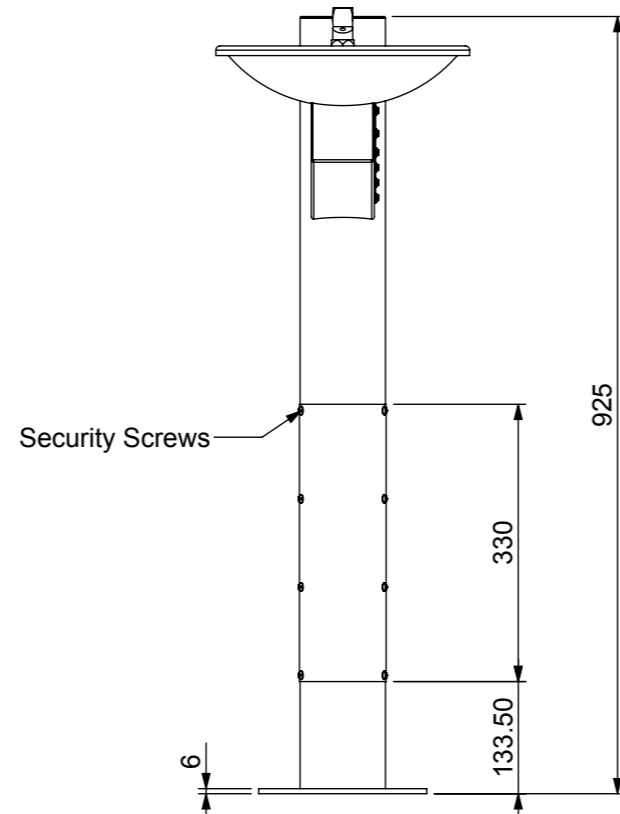


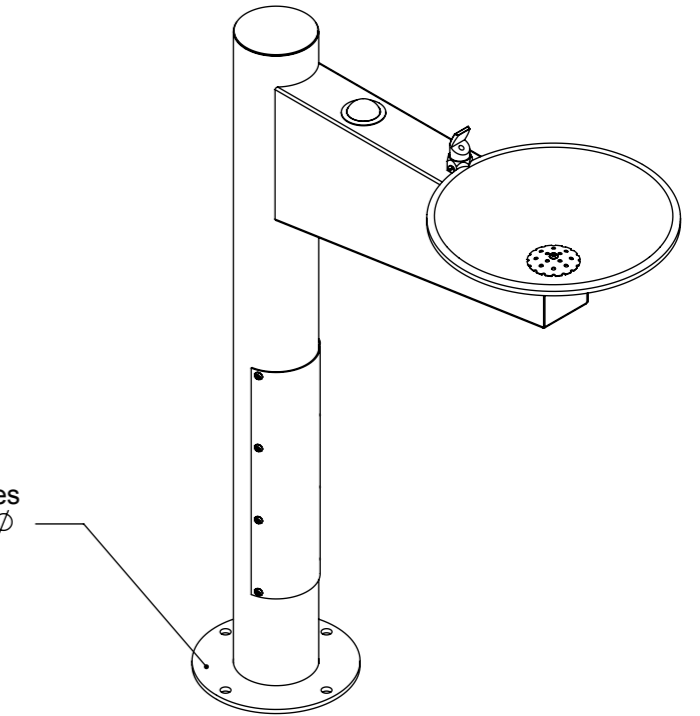
PLAN VIEW



FRONT VIEW



END VIEW



ISOMETRIC VIEW

6.0mm Fixing Plate  
(Complete with 4 of 13  $\phi$  fixing holes  
at 170 x 170 centres and 98mm  $\phi$   
services hole to centre)

**Product Details**

Waste : 40mm P.V.C  
Water Connection : 1/2" BSP

Press:	Programmed by:	Date:	Punch:	Die:

**STODDART**  
Manufacturing  
TOM STODDART Pty Ltd ACN 009 690 251  
215 Jackson Rd Sunnybank Hills Qld 4109  
PO Box 420 Sunnybank Qld 4109  
Phone (617) 3345 5011 Fax (617) 3344 1000  
Email sunnybank@stoddart.com.au  
*Quality in stainless steel*

PRODUCT: Metro Drinking Fountain				PART No: <b>SPPL DF MS</b>	
NAME	SIGNATURE	DATE	UNLESS OTHERWISE SPECIFIED: DIMENSIONS ARE IN MILLIMETERS	DESCRIPTION: General Drawing	
DRAWN J Pickels		5/06/2008			
APPVD			MATERIAL:	DWG No: SPPL DF MS	
			THICKNESS:	REVISION	
			FINISH:	A	
DO NOT SCALE DRAWING			This drawing remains the property of Tom Stoddart Pty Ltd & cannot be reproduced without prior permission.		Sheet 1 of 21