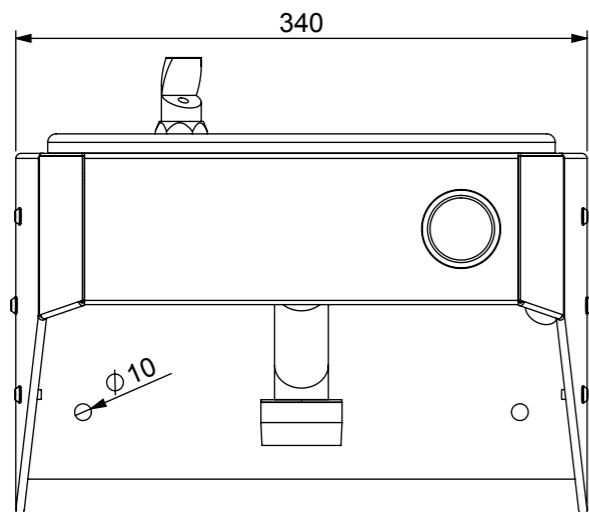
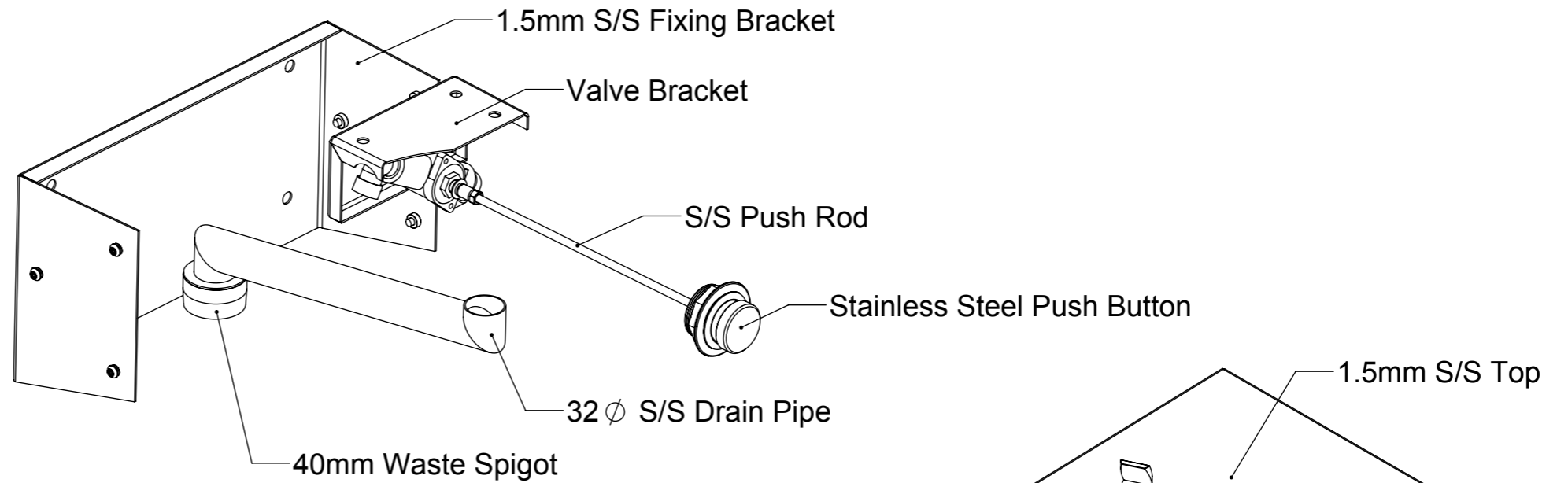


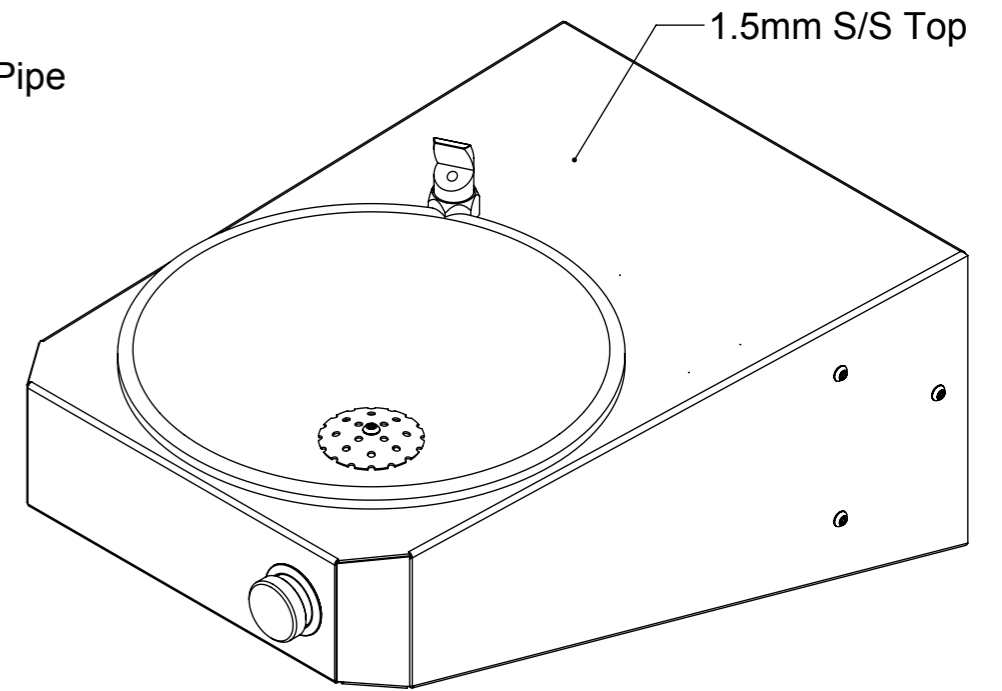
PLAN VIEW



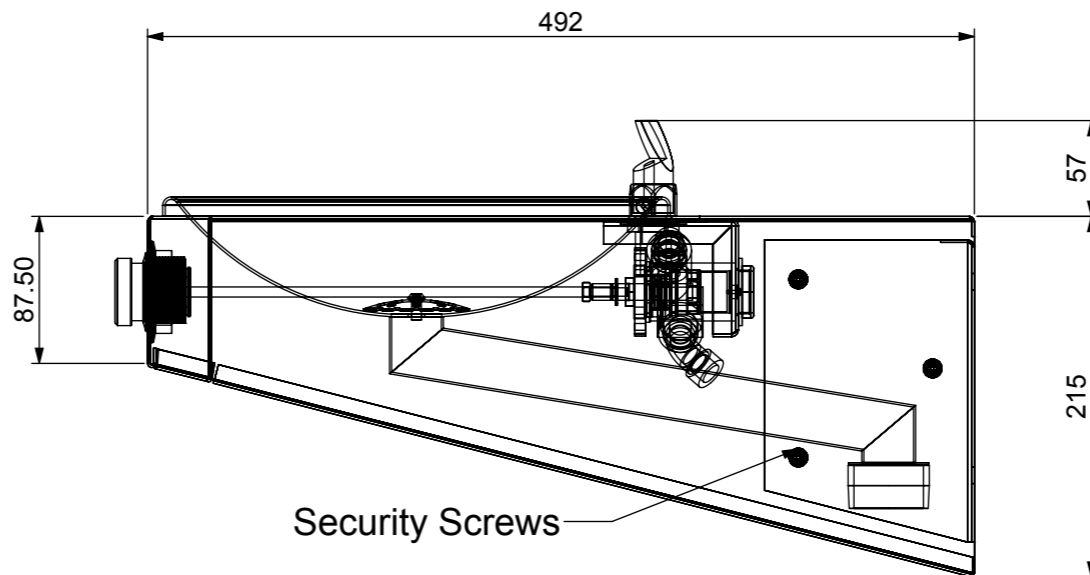
FRONT VIEW



INTERNAL VIEW



ISOMETRIC VIEW



END VIEW

Press:	Programmed by:	Date:	Punch:	Die:

STODDART
Manufacturing
 TOM STODDART Pty Ltd ACN 009 690 251
 215 Jackson Rd Sunnybank Hills Qld 4109
 PO Box 420 Sunnybank Qld 4109
 Phone (617) 3345 5011 Fax (617) 3344 1000
 Email sunnybank@stoddart.com.au
Quality in stainless steel

PRODUCT: Drinking Fountain-Metro Wall Mounted				PART No: SPPL DF M WM	
NAME	SIGNATURE	DATE	UNLESS OTHERWISE SPECIFIED: DIMENSIONS ARE IN MILLIMETERS	DESCRIPTION: General Drawing	
DRAWN J Pickels		8/12/2008			
APPVD			MATERIAL:	DWG No: SPPL DF M WM	
			THICKNESS:	REVISION	
			FINISH:	A	
DO NOT SCALE DRAWING			This drawing remains the property of Tom Stoddart Pty Ltd & cannot be reproduced without prior permission.		Sheet 1 of 12