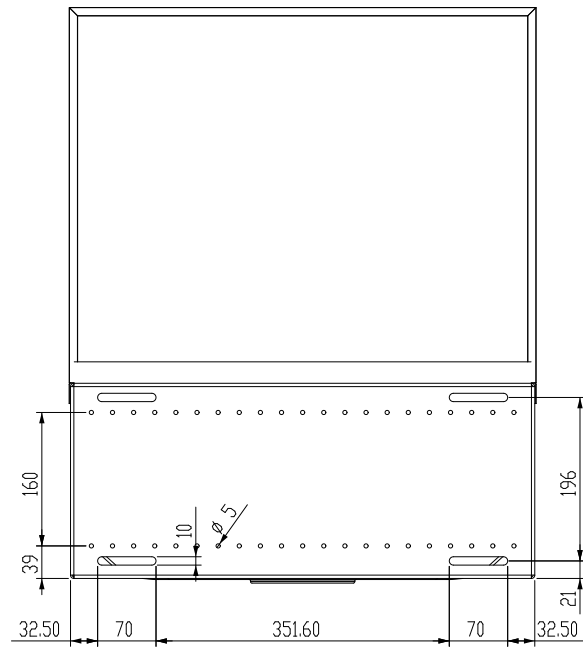
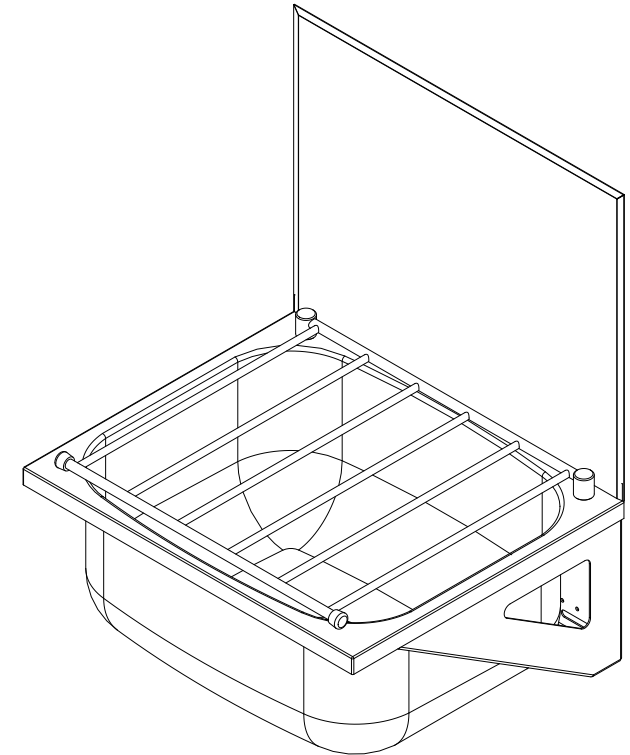


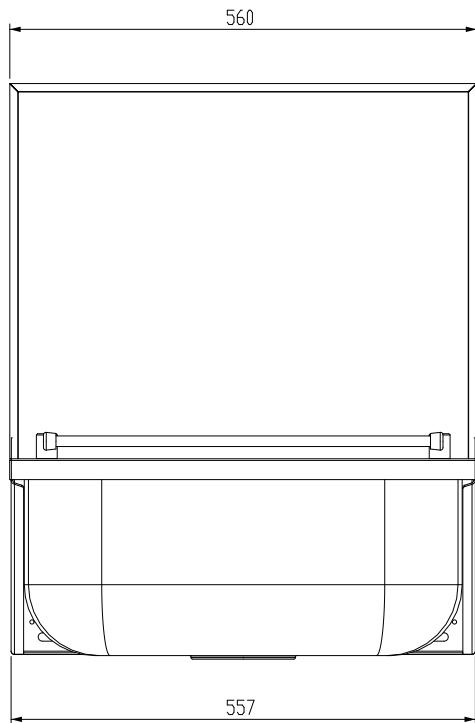
PLAN VIEW



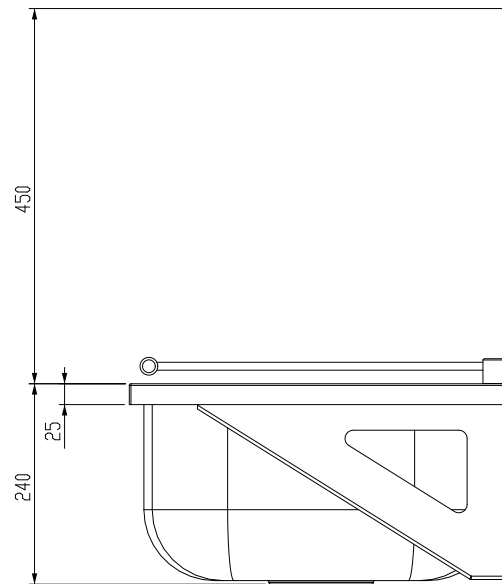
REAR VIEW



ISOMETRIC



FRONT VIEW



SIDE VIEW


STODDART
 Manufacturing
 TOM STODDART Pty Ltd ACN 009 690 251
 215 Jackson Rd Sunnybank Hills Qld 4109
 PO Box 420 Sunnybank Qld 4109
 Phone (617) 3345 5011 Fax (617) 3344 1000
 Email sunnybank@stoddart.com.au
 Quality in stainless steel

PRODUCT: SPPL CS 02 450 - Cleaners Sink (bracket and s/back)

DRAWN	NAME	SIGNATURE	DATE	UNLESS OTHERWISE SPECIFIED: DIMENSIONS ARE IN MILLIMETERS
C Johnson			15/12/2008	
APPV'D				MATERIAL:
				THICKNESS:
				FINISH:

Weight: 10.01 kg
Surface Area: 2.73 M²



DD NDT SCALE DRAWING

This drawing remains the property of Tom Stoddart Pty Ltd & cannot be reproduced without prior permission.

A3

Sheet 1 of 1

Press:	Programmed by:	Date:	Punch:	Die:
--------	----------------	-------	--------	------

PART No: SPPL CS 02 450-a001

DESCRIPTION: Cleaners Sink with Bracket and Splashback

DWG No: SPPL CS 02 450-d002

REVISION

A