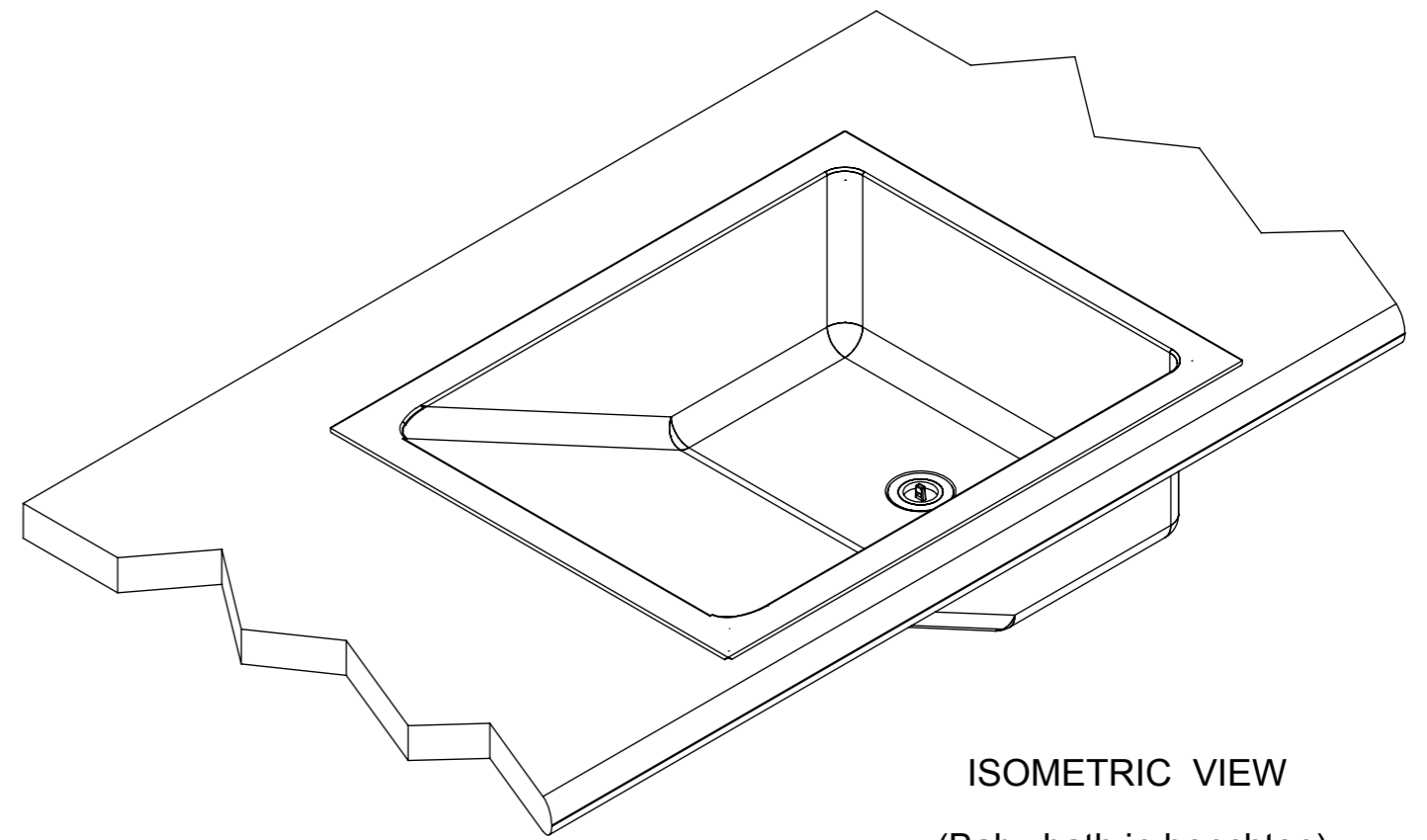
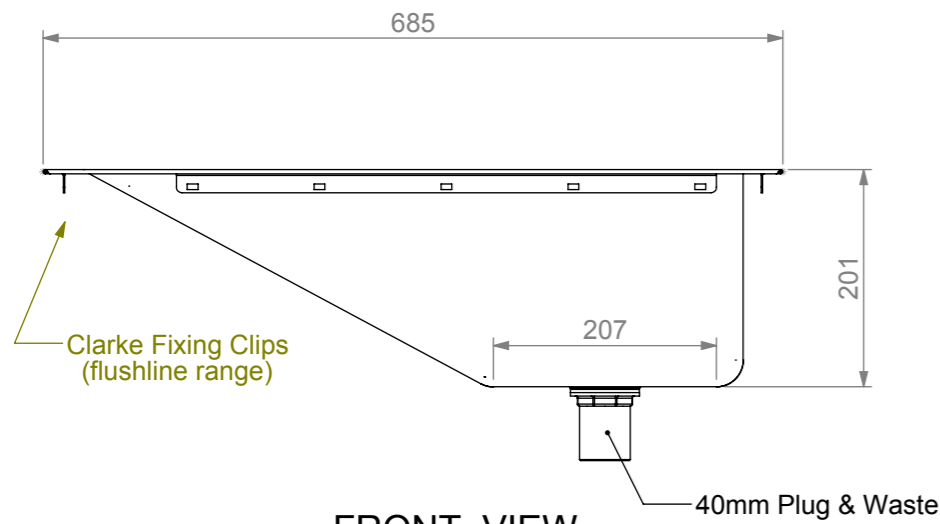


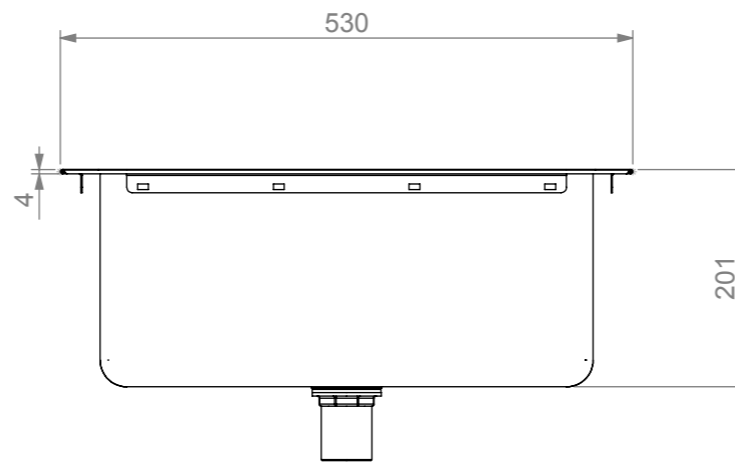
PLAN VIEW



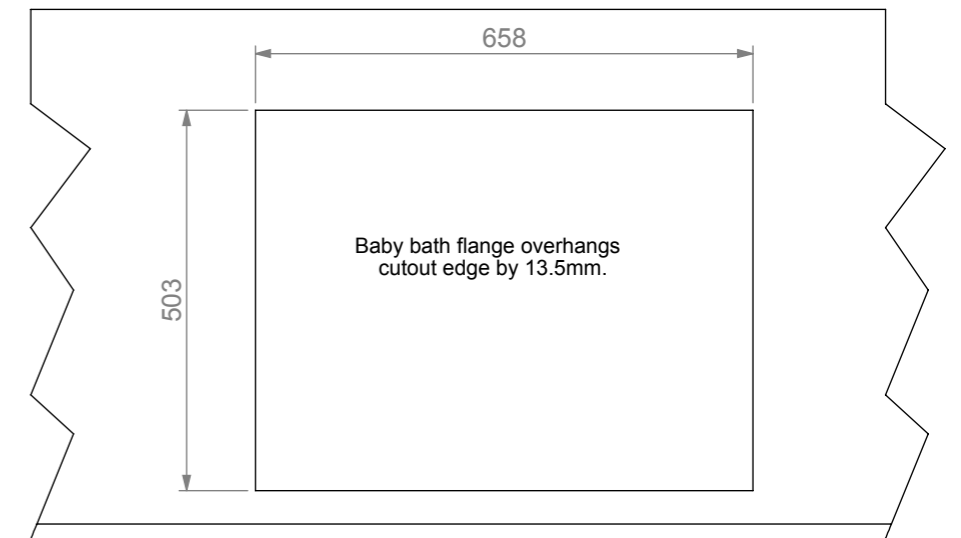
ISOMETRIC VIEW
(Baby bath in benchtop)



FRONT VIEW



END VIEW



BENCHTOP CUTOUT SIZE

Press:	Programmed by:	Date:	Punch:	Die:

STODDART
Manufacturing
TOM STODDART Pty Ltd ACN 009 690 251
215 Jackson Rd Sunnybank Hills Qld 4109
PO Box 420 Sunnybank Qld 4109
Phone (617) 3345 5011 Fax (617) 3344 1000
Email sunnybank@stoddart.com.au
Quality in stainless steel

PRODUCT:				PART No: SPPL BB DI-a001	
NAME	SIGNATURE	DATE	UNLESS OTHERWISE SPECIFIED: DIMENSIONS ARE IN MILLIMETERS	DESCRIPTION: General Drawing	
DRAWN J Pickels		21/08/2008			
APPVD			MATERIAL:	REVISION	
			THICKNESS:	A	
			FINISH:	DWG No: SPPL BB DI-d001	
DO NOT SCALE DRAWING			This drawing remains the property of Tom Stoddart Pty Ltd & cannot be reproduced without prior permission.		Sheet 1 of 3