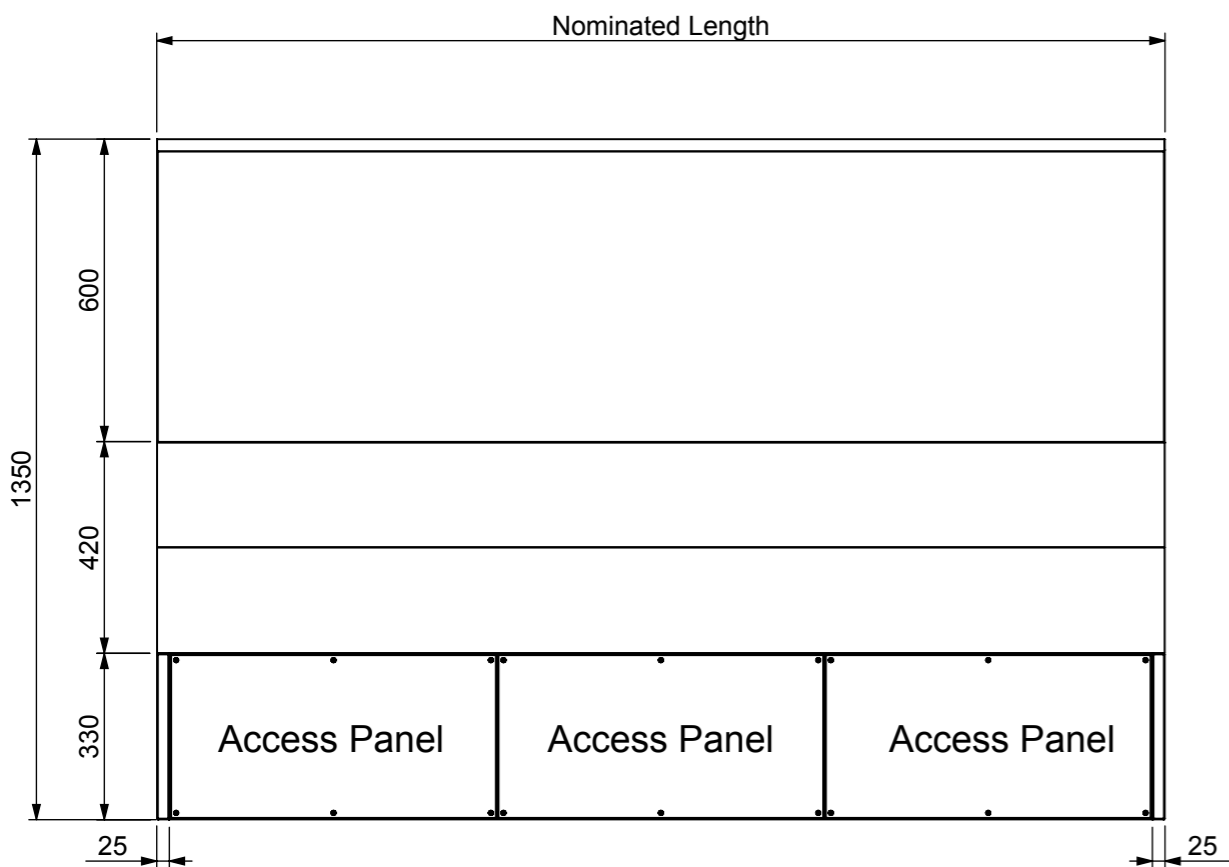


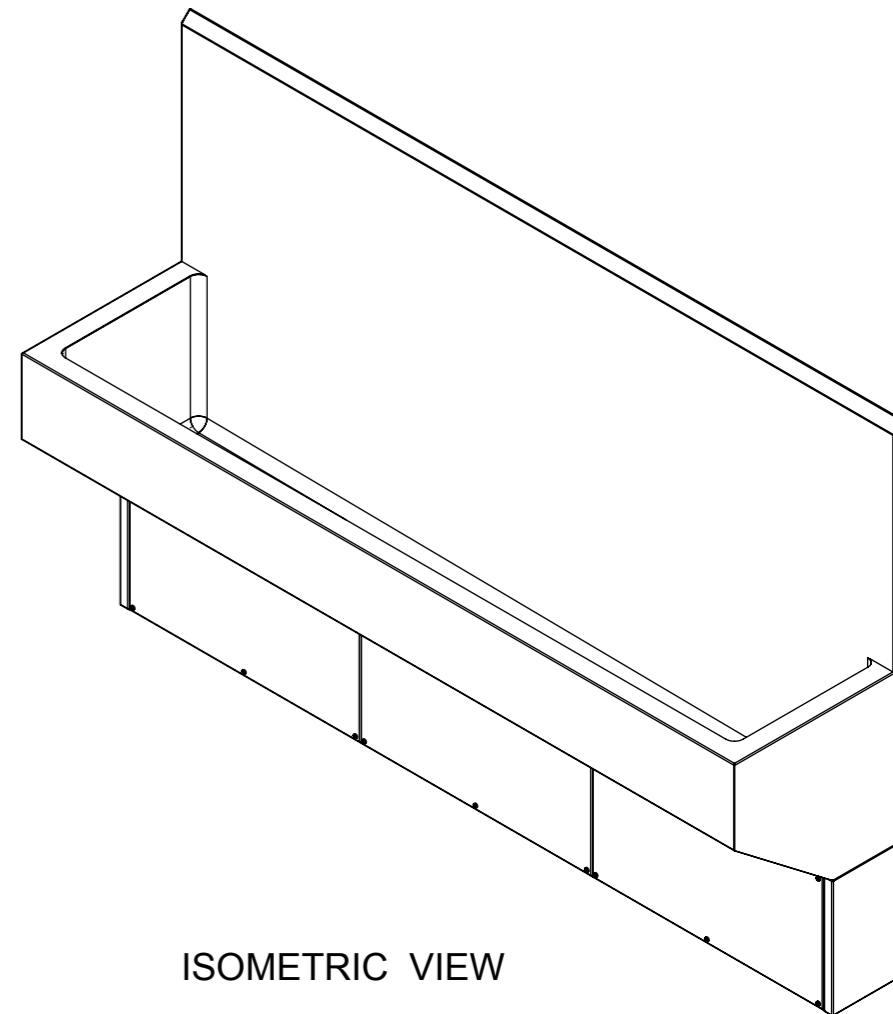
PLAN VIEW



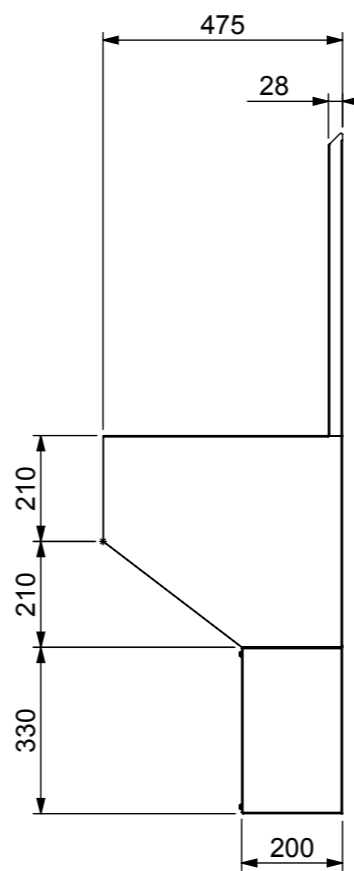
FRONT VIEW

R/H WASTE SHOWN

L/H WASTE WASTE AVAILABLE



ISOMETRIC VIEW



END VIEW

Product Details

Waste : 50mm

Press:	Programmed by:	Date:	Punch:	Die:



STODDART
Manufacturing
 TOM STODDART Pty Ltd ACN 009 690 251
 215 Jackson Rd Sunnybank Hills Qld 4109
 PO Box 420 Sunnybank Qld 4109
 Phone (617) 3345 5011 Fax (617) 3344 1000
 Email sunnybank@stoddart.com.au
Quality in stainless steel

PRODUCT: Scrub Up Trough - Floor Mounted				PART No: SPPL SUT F F XXXX	
NAME	SIGNATURE	DATE	UNLESS OTHERWISE SPECIFIED: DIMENSIONS ARE IN MILLIMETERS	DESCRIPTION: General Drawing	
DRAWN J Pickels		2/05/2008		REVISION	
APPVD			MATERIAL:	DWG No: SPPL SUT F F XXXX	
			THICKNESS:	A	
			FINISH:	Sheet 1 of 15	
DO NOT SCALE DRAWING			This drawing remains the property of Tom Stoddart Pty Ltd & cannot be reproduced without prior permission.		A3