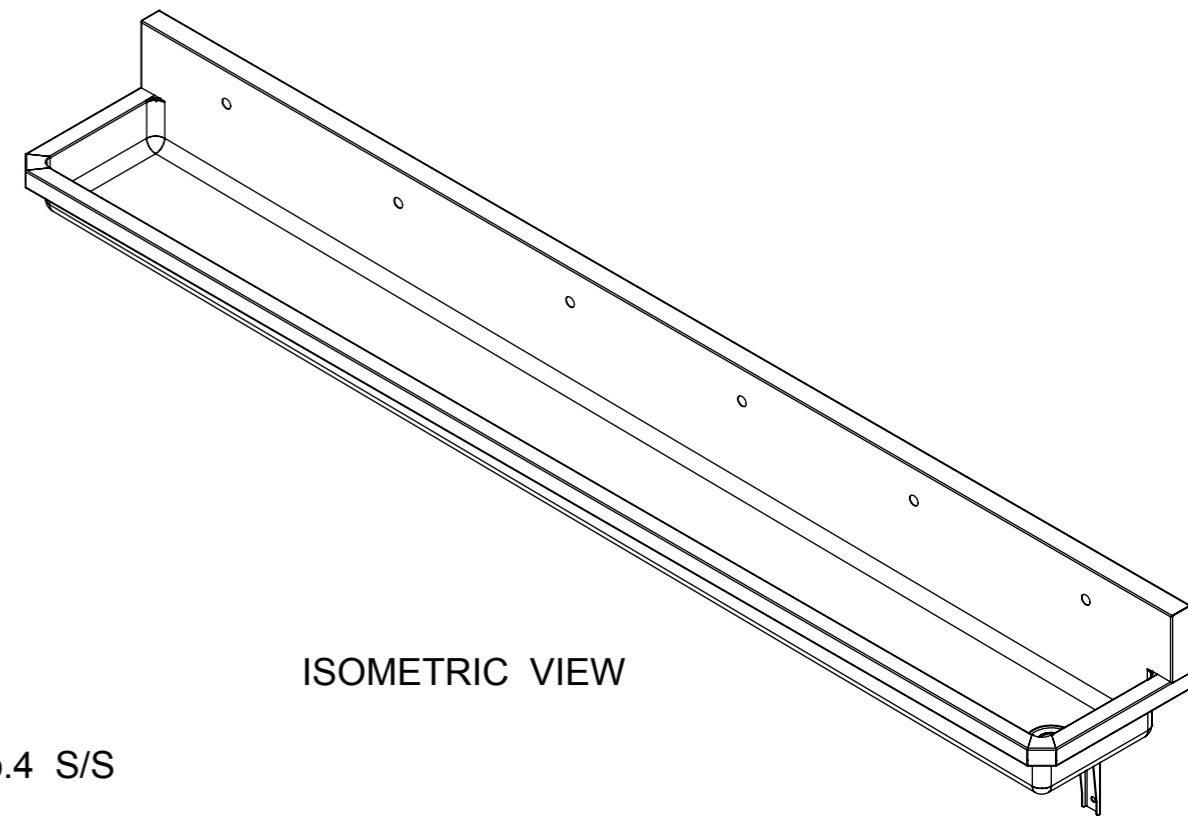
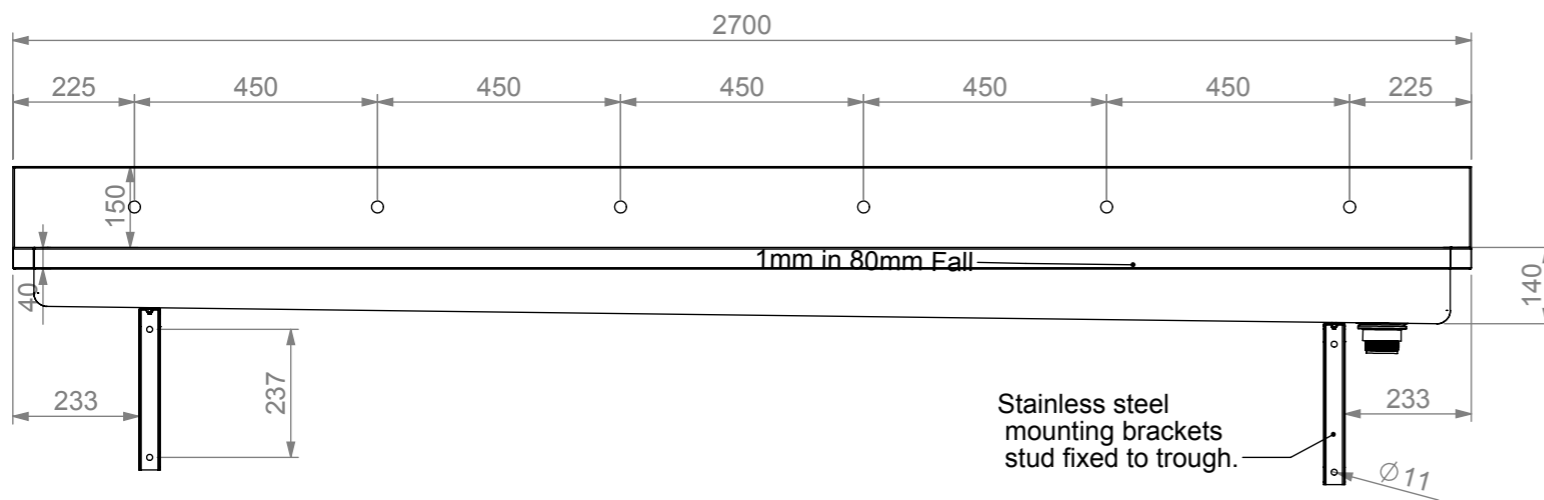


PLAN VIEW

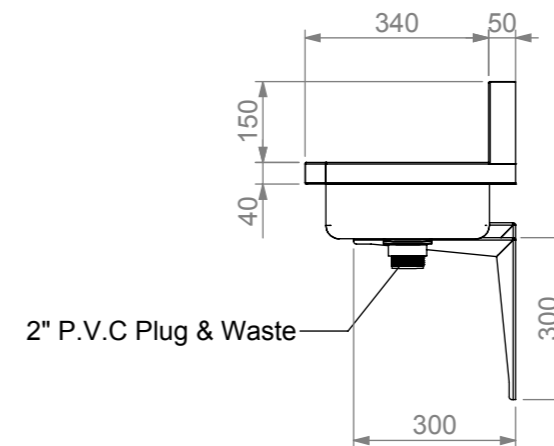


ISOMETRIC VIEW

**MATERIALS :** Trough - 1.2 304 No.4 S/S  
 Brackets - 2.0 304 No.4 S/S



FRONT VIEW



END VIEW

**R/H WASTE SHOWN**

L/H WASTE & CENTRE WASTE AVAILABLE



**STODDART  
 MANUFACTURING**  
 TOM STODDART Pty Ltd ACN 009 690 251  
 149 Jackson Rd Sunnybank Hills Qld 4109  
 PO Box 420 Sunnybank Qld 4109  
 Phone (617) 3345 5011 Fax (617) 3344 1000  
 Email sunnybank@stoddart.com.au  
*Quality in stainless steel*

DRAWN J Pickels				SIGNATURE		DATE 14/04/2010		UNLESS OTHERWISE SPECIFIED: DIMENSIONS ARE IN MILLIMETERS		PART No: <b>SPPL-WT-S7-WM-R-2700 Rev A</b>	
APPVD				MATERIAL:		THICKNESS:		FINISH:		DESCRIPTION: General Drawing	
Weight: 23.88 kg Surface Area: 4.91 M2				DO NOT SCALE DRAWING		This drawing remains the property of Tom Stoddart Pty Ltd & cannot be reproduced without prior permission.		A3		DWG No: SPPL-WT-S7-WM-R-2700 Rev A	
										Dwg. Issue <b>1</b>	
										Sheet 1 of 7	