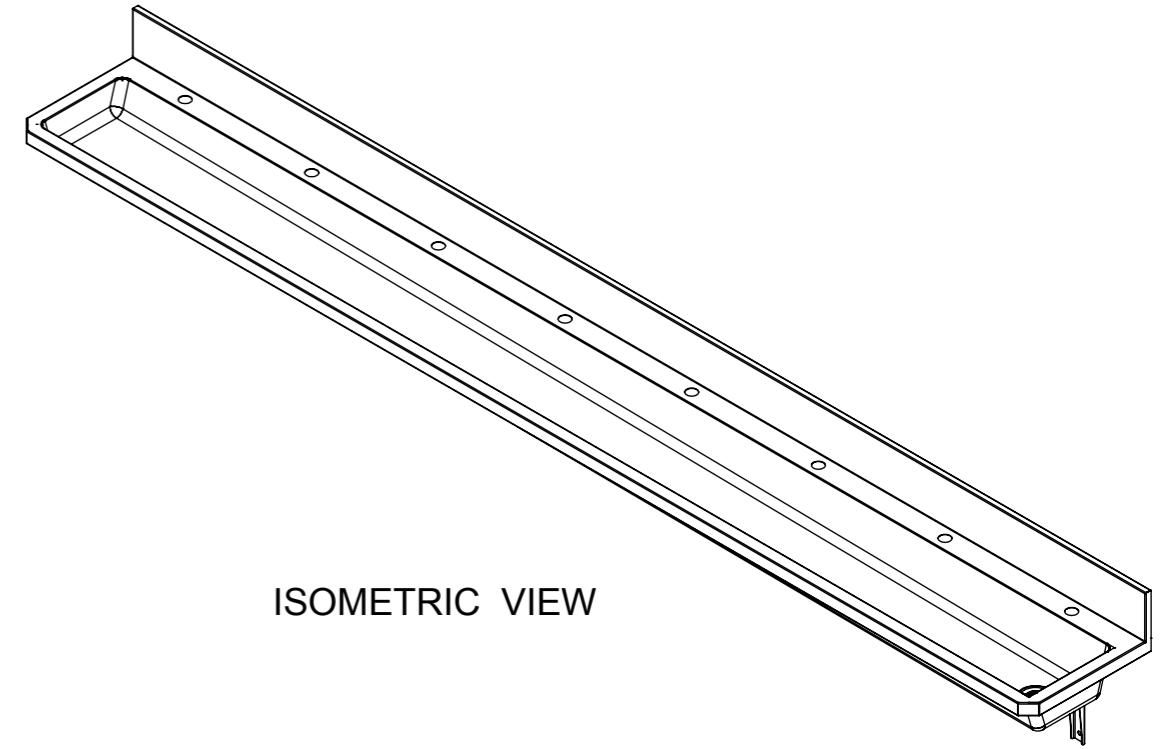
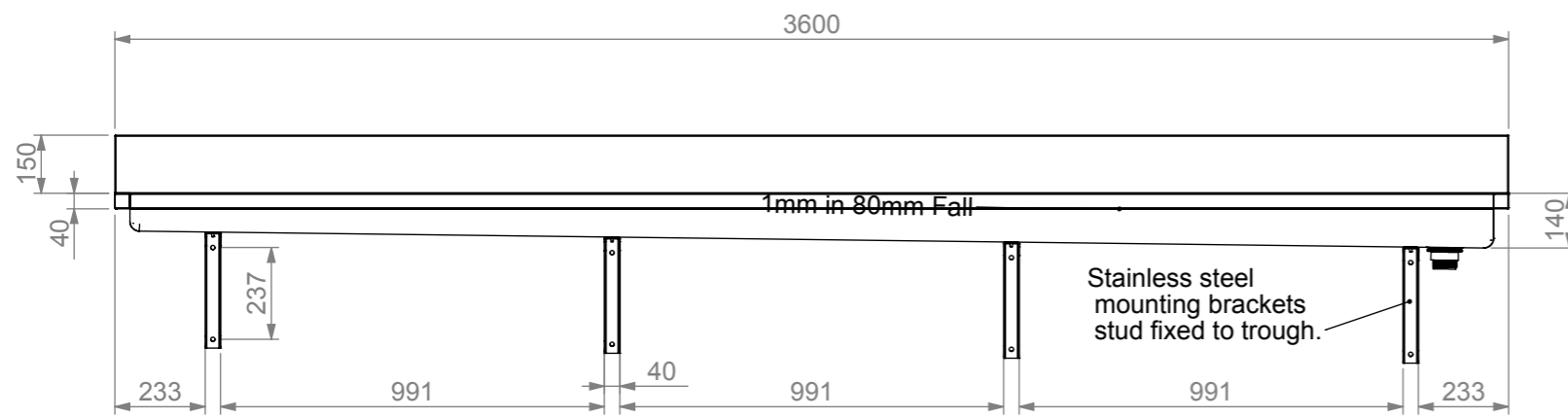


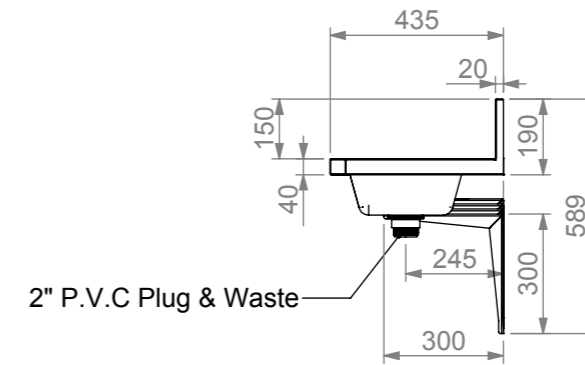
PLAN VIEW



ISOMETRIC VIEW



FRONT VIEW



END VIEW

R/H WASTE SHOWN


L/H WASTE & CENTRE WASTE AVAILABLE



**STODDART
MANUFACTURING**

TOM STODDART Pty Ltd ACN 009 690 251
149 Jackson Rd Sunnybank Hills Qld 4109
PO Box 420 Sunnybank Qld 4109
Phone (617) 3345 5011 Fax (617) 3344 1000
Email sunnybank@stoddart.com.au

Quality in stainless steel

				PART No: SPPL-WT-S5-WM-R-3600	
DRAWN	J Pickels	SIGNATURE	DATE	UNLESS OTHERWISE SPECIFIED: DIMENSIONS ARE IN MILLIMETERS	DESCRIPTION: Wash Trough S5 Wall Mounted
APPVD				MATERIAL:	
Weight: 6.68 kg				THICKNESS:	
Surface Area: 6.46 M2				FINISH:	
DO NOT SCALE DRAWING			This drawing remains the property of Tom Stoddart Pty Ltd & cannot be reproduced without prior permission.		DWG No: SPPL-WT-S5-WM-R-3600
				A3	Sheet 1 of 8

Dwg. Issue
2