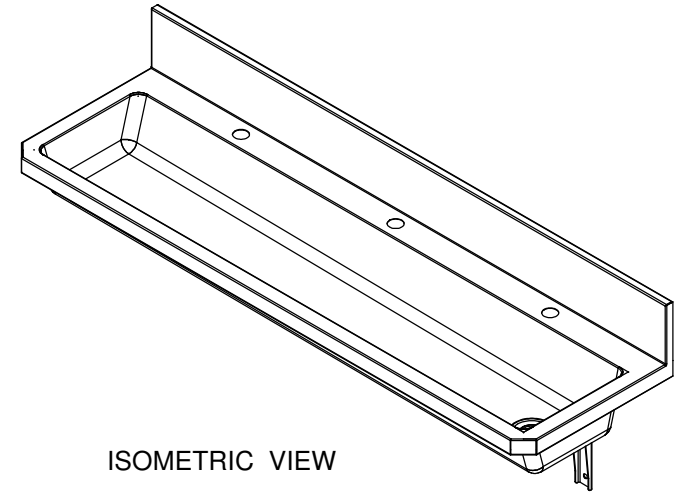
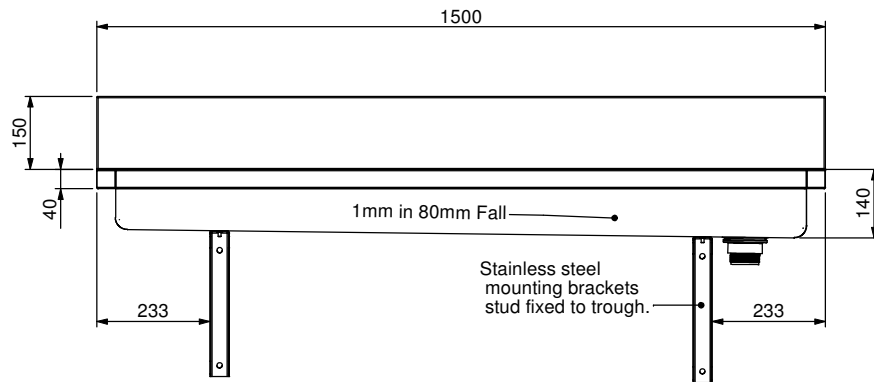


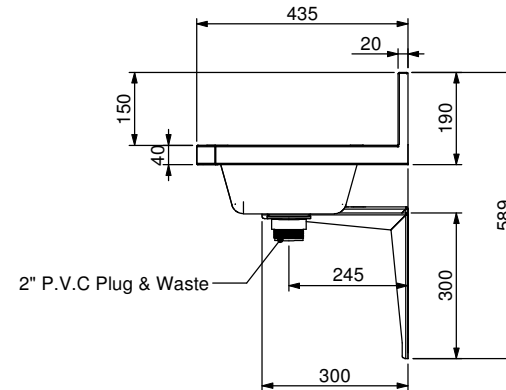
PLAN VIEW



ISOMETRIC VIEW



FRONT VIEW



END VIEW

R/H WASTE SHOWN

L/H WASTE & CENTRE WASTE AVAILABLE

STODDART
Manufacturing
 TOM STODDART Pty Ltd ACN 009 690 251
 215 Jackson Rd Sunnybank Hills Qld 4109
 PO Box 420 Sunnybank Qld 4109
 Phone (617) 3345 5011 Fax (617) 3344 1000
 Email sunnybank@stoddart.com.au
Quality in stainless steel

Press:		Programmed by:		Date:	Punch:	Die:	
PRODUCT: Wash Trough S5 - Hob Mounted Taps				PART No: SPPL WT S5 WM R 1500			
DRAWN	J Pickels	SIGNATURE	DATE	UNLESS OTHERWISE SPECIFIED: DIMENSIONS ARE IN MILLIMETERS		DESCRIPTION: Wash Trough S5 Wall Mounted	
APPVD				MATERIAL:		REVISION	
				THICKNESS:		DWG No: SPPL WT S5 WM R 1500	
				FINISH:		A	
DO NOT SCALE DRAWING		This drawing remains the property of Tom Stoddart Pty Ltd & cannot be reproduced without prior permission.				A3	Sheet 1 of 1