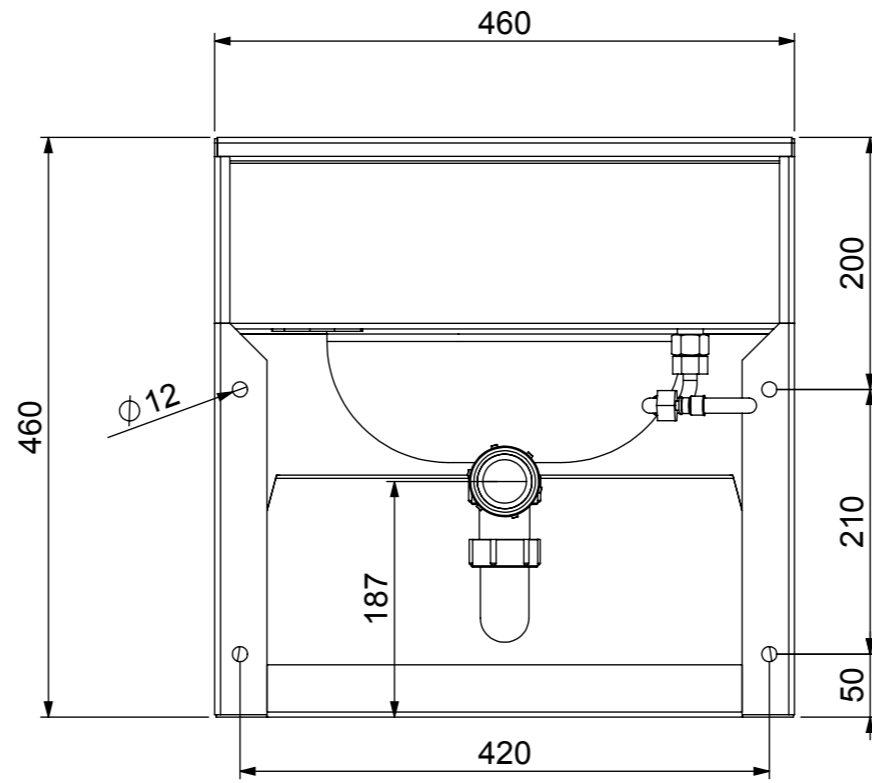
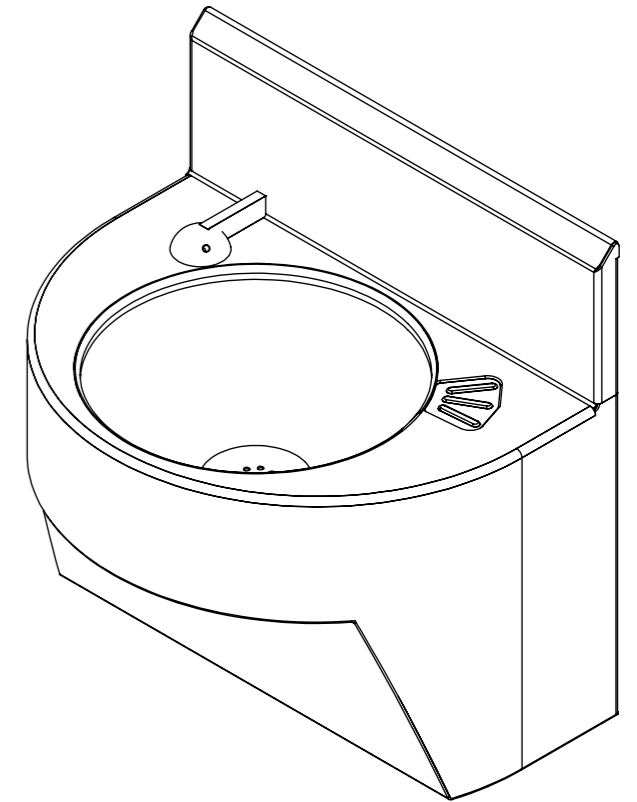


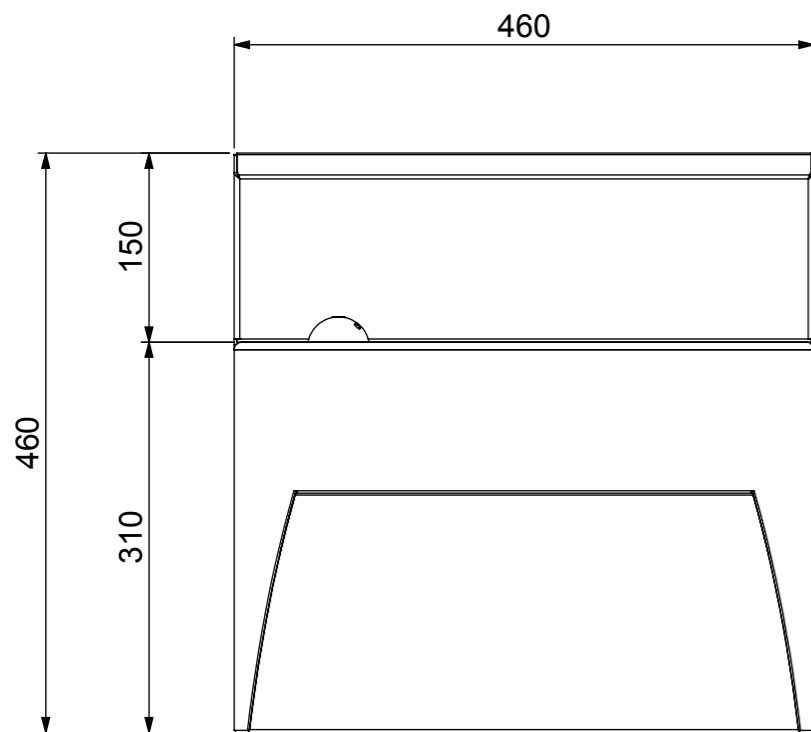
PLAN VIEW



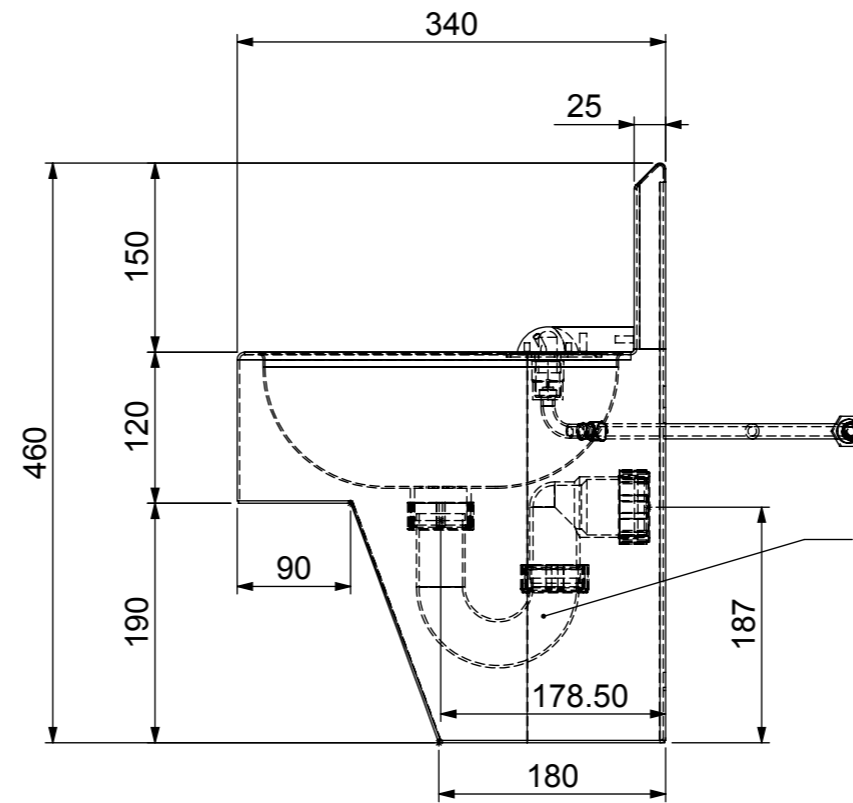
REAR VIEW



ISOMETRIC VIEW



FRONT VIEW



END VIEW

40mm Low Level P Trap-Compression Joint.  
(Iplex Pipelines - Code: T01240)  
(Not supplied with basin, shown for illustration only.)

ALL EXTERNAL STAINLESS STEEL PANELS ARE 2.0mm THICK.



**STODDART  
MANUFACTURING**

TOM STODDART Pty Ltd ACN 009 690 251  
149 Jackson Rd Sunnybank Hills Qld 4109  
PO Box 420 Sunnybank Qld 4109  
Phone (617) 3345 5011 Fax (617) 3344 1000  
Email sunnybank@stoddart.com.au

Quality in stainless steel

				PART No: <b>SPPL-WB-SR2-WM-NB-T340-VAR-A001</b>	
NAME	SIGNATURE	DATE	UNLESS OTHERWISE SPECIFIED: DIMENSIONS ARE IN MILLIMETERS		DESCRIPTION: Wash Basin;Round;Wall Mount;
DRAWN J Pickels		19/05/2009			
APPVD			MATERIAL:		
Weight: 10.88 kg			THICKNESS:		
Surface Area: 1.53 M2			FINISH:		
DO NOT SCALE DRAWING			This drawing remains the property of Tom Stoddart Pty Ltd & cannot be reproduced without prior permission.		DWG No: SPPL-WB-SR2-WM-NB-T340-VAR-D001
			A3		Sheet 1 of 6

Dwg. Issue  
**2**