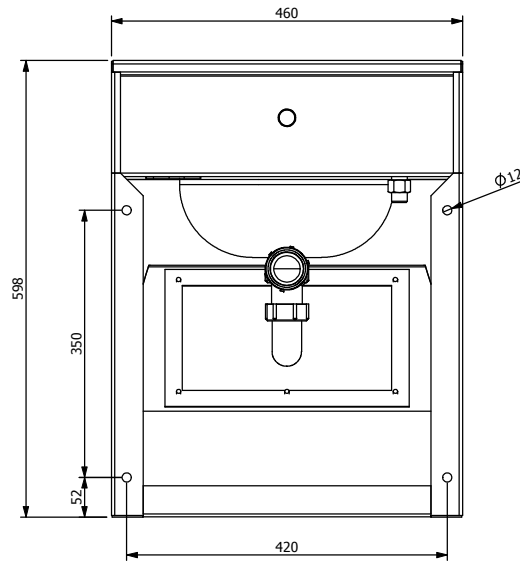
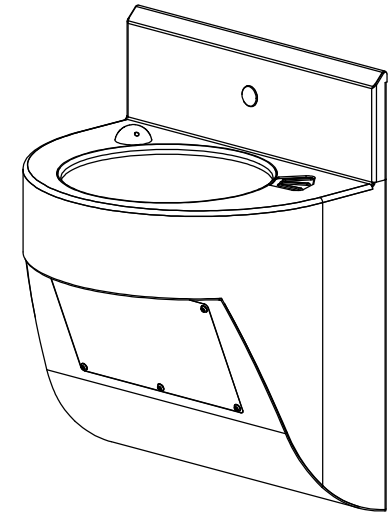


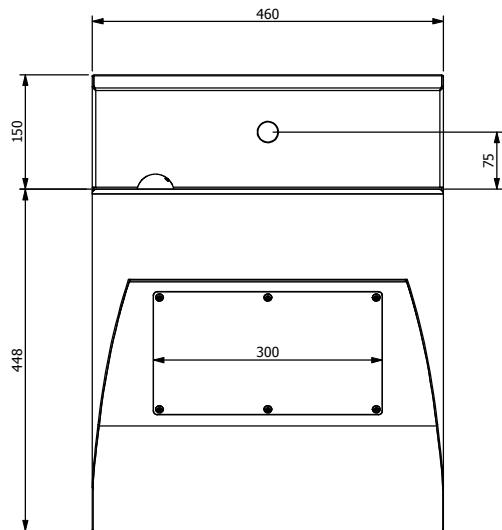
PLAN VIEW



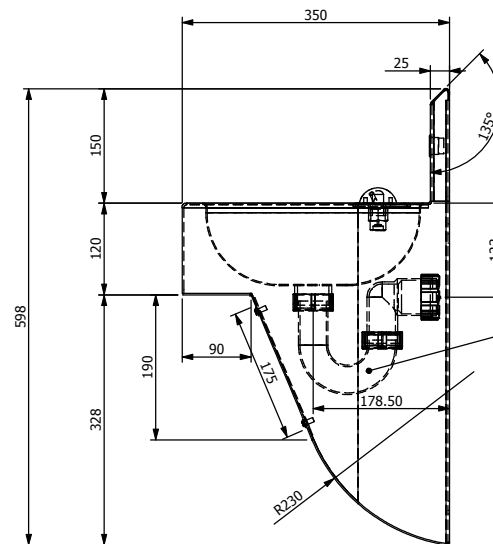
REAR VIEW



ISOMETRIC VIEW



FRONT VIEW



END VIEW

40mm Low Level P Trap-Compression Joint.
(Iplex Pipelines - Code: T01240)
(Not supplied with basin, shown for illustration only.)

Press:	Programmed by:	Date:	Punch:	Die:
--------	----------------	-------	--------	------

STODDART
Manufacturing
TOM STODDART Pty Ltd ACN 009 690 251
215 Jackson Rd Sunnybank Hills Qld 4109
PO Box 420 Sunnybank Qld 4109
Phone (617) 3345 5011 Fax (617) 3344 1000
Email sunnybank@stoddart.com.au
Quality in stainless steel

PRODUCT: Wash Basin-Security-Round-2-WM				PART No: SPPL-WB-SR2-WM-FA-HD-T350-A001	
NAME	SIGNATURE	DATE	UNLESS OTHERWISE SPECIFIED: DIMENSIONS ARE IN MILLIMETERS		
DRAWN J Pickels		18/05/2009	DESCRIPTION: General Drawing		
APPVD			MATERIAL:		REVISION
			THICKNESS:		
			FINISH:		
DO NOT SCALE DRAWING		This drawing remains the property of Tom Stoddart Pty Ltd & cannot be reproduced without prior permission.			A3
					Sheet 1 of 8