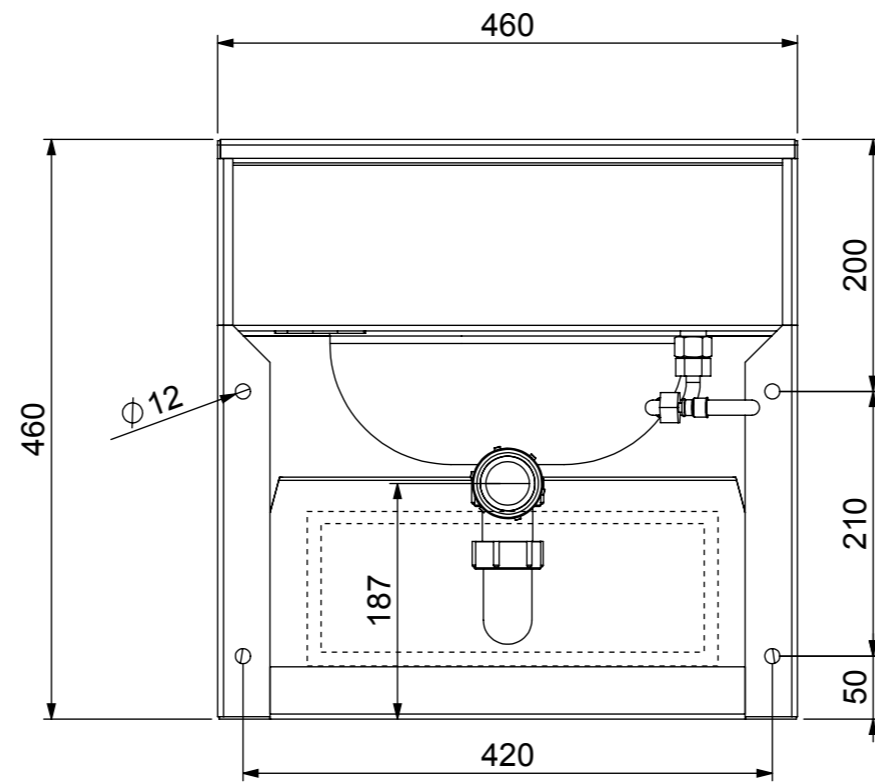
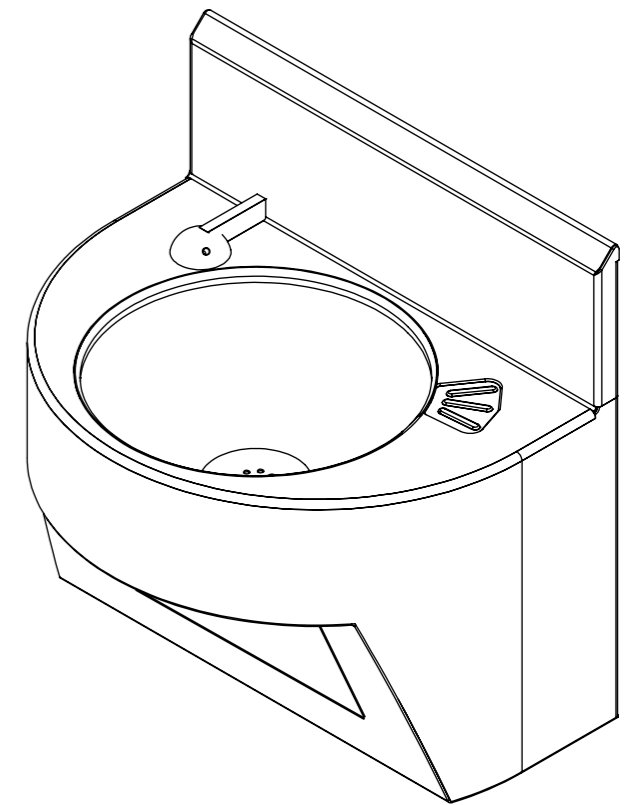


Button LHS

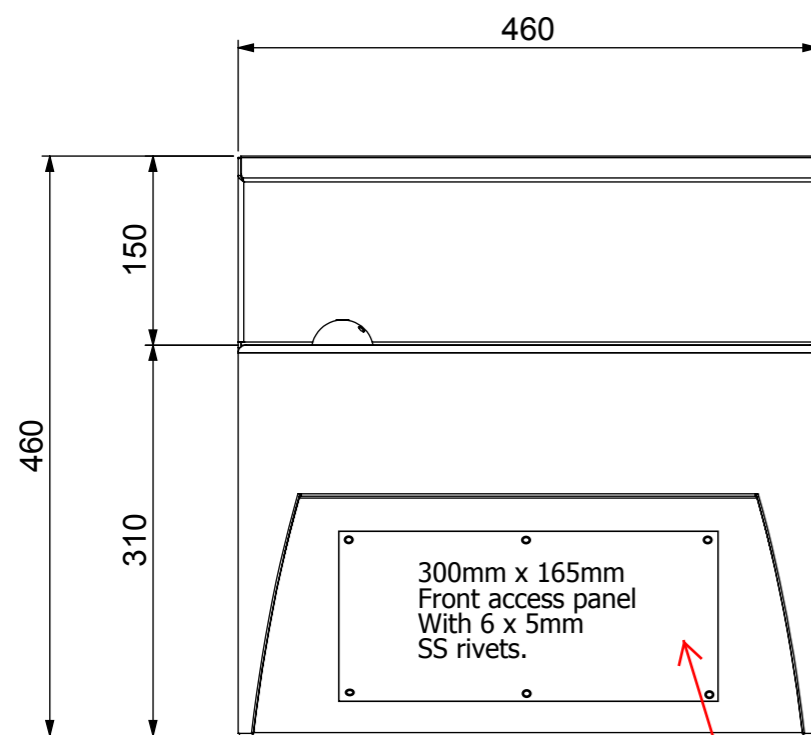
PLAN VIEW



REAR VIEW

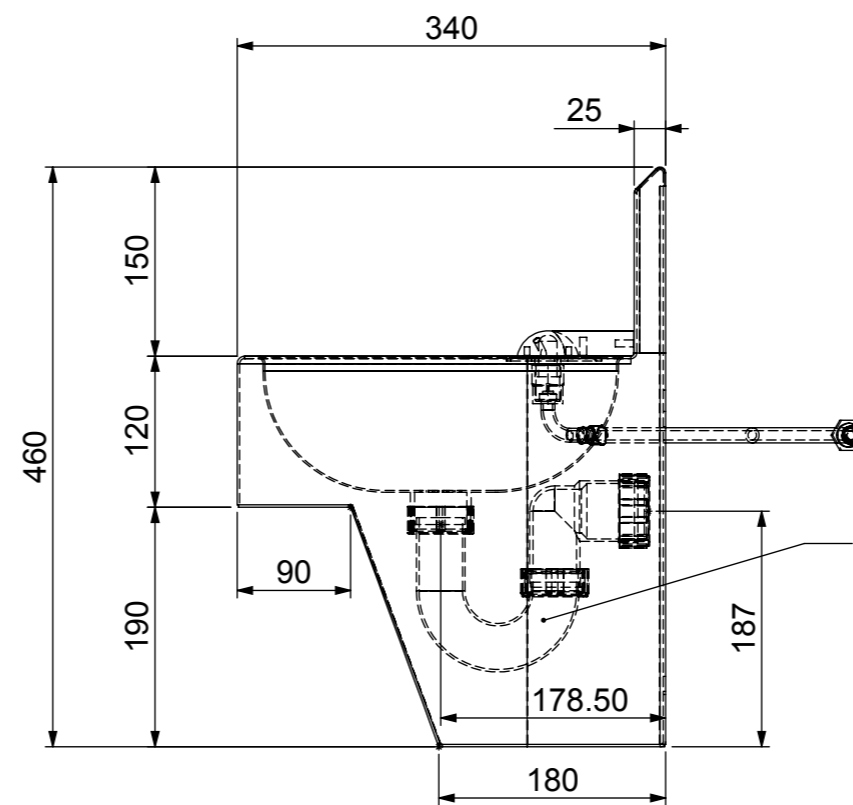


ISOMETRIC VIEW



FRONT VIEW

Optional Front Access Panel



END VIEW

40mm Low Level P Trap-Compression Joint.
(Iplex Pipelines - Code: T01240)
(Not supplied with basin, shown for illustration only.)

ALL EXTERNAL STAINLESS STEEL PANELS ARE 2.0mm THICK.

MSSB = Manual Secure Side Button
ESB = Electronic Side Button
NB = No Button (Water Valve operated by remote button)



**STODDART
MANUFACTURING**
TOM STODDART Pty Ltd ACN 009 690 251
149 Jackson Rd Sunnybank Hills Qld 4109
PO Box 420 Sunnybank Qld 4109
Phone (617) 3345 5011 Fax (617) 3344 1000
Email sunnybank@stoddart.com.au
Quality in stainless steel

DRAWN J Pickels				NAME	SIGNATURE	DATE	UNLESS OTHERWISE SPECIFIED: DIMENSIONS ARE IN MILLIMETERS	PART No: SPPL-WB-SR2-WM-FA-VAR-A001
APPVD							MATERIAL:	DESCRIPTION: WASH BASIN, ROUTING, WITH MOUNTING, ELECTRONIC; WA
Weight: 10.88 kg Surface Area: 1.53 M2				DO NOT SCALE DRAWING			THICKNESS: FINISH:	DWG No: SPPL-WB-SR2-WM-FA-VAR
This drawing remains the property of Tom Stoddart Pty Ltd & cannot be reproduced without prior permission.							A3	Dwg. Issue 2 B
Sheet 1 of 6								