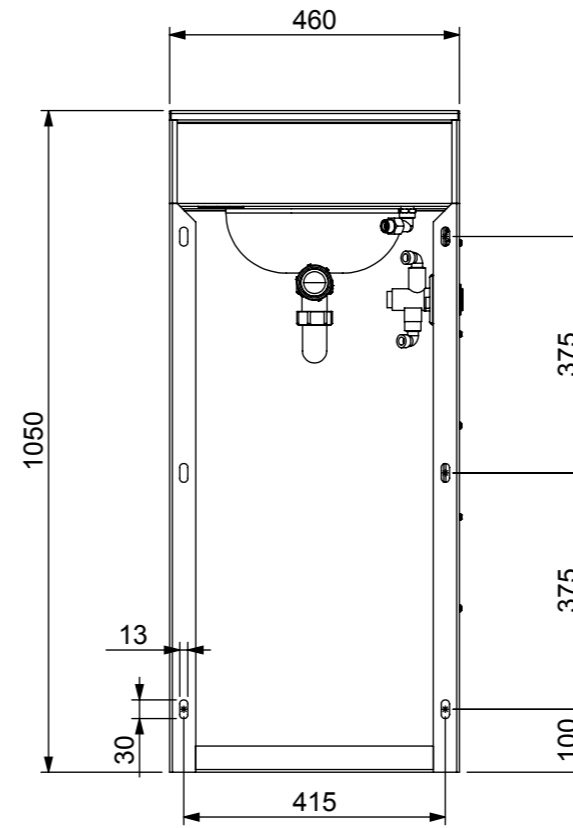
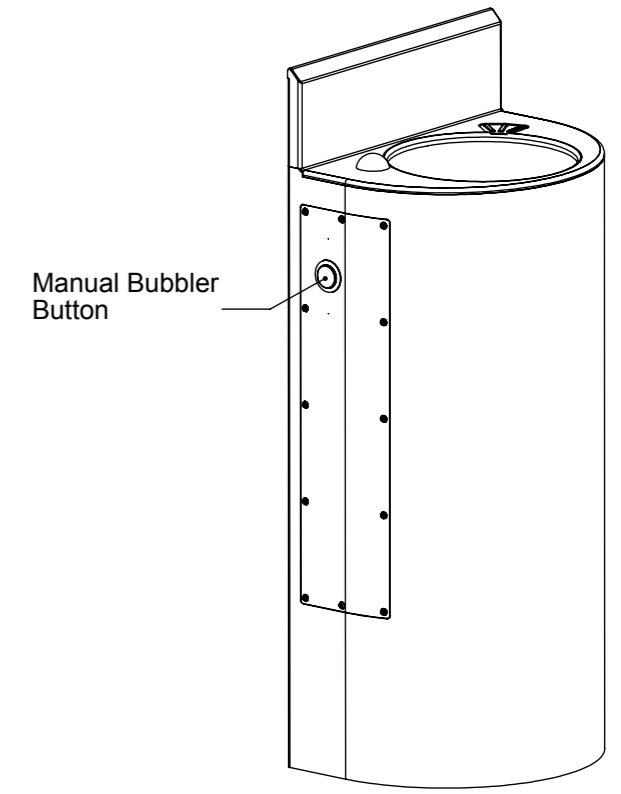


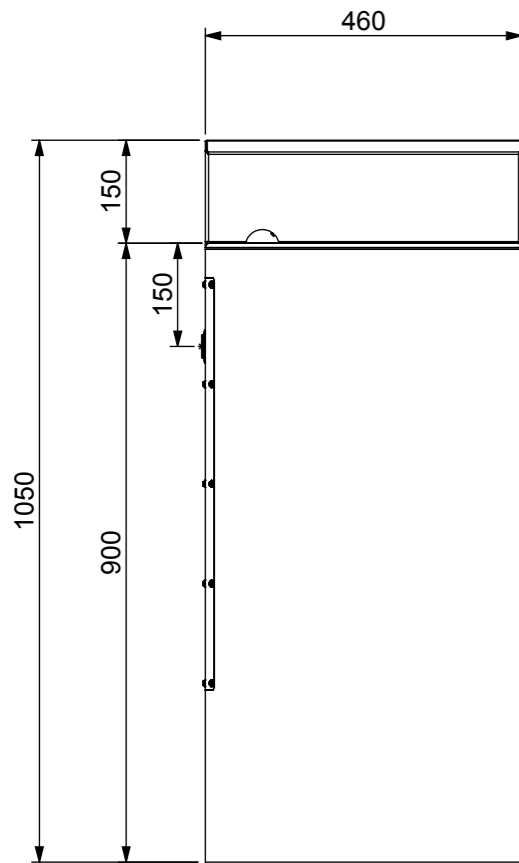
PLAN VIEW



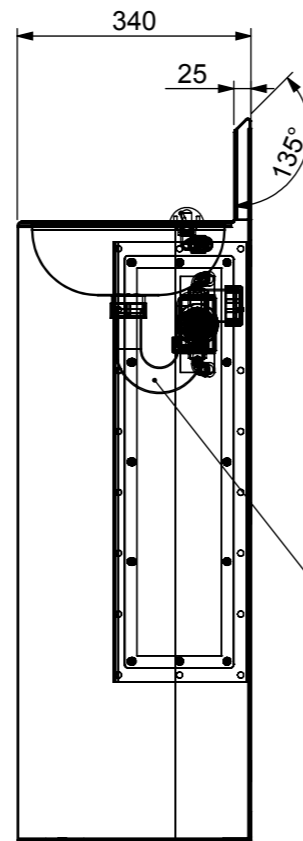
REAR VIEW



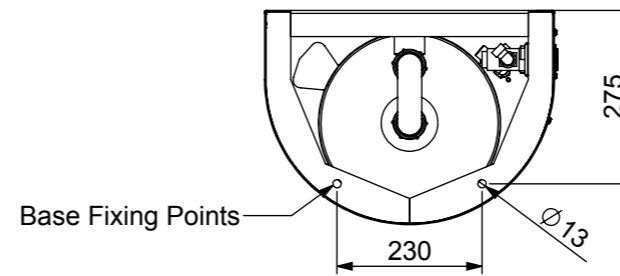
ISOMETRIC VIEW



FRONT VIEW

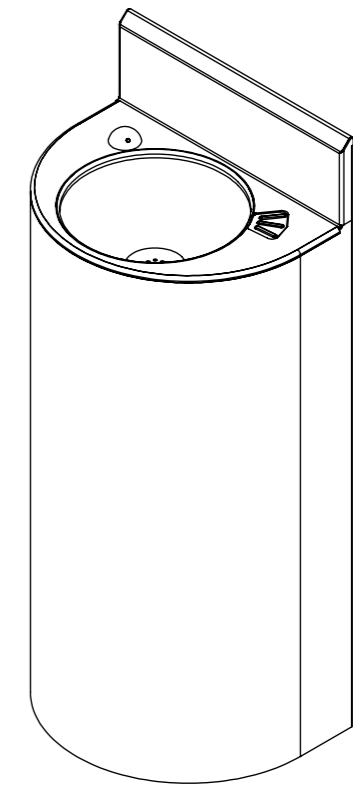


END VIEW



UNDERSIDE VIEW

40mm Low Level P Trap-Compression Joint.  
(Iplex Pipelines - Code: T01240)  
(Not supplied with basin, shown for illustration only.)



ISOMETRIC VIEW

**ALL STAINLESS STEEL PANELS ARE 2.0mm THICK.**


REVISION TABLE

REV.	REVISED BY	DATE	REVISION DESCRIPTION	STATUS
A	J Pickels	23/03/2010		For Manufacture
B	J Pickels	01/02/2011	Material changed from 1.5 to 2.0 on all parts. Parts 001,003,004,005 changed	For Manufacture



**STODDART MANUFACTURING**

TOM STODDART Pty Ltd ACN 009 690 251  
149 Jackson Rd Sunnybank Hills Qld 4109  
PO Box 420 Sunnybank Qld 4109  
Phone (617) 3345 5011 Fax (617) 3344 1000  
Email sunnybank@stoddart.com.au  
*Quality in stainless steel*

DRAWN: J Pickels				DATE: 22/03/2010	UNLESS OTHERWISE SPECIFIED: DIMENSIONS ARE IN MILLIMETERS	PART No: <b>SPPL-WB-SR2-FM-M Rev B</b>	
APPVD:				MATERIAL:		DESCRIPTION: Security Wash Basin - Round Floor Mounted	
Weight: 22.49 kg Surface Area: 2.94 M2					THICKNESS:	DWG No: SPPL-WB-SR2-FM-M Rev B	
DO NOT SCALE DRAWING					This drawing remains the property of Tom Stoddart Pty Ltd & cannot be reproduced without prior permission.		A3