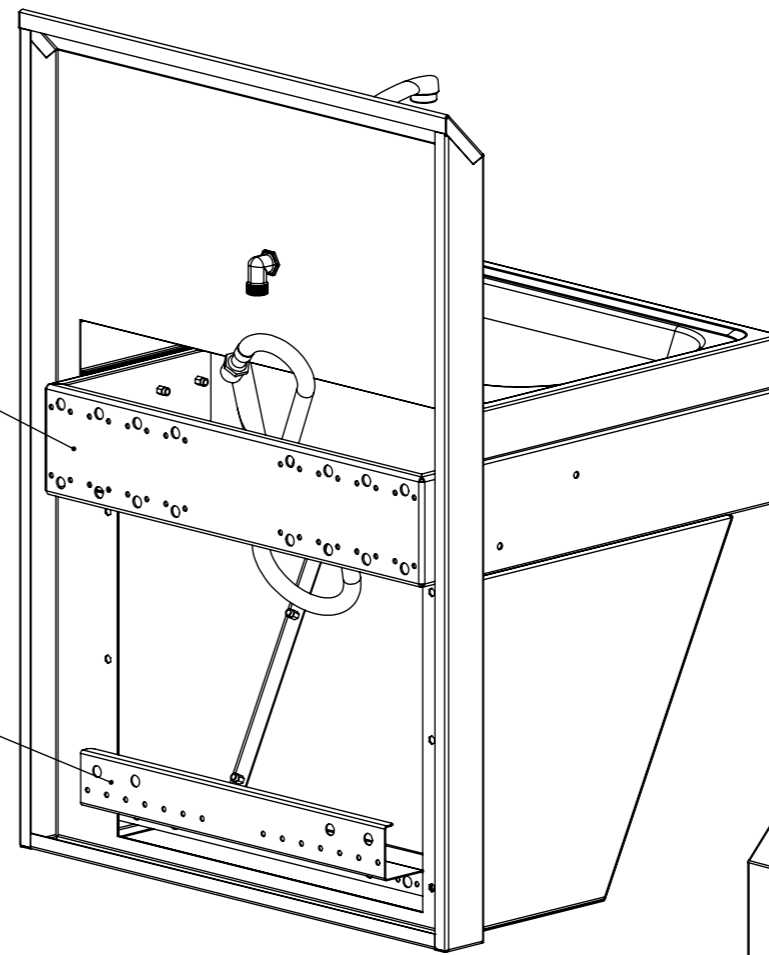
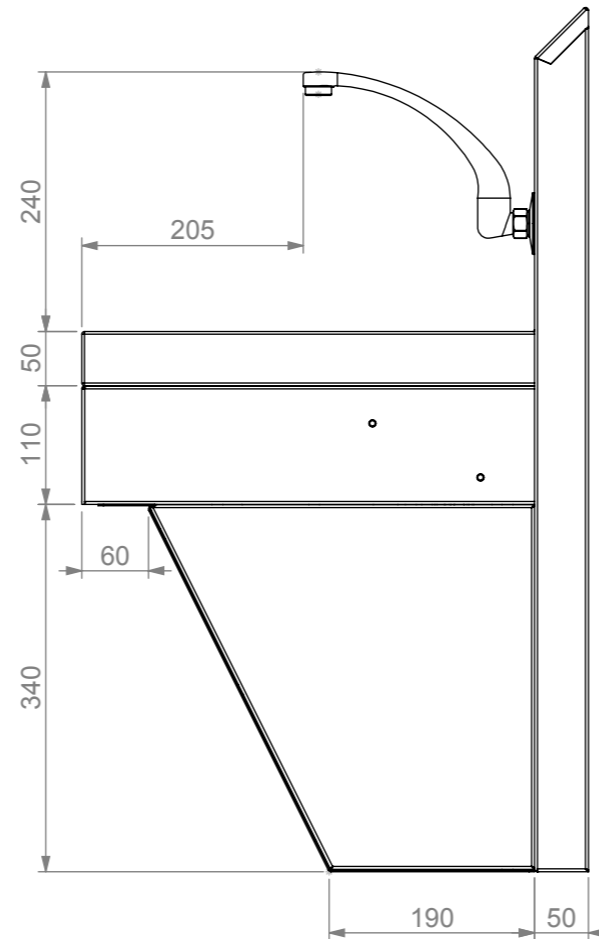
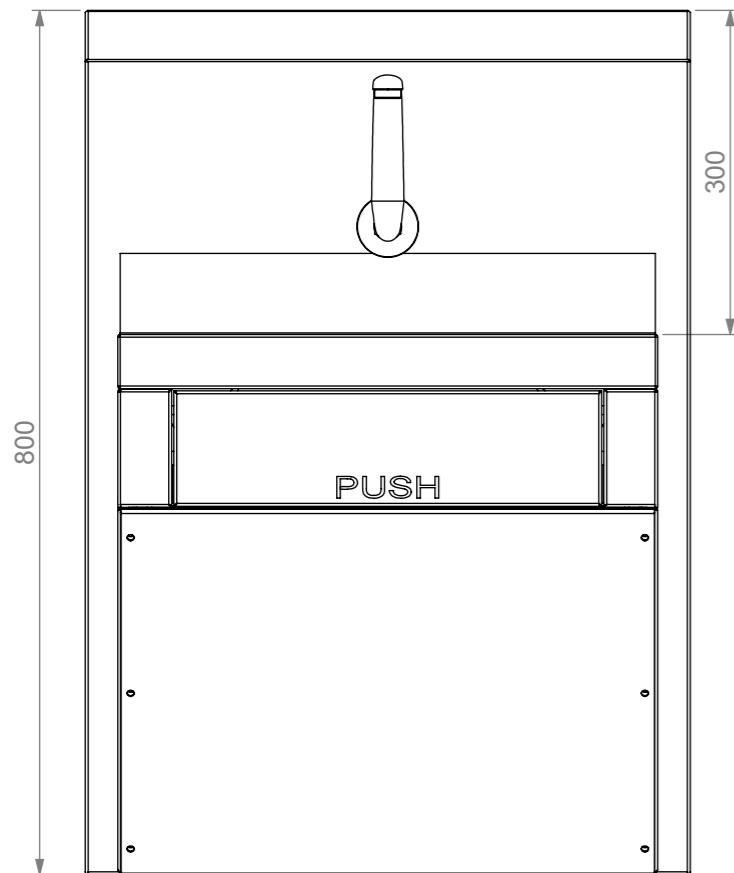


Removable mounting bracket

Fixed mounting bracket

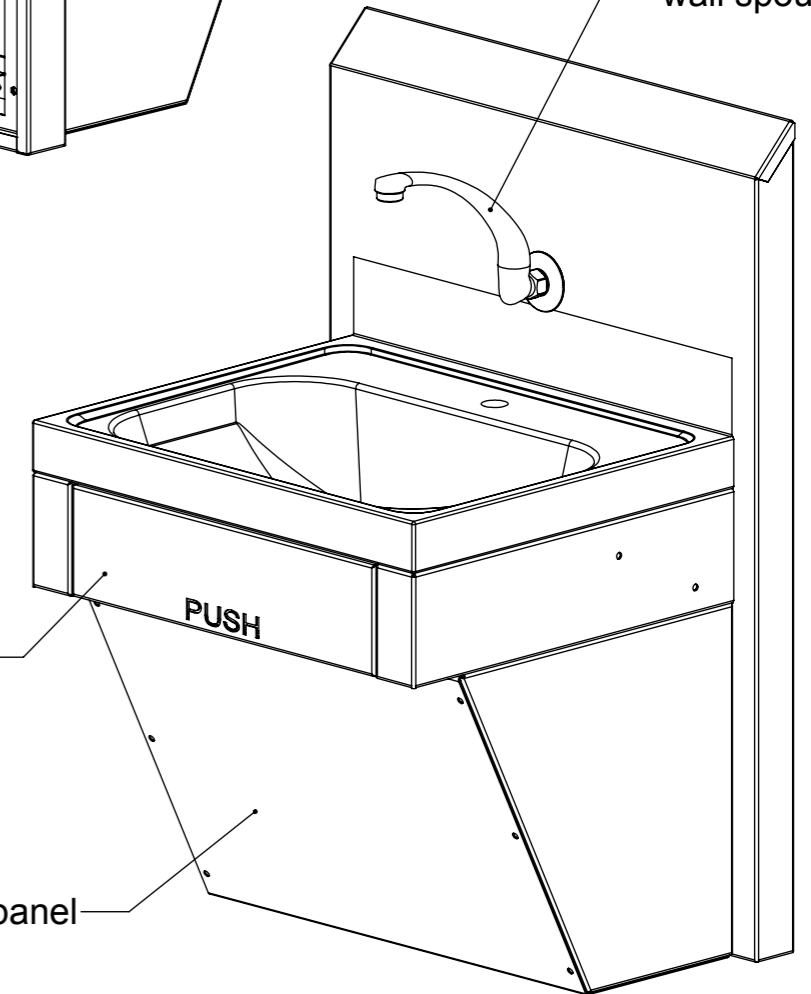


Chrome-plated wall spout



Push-flap to operate timed water valve

Removable access panel



Press:	Programmed by:	Date:	Punch:	Die:

**STODDART MANUFACTURING**  
 TOM STODDART Pty Ltd ACN 009 690 251  
 215 Jackson Rd Sunnybank Hills Qld 4109  
 P.O. Box 420 Sunnybank Qld 4109  
 Phone: (617) 3344 2444 Fax: (617) 3344 6403  
 Email: sunnybank@stoddart.com.au  
*Quality in stainless steel*

PRODUCT: Wash Basin Knee Operated Concealed S'back

PART No: **SPPL-WB-KO3-A001**

UNLESS OTHERWISE SPECIFIED: DIMENSIONS ARE IN MILLIMETERS

DESCRIPTION: General Drawing

DRAWN M Sheehan

SIGNATURE

DATE

29/06/2009

APPVD

MATERIAL:

Weight: 183673.99 kg

Surface Area: 7079096.95 M2

THICKNESS:

FINISH:

DWG No: **SPPL-WB-KO3-D001**

REVISION

**C**

DO NOT SCALE DRAWING

This drawing remains the property of Tom Stoddart Pty Ltd & cannot be reproduced without prior permission.

A3

Sheet 1 of 6