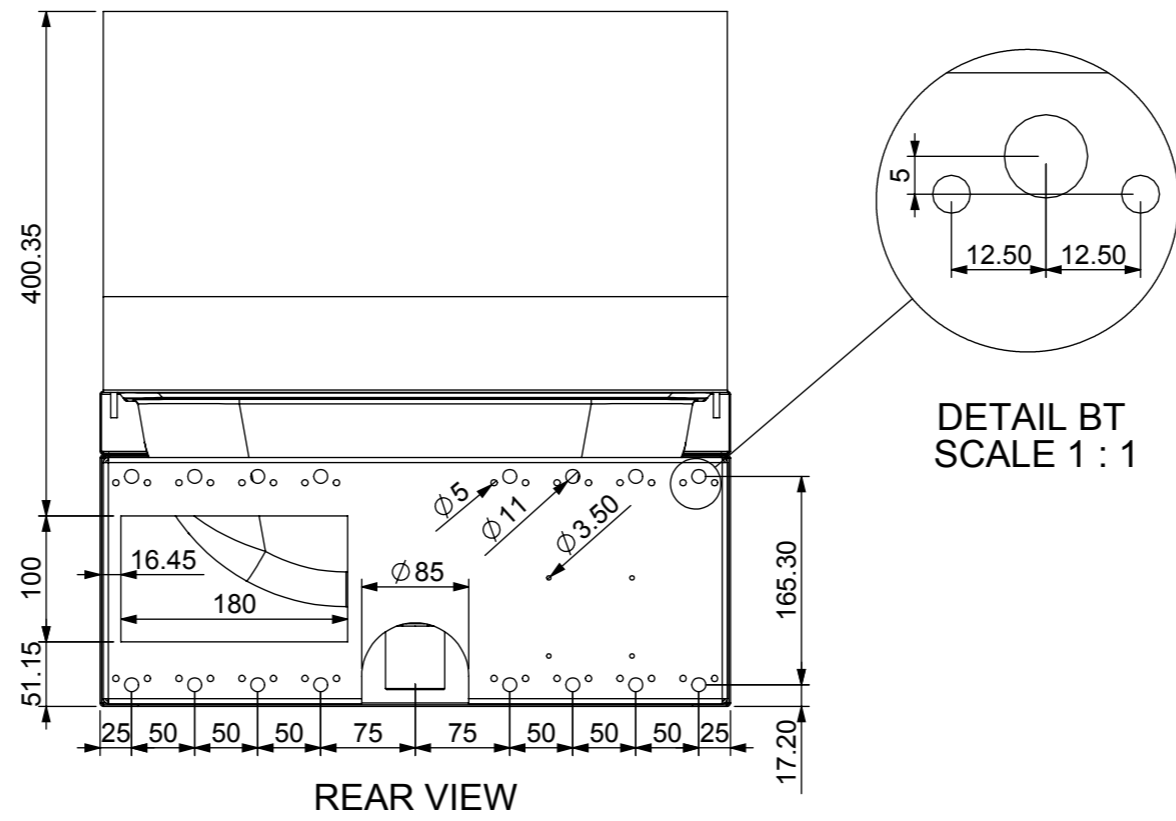
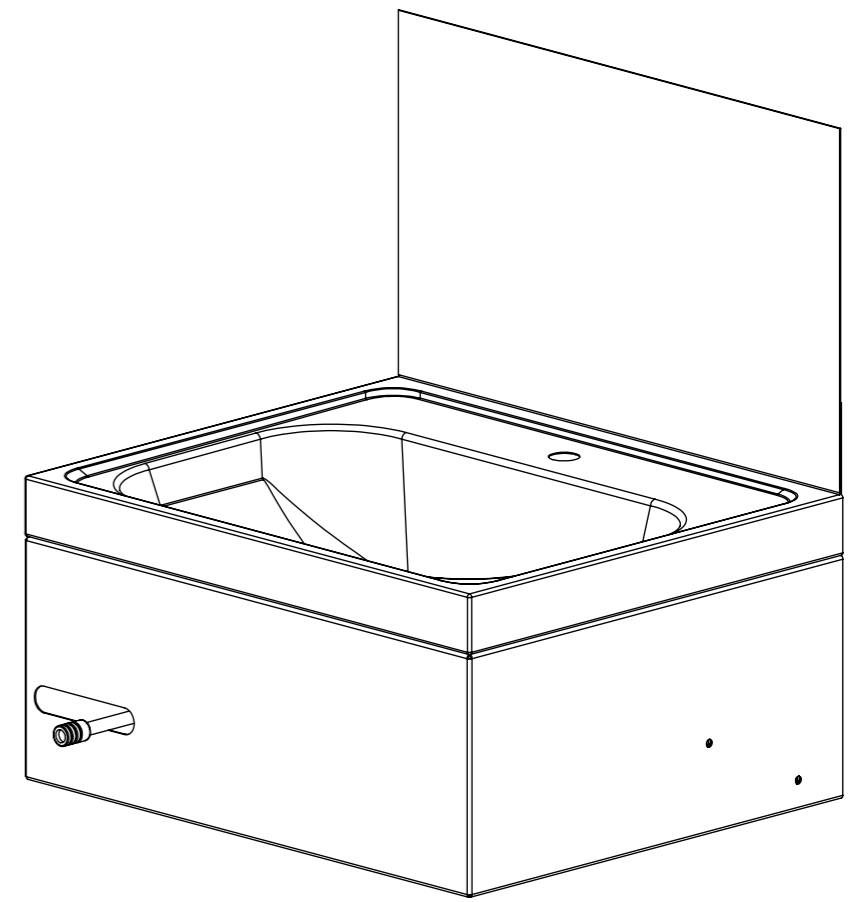


PLAN VIEW

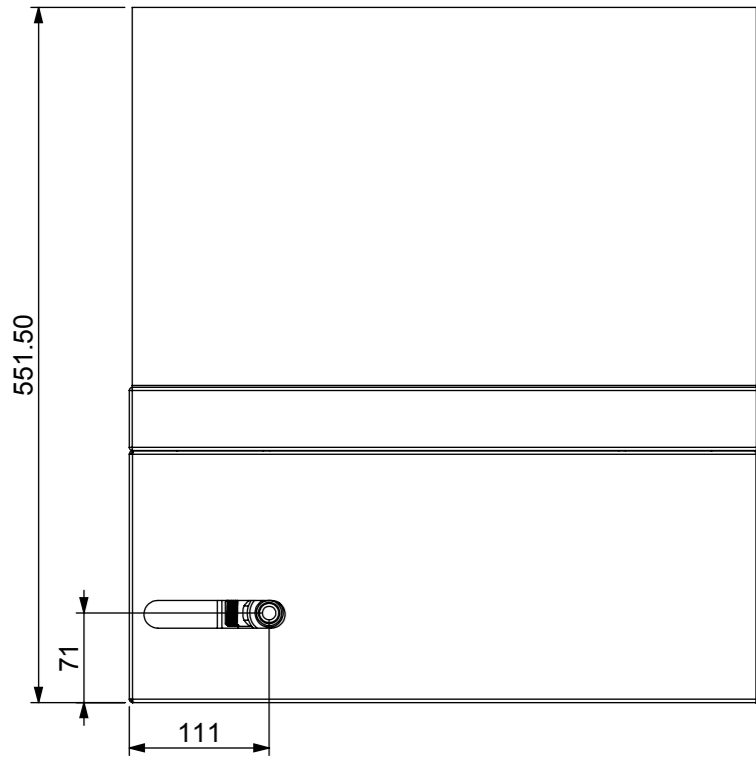


REAR VIEW

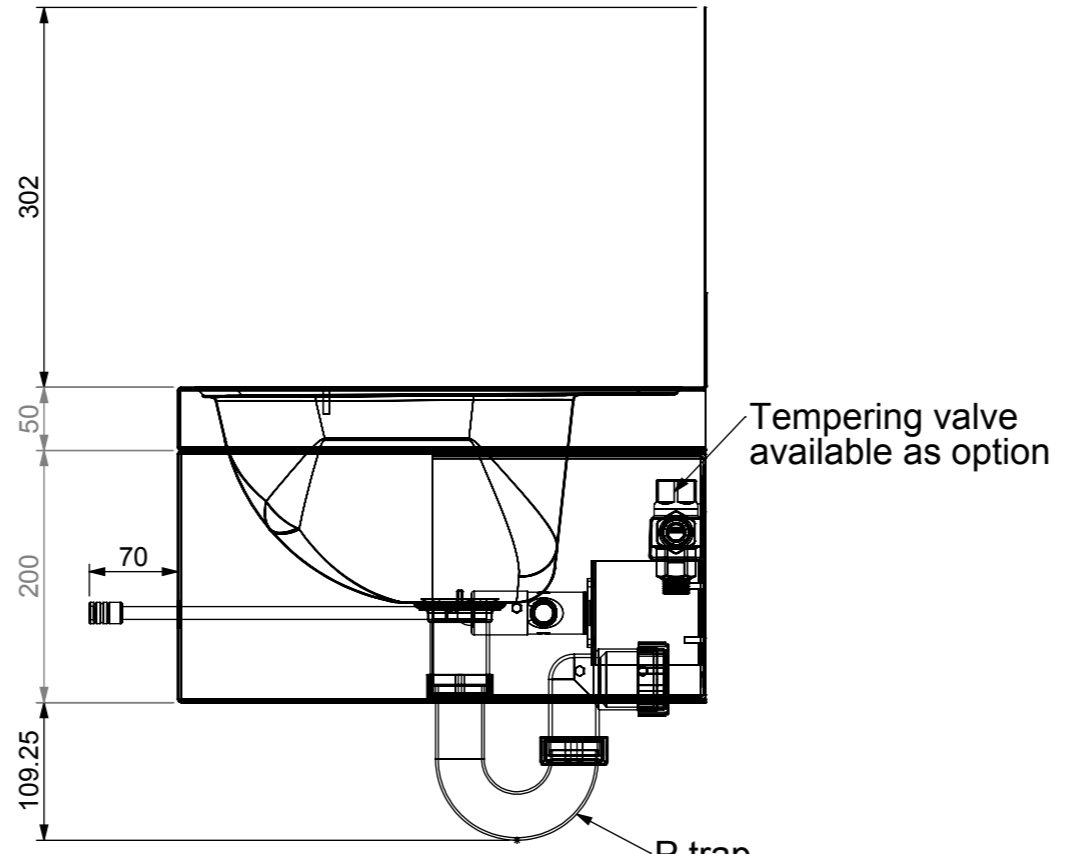
DETAIL BT  
SCALE 1 : 1



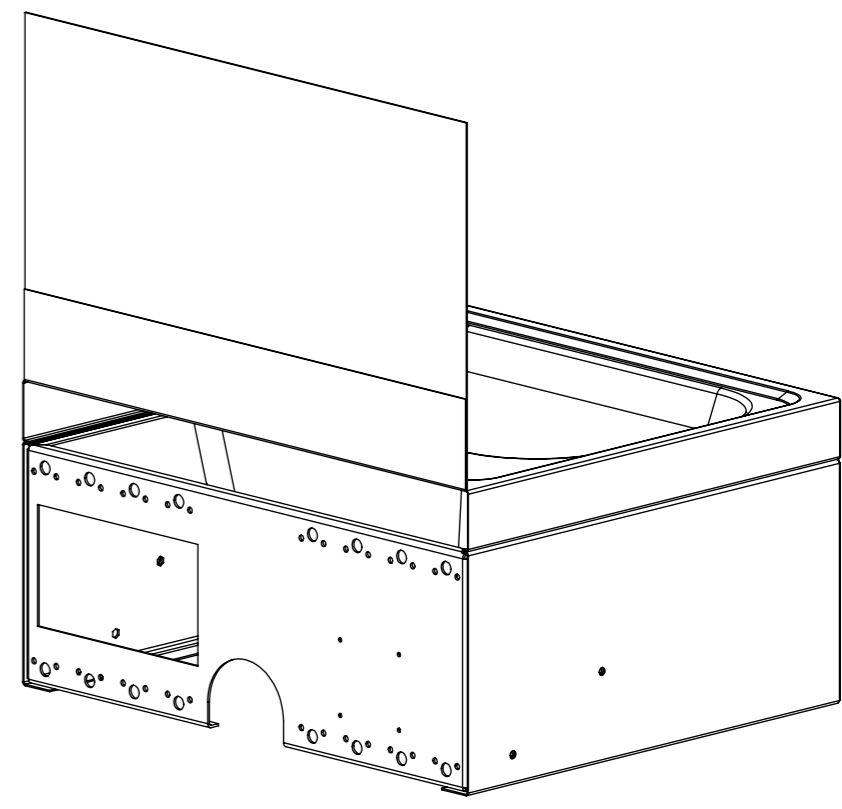
ISOMETRIC VIEW



FRONT VIEW



END VIEW



REAR ISOMETRIC VIEW



**STODDART  
MANUFACTURING**  
TOM STODDART Pty Ltd ACN 009 690 251  
215 Jackson Rd Sunnybank Hills Qld 4109  
PO Box 420 Sunnybank Qld 4109  
Phone (617) 3344 2444 Fax (617) 3345 6403  
Email sunnybank@stoddart.com.au  
*Quality in stainless steel*

				PART No: <b>SPPL-WB-H1-WO-1-300-A001</b>	
				DESCRIPTION: Wash Basin-Wall Mounted-Wond Operated	
DRAWN M Sheehan		SIGNATURE		DATE 31/08/2009	
APPVD				UNLESS OTHERWISE SPECIFIED: DIMENSIONS ARE IN MILLIMETERS	
Weight: 25106.51 kg		Surface Area: 2820544.67 M2		MATERIAL: THICKNESS: FINISH:	
DO NOT SCALE DRAWING				This drawing remains the property of Tom Stoddart Pty Ltd & cannot be reproduced without prior permission.	
				A3	
				Sheet 1 of 8	
				DWG No: SPPL-WB-H1-WO-1-300-D001	
				Dwg. Issue <b>1</b>	