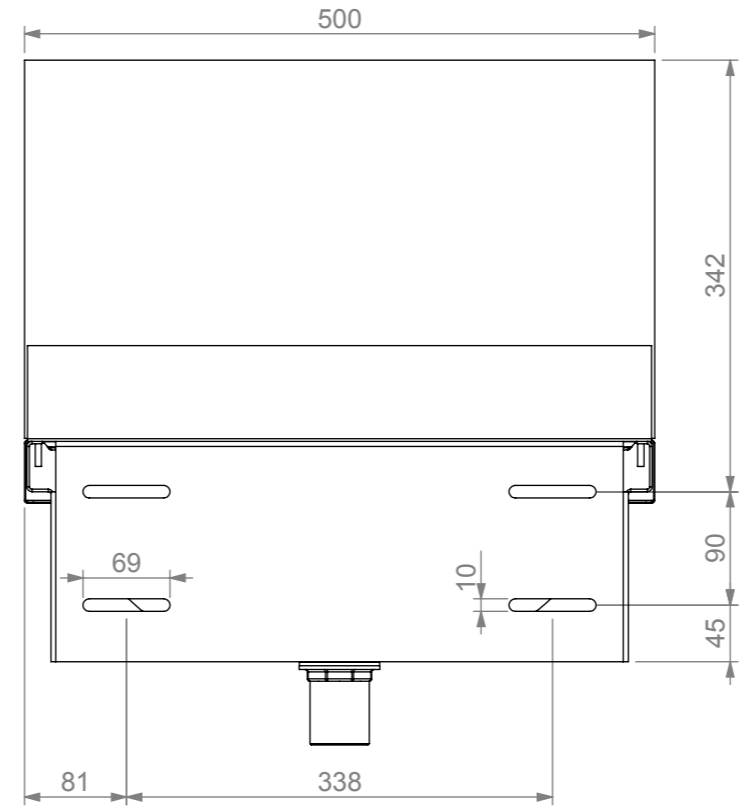
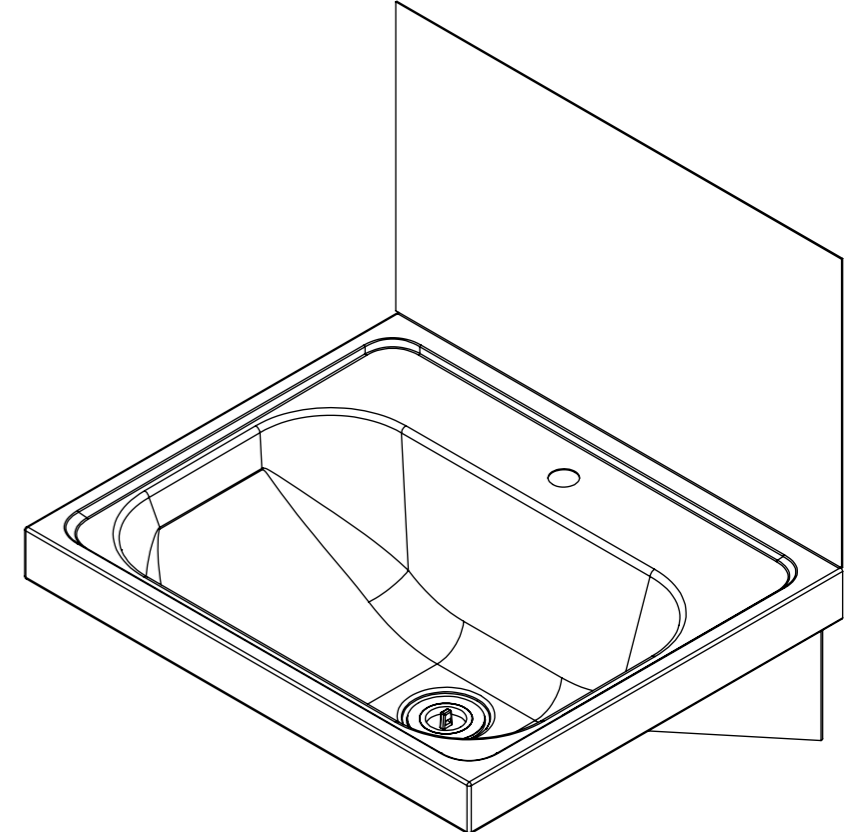


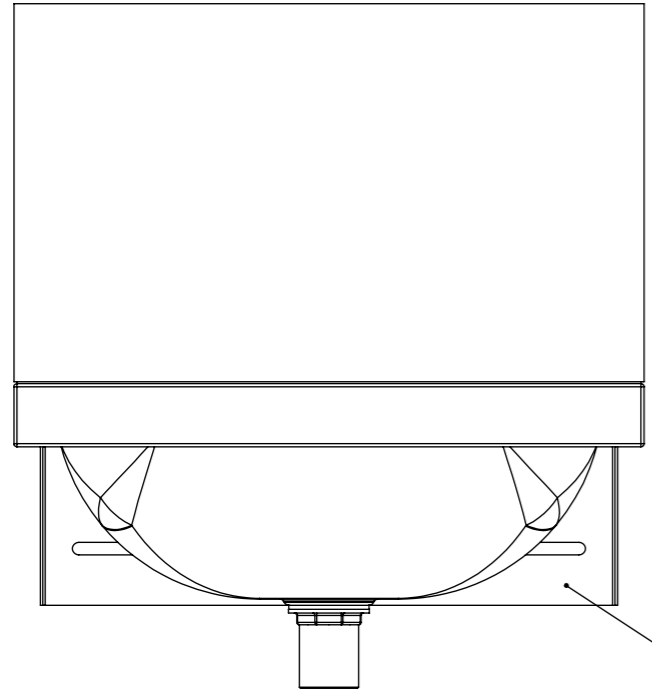
PLAN VIEW



REAR VIEW

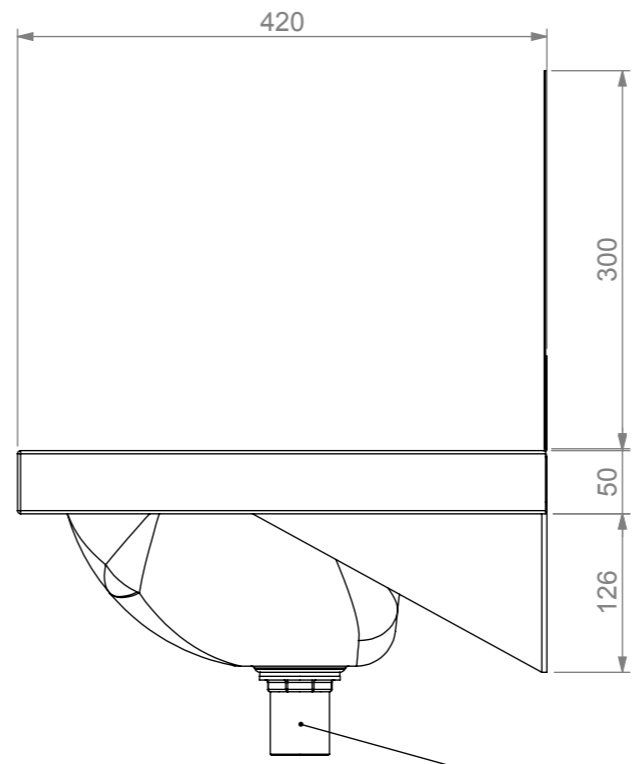


ISOMETRIC VIEW



FRONT VIEW

2.0mm Galvanized fixing bracket.



END VIEW

40mm Plug & Waste



STODDART MANUFACTURING
 TOM STODDART Pty Ltd ACN 009 690 251
 149 Jackson Rd Sunnybank Hills Qld 4109
 PO Box 420 Sunnybank Qld 4109
 Phone (617) 3345 5011 Fax (617) 3344 1000
 Email sunnybank@stoddart.com.au
Quality in stainless steel

DRAWN J Pickels APPVD Weight: 21.56 kg Surface Area: 2.10 M2 DO NOT SCALE DRAWING				NAME SIGNATURE DATE 24/09/2008 UNLESS OTHERWISE SPECIFIED: DIMENSIONS ARE IN MILLIMETERS MATERIAL: THICKNESS: FINISH:		PART No: SPPL-WB-H1-300-A001 DESCRIPTION: Hand Wash Basin DWG No: SPPL-WB-H1-300-D001	
This drawing remains the property of Tom Stoddart Pty Ltd & cannot be reproduced without prior permission.				A3		Sheet 1 of 6	