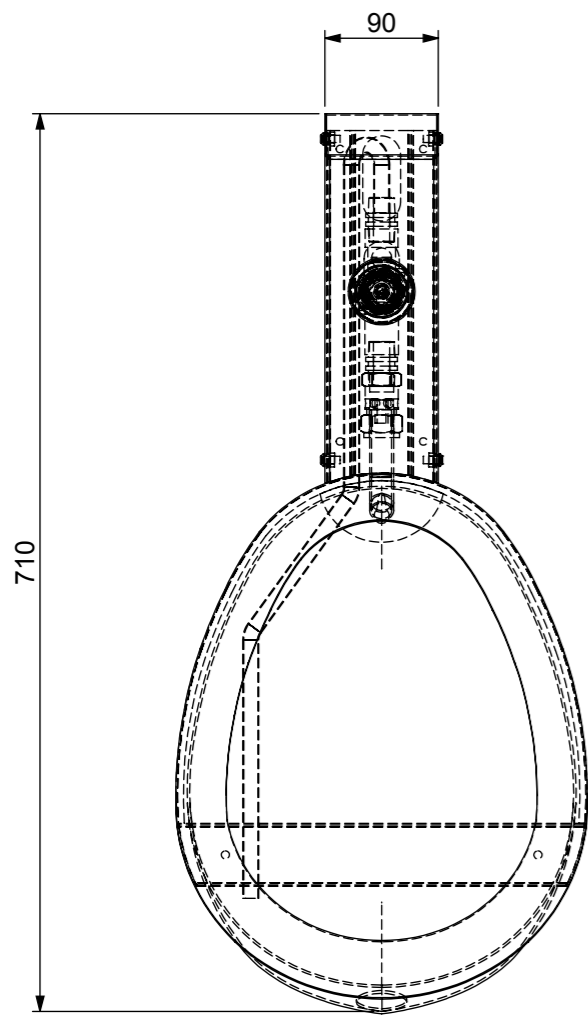
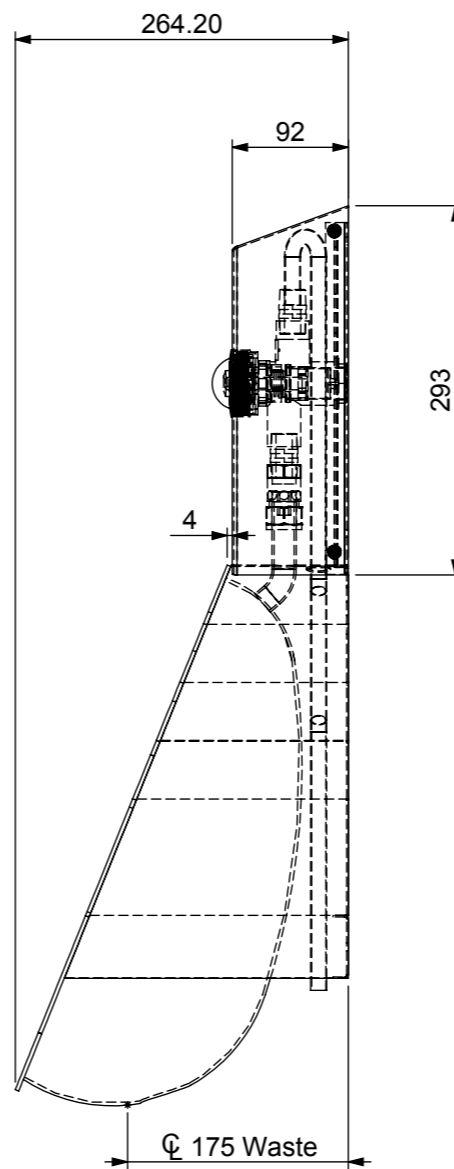


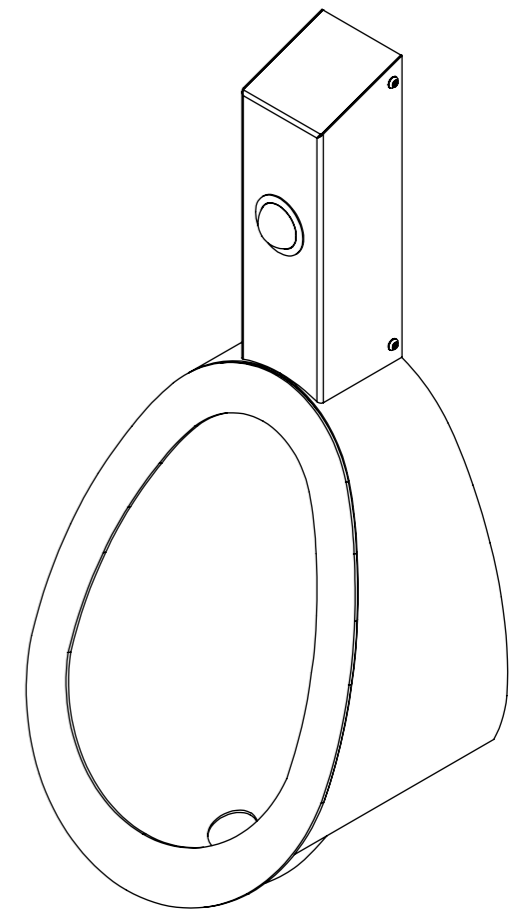
PLAN VIEW



FRONT VIEW




END VIEW



ISOMETRIC VIEW



**STODDART
MANUFACTURING**
TOM STODDART Pty Ltd ACN 009 690 251
149 Jackson Rd Sunnybank Hills Qld 4109
PO Box 420 Sunnybank Qld 4109
Phone (617) 3345 5011 Fax (617) 3344 1000
Email sunnybank@stoddart.com.au
Quality in stainless steel

				PART No: SPPL-UR-T-MS-a001		
				DESCRIPTION: Tear Drop Urinal w/ Valve Housing		
DRAWN J Pickels		SIGNATURE		DATE 25/03/2008		
APPVD				UNLESS OTHERWISE SPECIFIED: DIMENSIONS ARE IN MILLIMETERS		
Weight: 4.85 kg				MATERIAL:		
Surface Area: 1.16 M2				THICKNESS:		FINISH:
DO NOT SCALE DRAWING		This drawing remains the property of Tom Stoddart Pty Ltd & cannot be reproduced without prior permission.				A3
				DWG No: SPPL-UR-T-MS-d001		
				Sheet 1 of 8		
				Dwg. Issue 2		