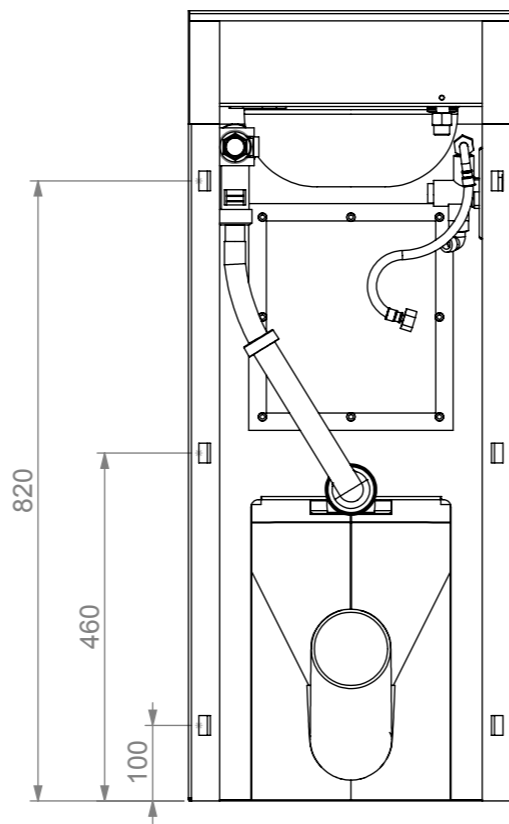
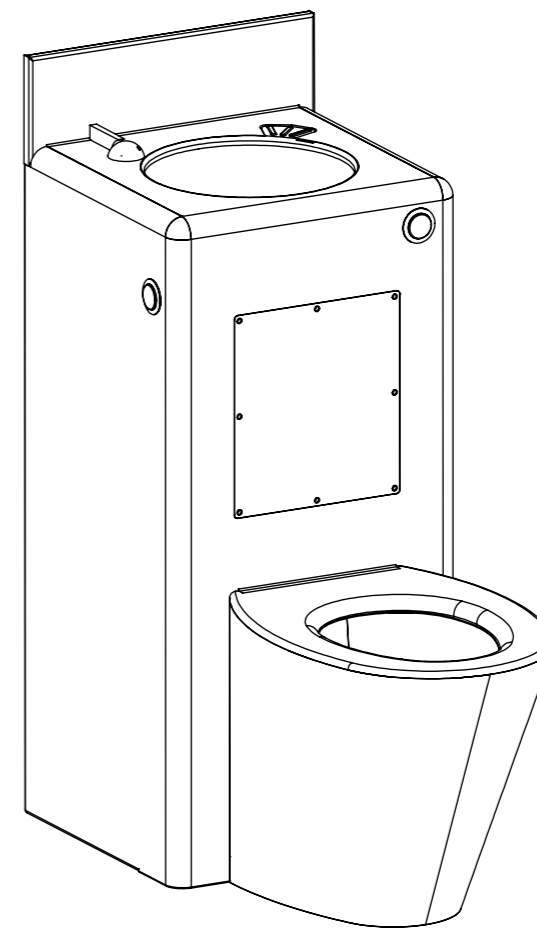


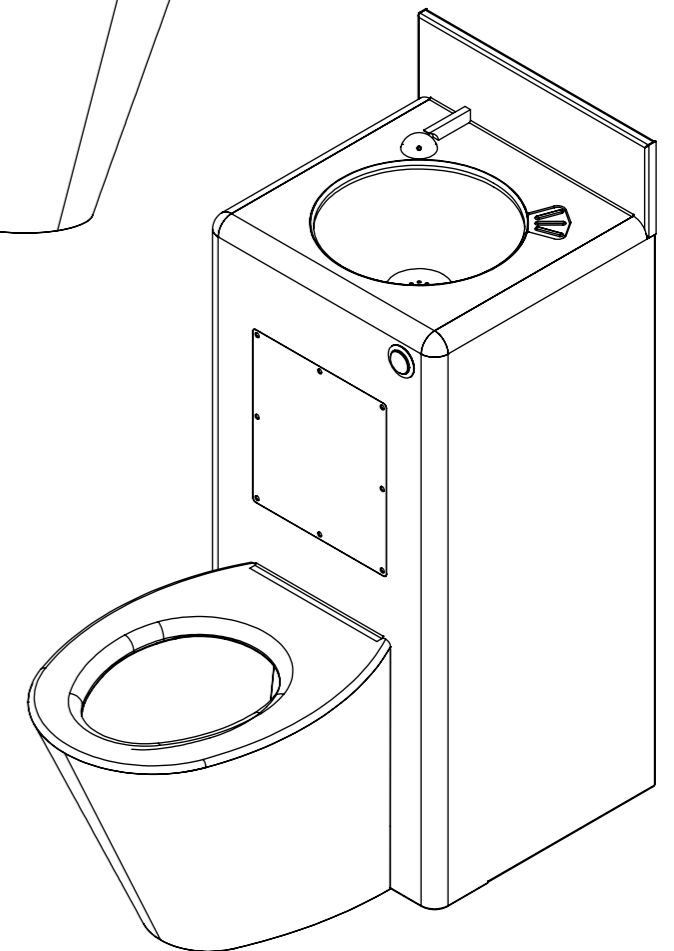
PLAN VIEW



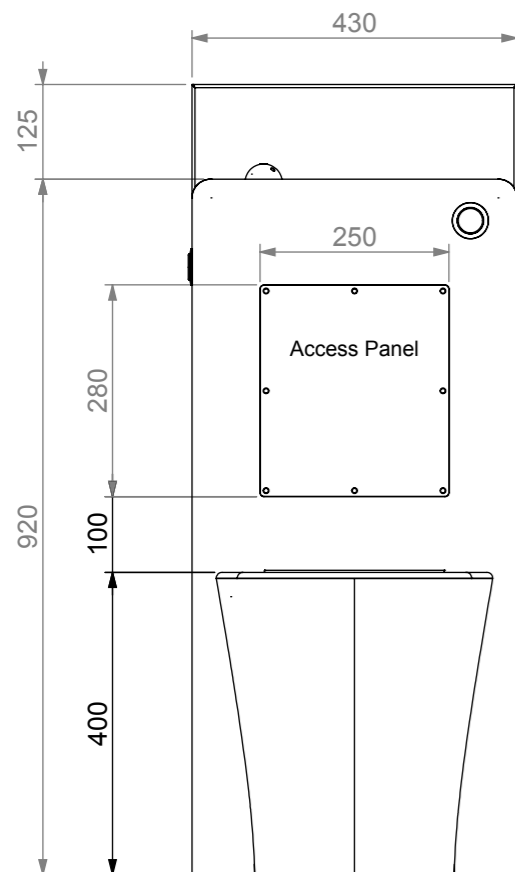
REAR VIEW



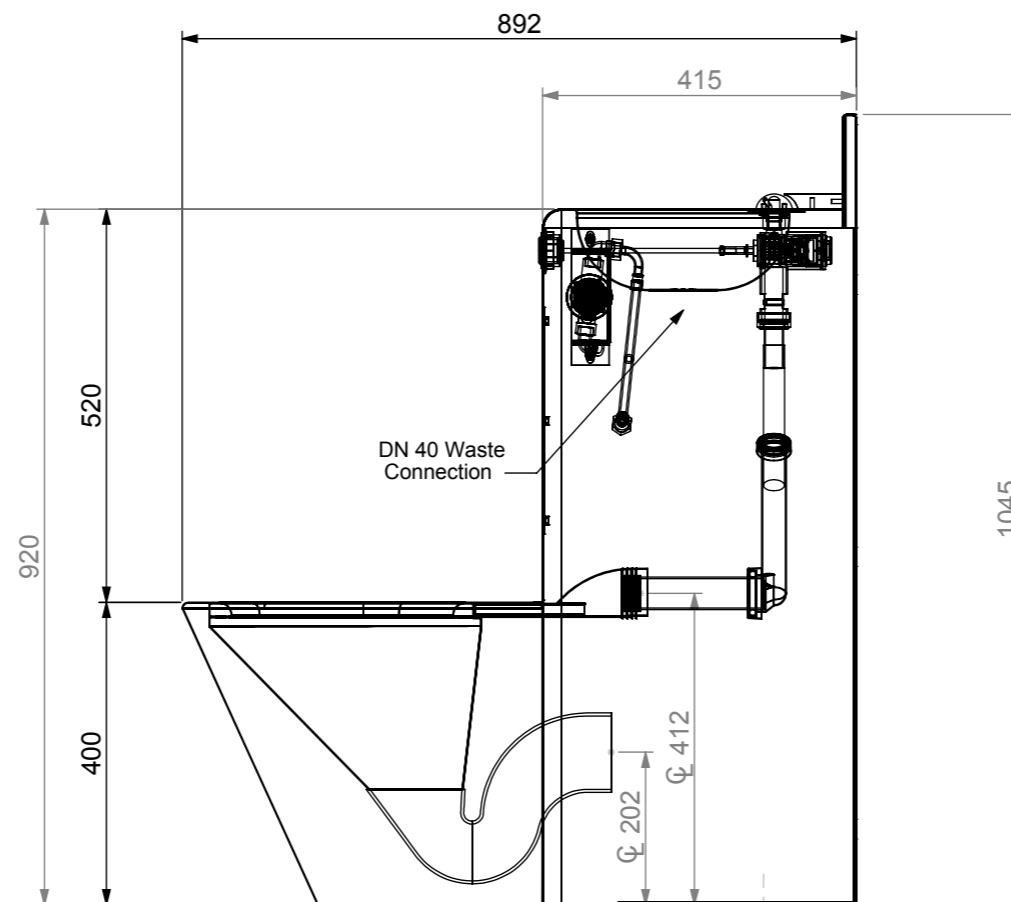
ISOMETRIC VIEW



ISOMETRIC VIEW



FRONT VIEW



END VIEW

STODDART
Manufacturing
 TOM STODDART Pty Ltd ACN 009 690 251
 215 Jackson Rd Sunnybank Hills Qld 4109
 PO Box 420 Sunnybank Qld 4109
 Phone (617) 3345 5011 Fax (617) 3344 1000
 Email sunnybank@stoddart.com.au
Quality in stainless steel

PRODUCT: Toilet Pan & Basin Combi Square Manual WA

NAME	SIGNATURE	DATE	UNLESS OTHERWISE SPECIFIED: DIMENSIONS ARE IN MILLIMETERS
DRAWN J Pickels		16/11/2009	
APPVD			MATERIAL: THICKNESS: FINISH:
DO NOT SCALE DRAWING			This drawing remains the property of Tom Stoddart Pty Ltd & cannot be reproduced without prior permission.

Press:	Programmed by:	Date:	Punch:	Die:
--------	----------------	-------	--------	------

PART No: SPPL-TP-CS-NT-FA-MS-WA Rev A	REVISION
DESCRIPTION: General Drawing	A
DWG No: SPPL-TP-CS-NT-FA-MS-WA Rev A	
A3	Sheet 1 of 16