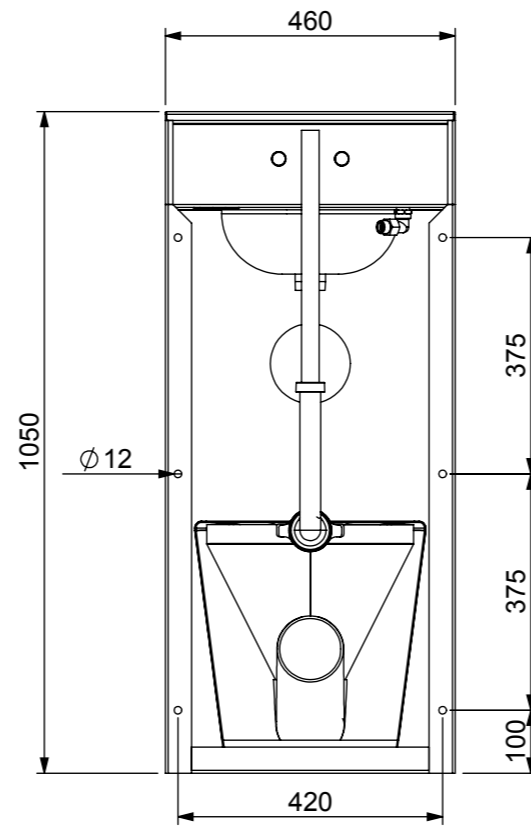
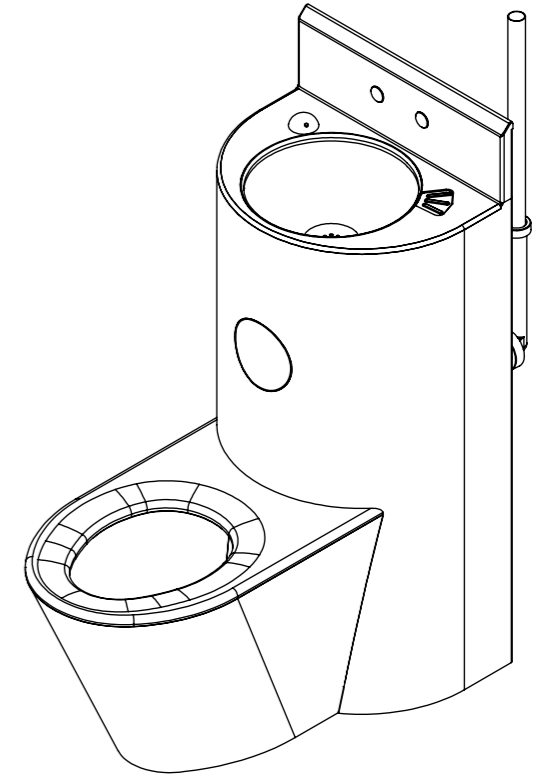


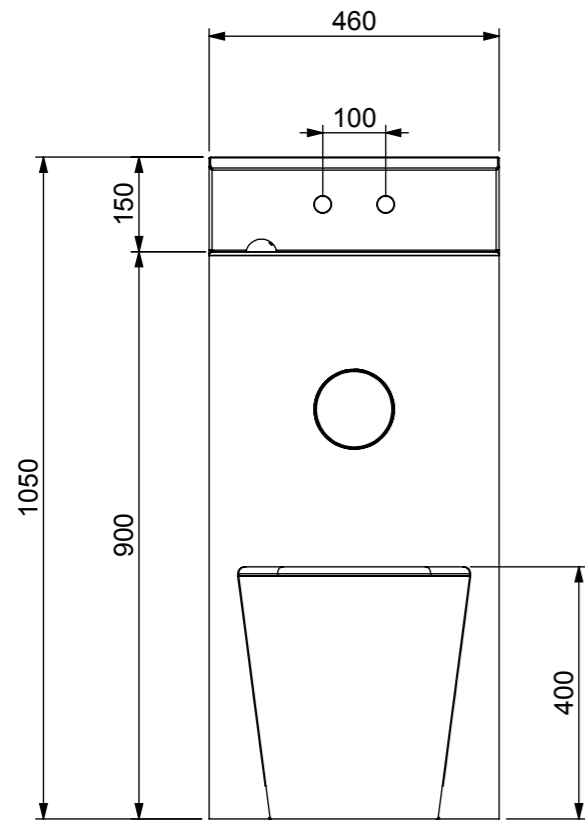
PLAN VIEW



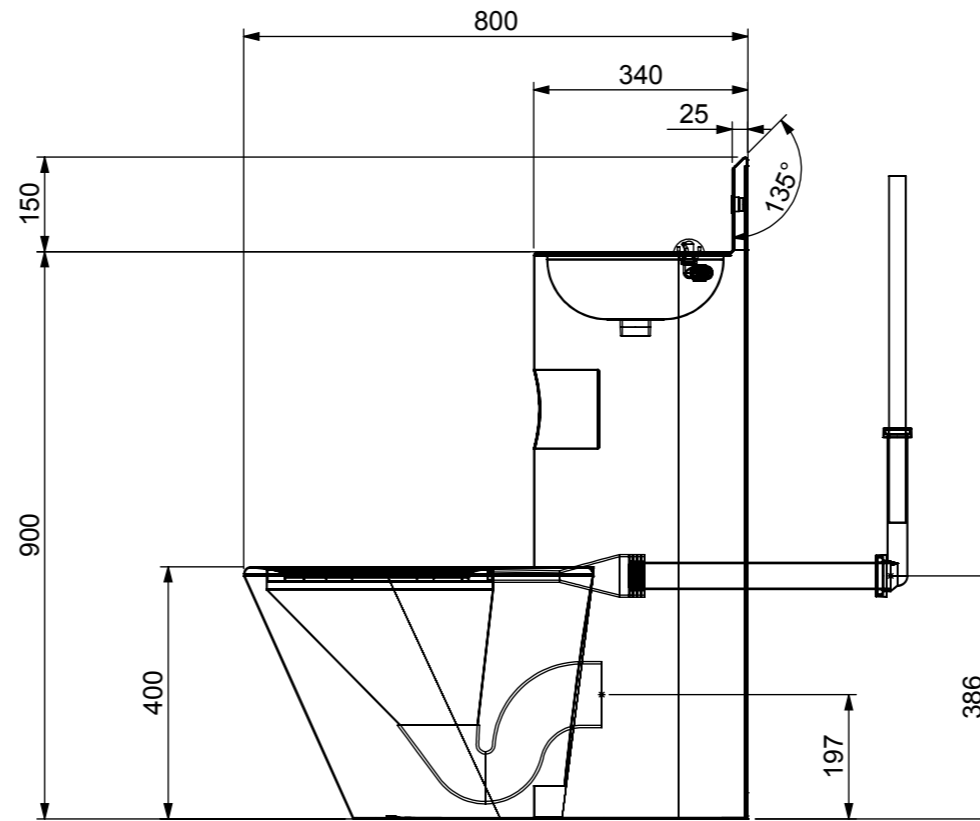
REAR VIEW



ISOMETRIC VIEW



FRONT VIEW



END VIEW

Press:	Programmed by:	Date:	Punch:	Die:
--------	----------------	-------	--------	------

STODDART
Manufacturing
 TOM STODDART Pty Ltd ACN 009 690 251
 215 Jackson Rd Sunnybank Hills Qld 4109
 PO Box 420 Sunnybank Qld 4109
 Phone (617) 3345 5011 Fax (617) 3344 1000
 Email sunnybank@stoddart.com.au
Quality in stainless steel

PRODUCT: Stainless Toilet Pan & Combination-Round			UNLESS OTHERWISE SPECIFIED: DIMENSIONS ARE IN MILLIMETERS
NAME	SIGNATURE	DATE	
DRAWN J Pickels		12/11/2009	MATERIAL: THICKNESS: FINISH:
APPVD			
Weight: 25.12 kg		This drawing remains the property of Tom Stoddart Pty Ltd & cannot be reproduced without prior permission.	
Surface Area: 4.78 M2		A3	Sheet 1 of 16
DO NOT SCALE DRAWING			

PART No: SPPL-TP-CR-2-C90-T-RA-ER-Rev A	REVISION A
DESCRIPTION: General Drawing	
DWG No: SPPL-TP-CR-2-C90-T-RA-ER-d001a	