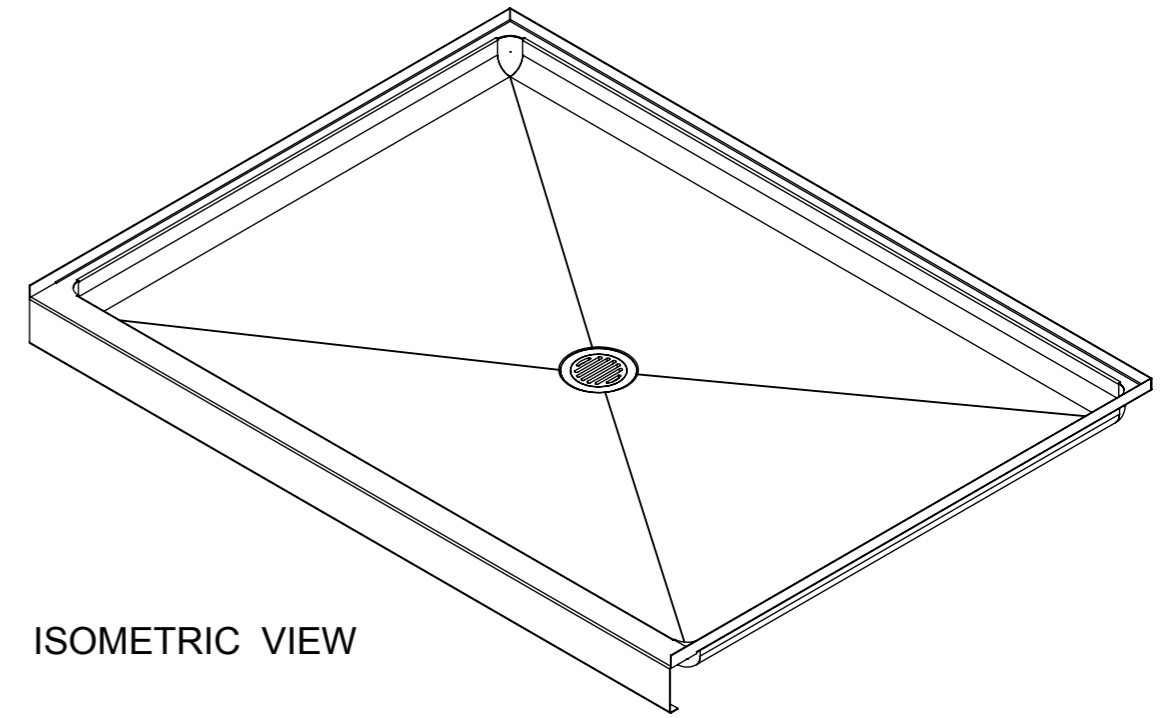


PLAN VIEW

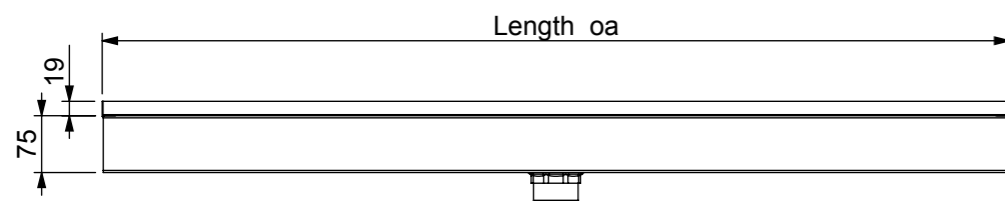


ISOMETRIC VIEW

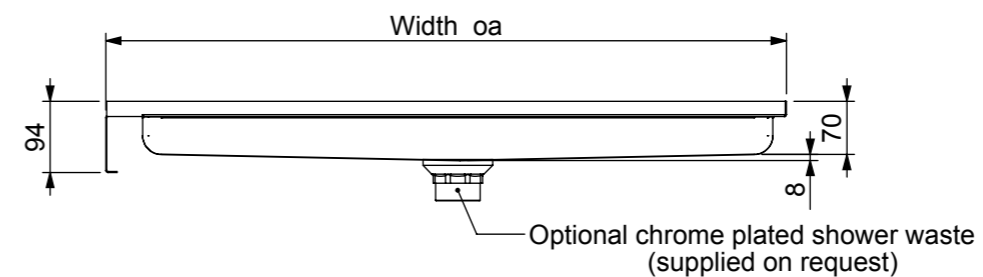
STANDARD SIZES

Model No.	Length	Width	Dim X	Dim Y
SPPL ST 900 900	900	900	450	434.5
SPPL ST 1200 900	1200	900	600	434.5
SPPL ST 1200 1200	1200	1200	600	584.5

* Length, Width and Waste positions can be changed.



FRONT VIEW



END VIEW



**STODDART
MANUFACTURING**
TOM STODDART Pty Ltd ACN 009 690 251
149 Jackson Rd Sunnybank Hills Qld 4109
PO Box 420 Sunnybank Qld 4109
Phone (617) 3345 5011 Fax (617) 3344 1000
Email sunnybank@stoddart.com.au
Quality in stainless steel

<table border="1"> <tr> <td>NAME</td> <td>SIGNATURE</td> <td>DATE</td> <td>UNLESS OTHERWISE SPECIFIED: DIMENSIONS ARE IN MILLIMETERS</td> </tr> <tr> <td>DRAWN J Pickels</td> <td></td> <td>5/02/2008</td> <td></td> </tr> <tr> <td>APPVD</td> <td></td> <td></td> <td>MATERIAL:</td> </tr> <tr> <td>Weight:</td> <td></td> <td></td> <td>THICKNESS:</td> </tr> <tr> <td>Surface Area:</td> <td></td> <td></td> <td>FINISH:</td> </tr> </table>				NAME	SIGNATURE	DATE	UNLESS OTHERWISE SPECIFIED: DIMENSIONS ARE IN MILLIMETERS	DRAWN J Pickels		5/02/2008		APPVD			MATERIAL:	Weight:			THICKNESS:	Surface Area:			FINISH:	PART No: SPPL-ST-1200-900-a001 DESCRIPTION:	
NAME	SIGNATURE	DATE	UNLESS OTHERWISE SPECIFIED: DIMENSIONS ARE IN MILLIMETERS																						
DRAWN J Pickels		5/02/2008																							
APPVD			MATERIAL:																						
Weight:			THICKNESS:																						
Surface Area:			FINISH:																						
DO NOT SCALE DRAWING			This drawing remains the property of Tom Stoddart Pty Ltd & cannot be reproduced without prior permission.		DWG No: SPPL-ST-1200-900-d001																				
A3				Sheet 1 of 3																					