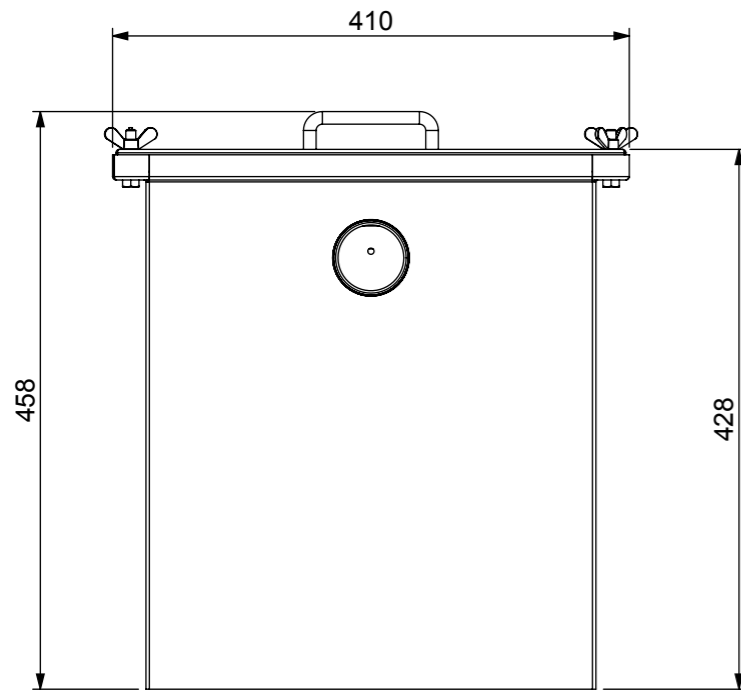
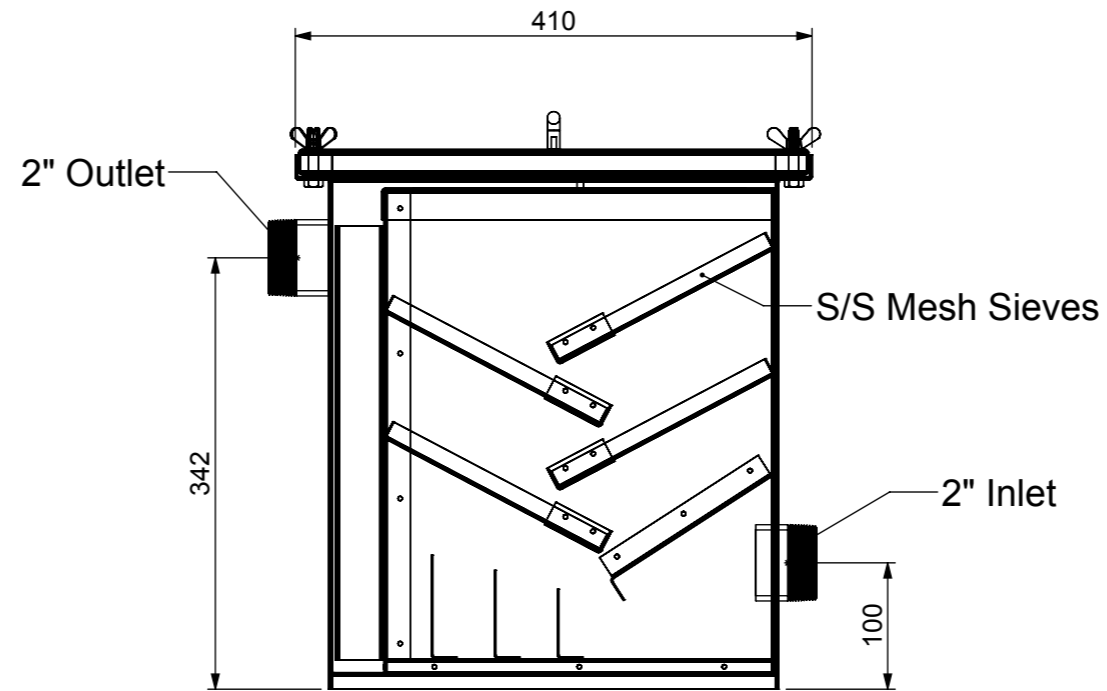


PLAN VIEW

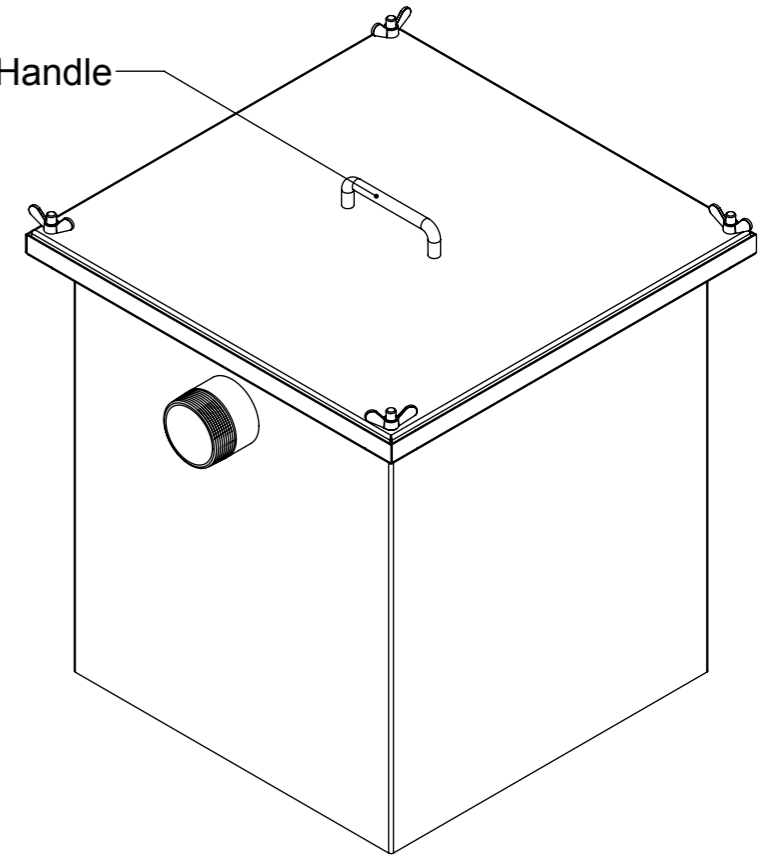


FRONT VIEW



END VIEW
(showing internal parts)

Chrome Plated "D" Handle



ISOMETRIC VIEW



**STODDART
MANUFACTURING**
TOM STODDART Pty Ltd ACN 009 690 251
215 Jackson Rd Sunnybank Hills Qld 4109
PO Box 420 Sunnybank Qld 4109
Phone (617) 3345 5011 Fax (617) 3344 1000
Email sunnybank@stoddart.com.au
Quality in stainless steel

PRODUCT: Plaster Arrester

NAME	SIGNATURE	DATE
DRAWN J Pickels		23/02/2005
APPVD		

UNLESS OTHERWISE SPECIFIED:
DIMENSIONS ARE IN MILLIMETERS

MATERIAL:
THICKNESS:
FINISH:

Press:	Programmed by:	Date:	Punch:	Die:
PART No: SPPL PA-a001		DESCRIPTION: General Drawing		
DWG No: SPPL PA-d001				REVISION A

DO NOT SCALE DRAWING

This drawing remains the property of Tom Stoddart Pty Ltd & cannot be reproduced without prior permission.

A3

Sheet 1 of 21