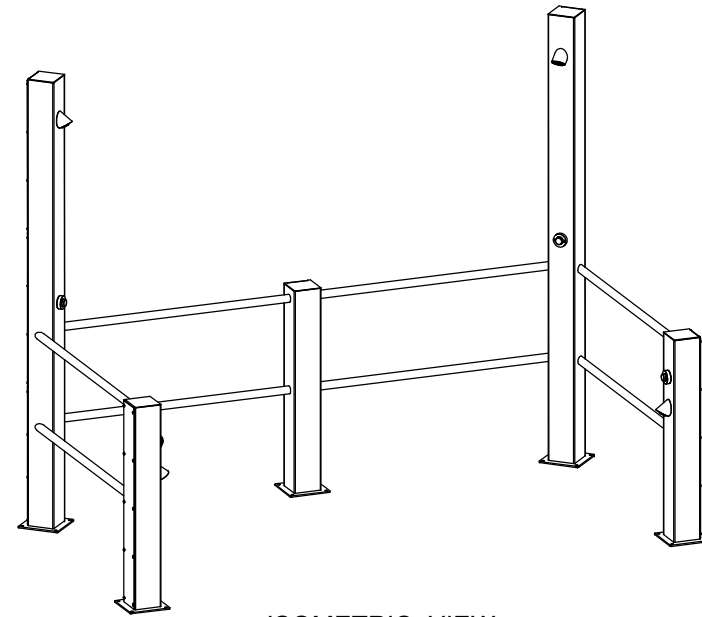
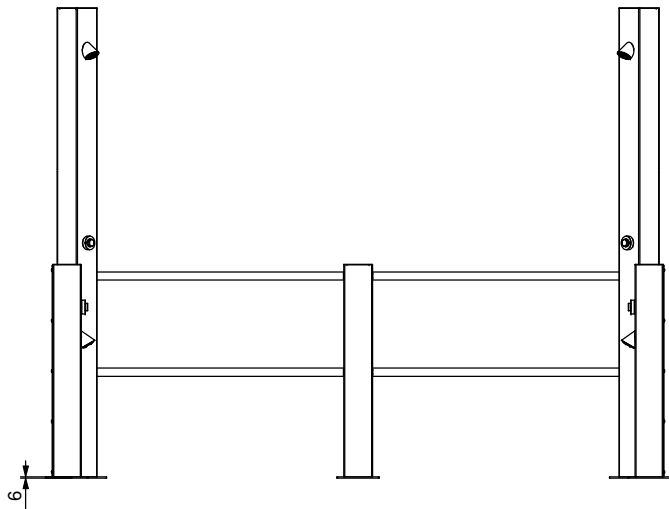


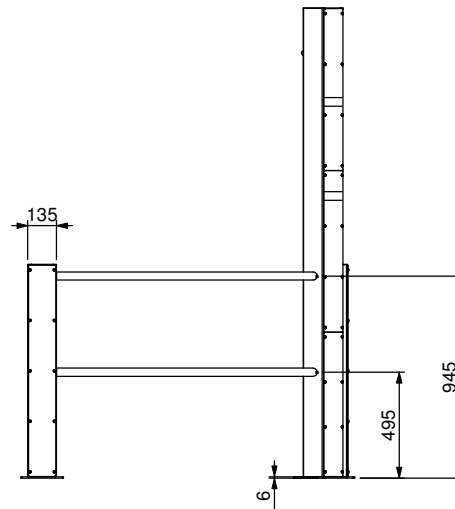
PLAN VIEW



ISOMETRIC VIEW



FRONT VIEW



END VIEW

Product Details

Connection	Connection in Shower Size / Type	Min Length of Flexi Hose Req From F.F.L to Connection
Shower	1/2 " BSP Nipple	1050 mm
Foot Shower	1/2 " BSP Nipple	750 mm

STODDART Manufacturing
 TOM STODDART Pty Ltd ACN 009 690 251
 215 Jackson Rd Sunnybank Hills Qld 4109
 PO Box 420 Sunnybank Qld 4109
 Phone (617) 3345 5011 Fax (617) 3344 1000
 Email sunnybank@stoddart.com.au
Quality in stainless steel

PRODUCT: Outdoor Shower		PART No: SPPL-OS-5P-2FS-GT-VAR-a001	
DRAWN J Pickels	SIGNATURE	DATE 11/06/2009	UNLESS OTHERWISE SPECIFIED: DIMENSIONS ARE IN MILLIMETERS
APPVD	MATERIAL:		DESCRIPTION: General Drawing
DO NOT SCALE DRAWING		THICKNESS:	DWG No: SPPL-OS-5P-2FS-GT-VAR-d001
This drawing remains the property of Tom Stoddart Pty Ltd & cannot be reproduced without prior permission.		FINISH:	REVISION A
A3		Sheet 1 of 18	