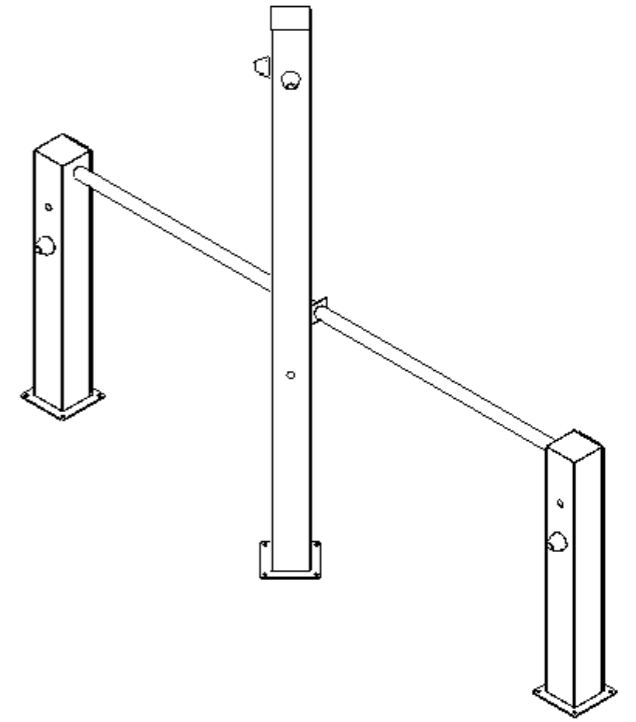
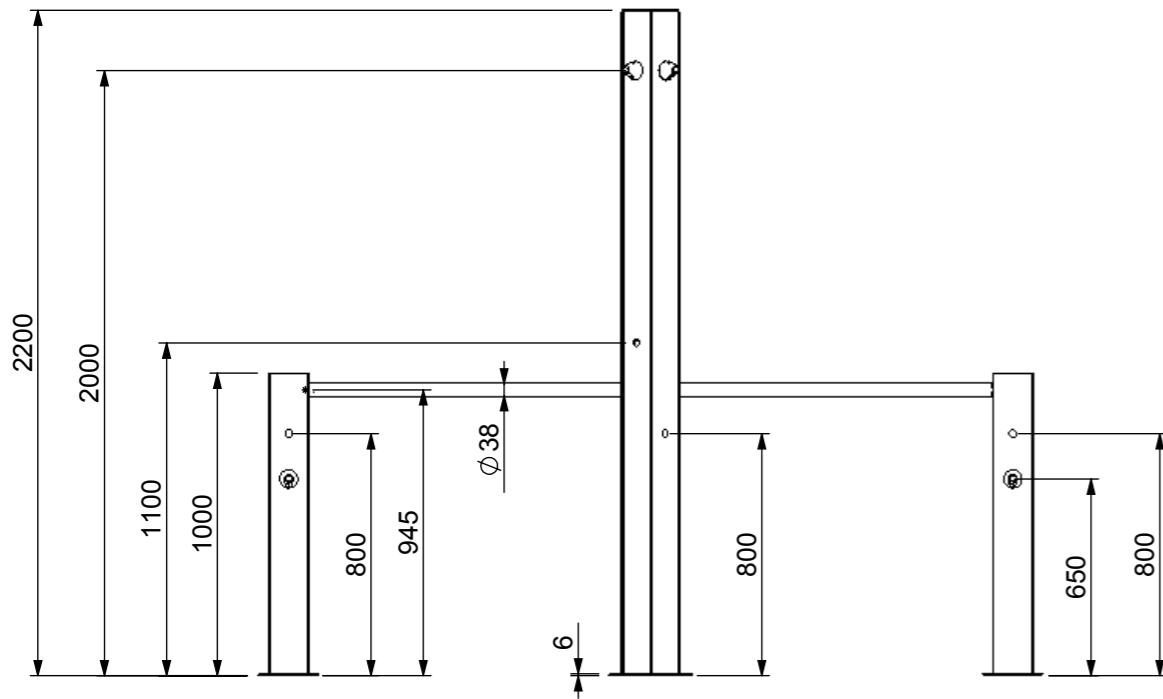


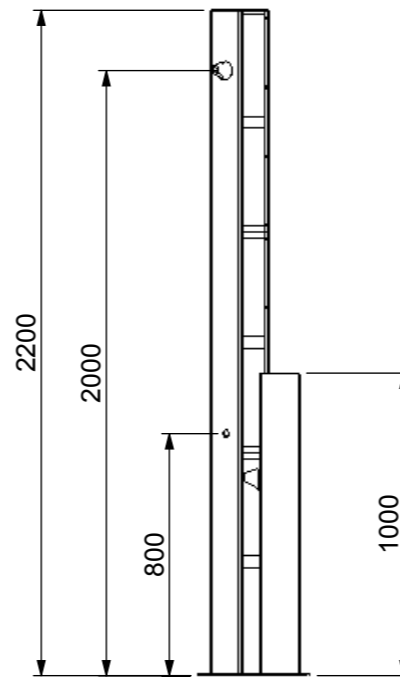
PLAN VIEW



ISOMETRIC VIEW



FRONT VIEW



END VIEW

**Product Details**

Connection	Connection in Shower Size / Type	Min Length of Flexi Hose Req From F.F.L to Connection
Shower	1/2 " BSP Nipple	1050 mm
Foot Shower	1/2 " BSP Nipple	750 mm



**STODDART MANUFACTURING**

TOM STODDART Pty Ltd ACN 009 690 251  
 149 Jackson Rd Sunnybank Hills Qld 4109  
 PO Box 420 Sunnybank Qld 4109  
 Phone (617) 3345 5011 Fax (617) 3344 1000  
 Email sunnybank@stoddart.com.au  
*Quality in stainless steel*

<table border="1"> <tr> <th>NAME</th> <th>SIGNATURE</th> <th>DATE</th> <th>UNLESS OTHERWISE SPECIFIED: DIMENSIONS ARE IN MILLIMETERS</th> </tr> <tr> <td>DRAWN J Pickels</td> <td></td> <td>18/02/2008</td> <td></td> </tr> <tr> <td>APPVD</td> <td></td> <td></td> <td>MATERIAL:</td> </tr> <tr> <td>Weight:</td> <td></td> <td></td> <td>THICKNESS:</td> </tr> <tr> <td>Surface Area:</td> <td></td> <td></td> <td>FINISH:</td> </tr> </table>				NAME	SIGNATURE	DATE	UNLESS OTHERWISE SPECIFIED: DIMENSIONS ARE IN MILLIMETERS	DRAWN J Pickels		18/02/2008		APPVD			MATERIAL:	Weight:			THICKNESS:	Surface Area:			FINISH:	PART No: <b>SPPL-OS-3P-2S-2F.VAR-a001</b> DESCRIPTION:	
NAME	SIGNATURE	DATE	UNLESS OTHERWISE SPECIFIED: DIMENSIONS ARE IN MILLIMETERS																						
DRAWN J Pickels		18/02/2008																							
APPVD			MATERIAL:																						
Weight:			THICKNESS:																						
Surface Area:			FINISH:																						
DO NOT SCALE DRAWING			This drawing remains the property of Tom Stoddart Pty Ltd & cannot be reproduced without prior permission.		DWG No: <b>SPPL-OS-3P-2S-2F.VAR-d001</b>																				
A3				Sheet 1 of 18																					