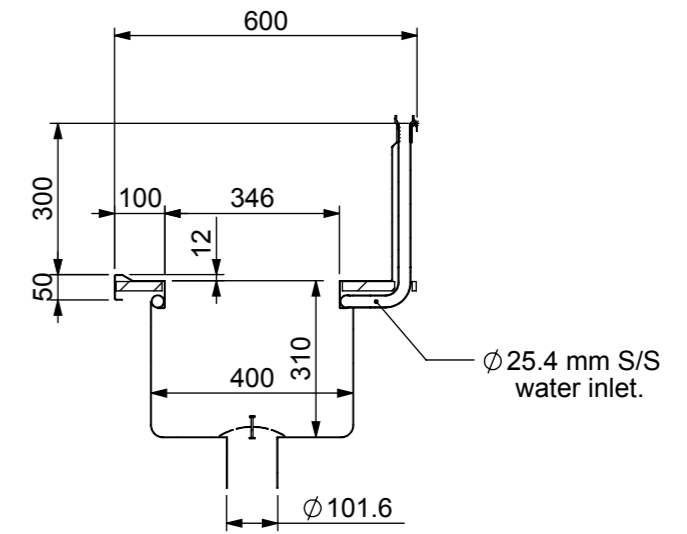
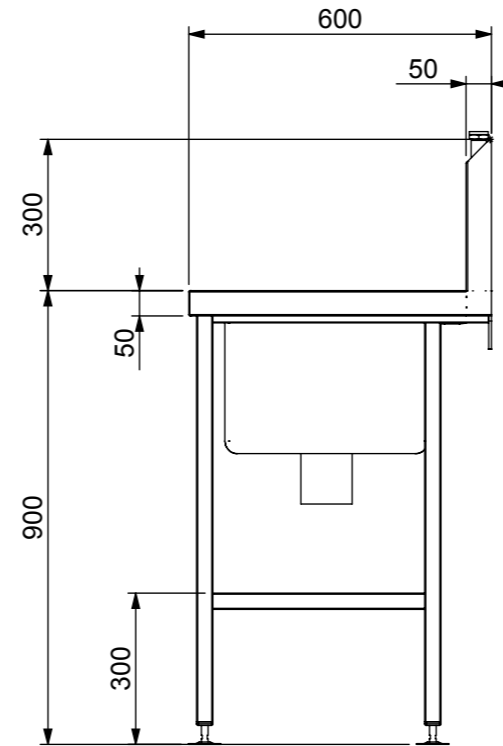
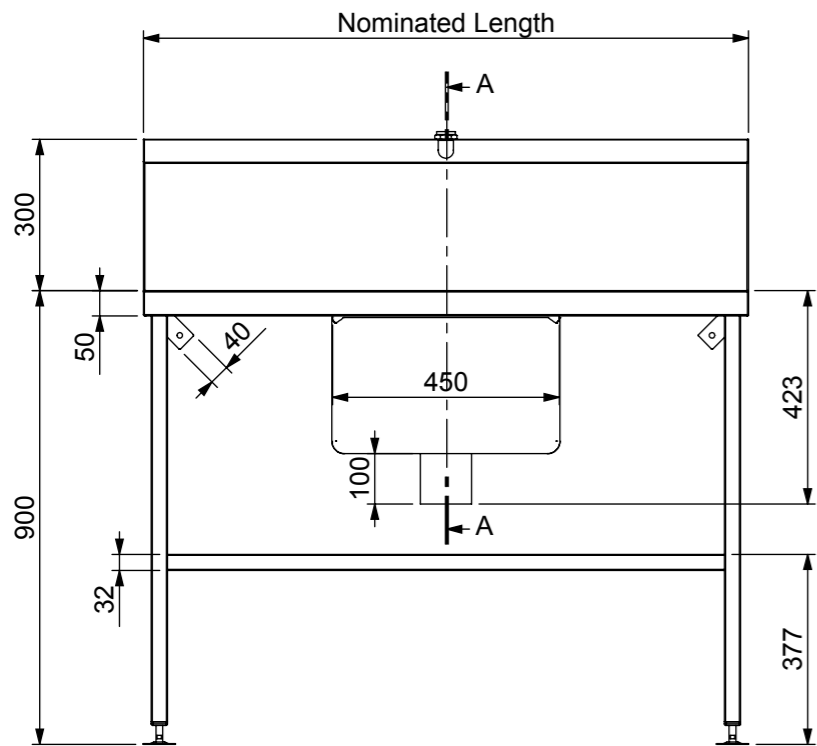
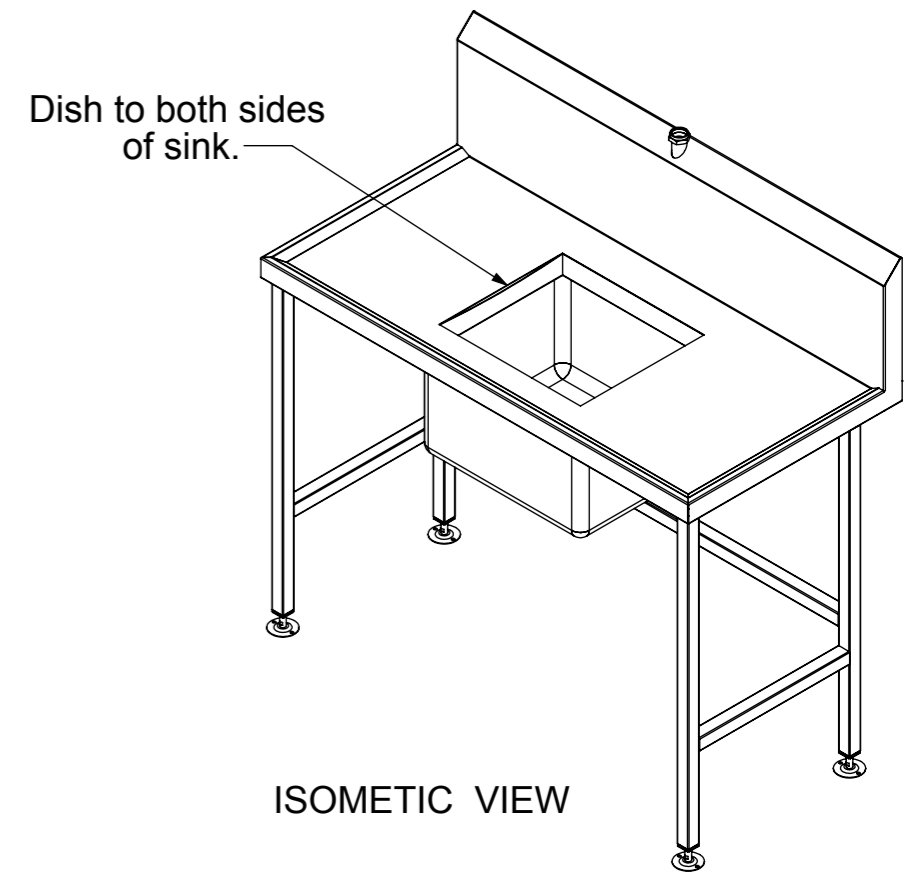


**Product Details**

Waste : 101.6  $\phi$  mm S/S Tube  
 Water Connection : 25.4  $\phi$  mm S/S Tube



**STODDART MANUFACTURING**  
 TOM STODDART Pty Ltd ACN 009 690 251  
 149 Jackson Rd Sunnybank Hills Qld 4109  
 PO Box 420 Sunnybank Qld 4109  
 Phone (617) 3345 5011 Fax (617) 3344 1000  
 Email sunnybank@stoddart.com.au  
*Quality in stainless steel*

				PART No: <b>SPPL-FR-SBS-T XXXX</b>	
NAME	SIGNATURE	DATE	UNLESS OTHERWISE SPECIFIED: DIMENSIONS ARE IN MILLIMETERS	DESCRIPTION: Flushing Rim Sink Bench	
DRAWN J Pickels		24/04/2008			
APPVD			MATERIAL:	Dwg. Issue	
Weight: 37.86 kg			THICKNESS:	DWG No: SPPL-FR-SBS-T XXXX	
Surface Area: 6.94 M2			FINISH:		
DO NOT SCALE DRAWING			This drawing remains the property of Tom Stoddart Pty Ltd & cannot be reproduced without prior permission.		A3
					Sheet 1 of 20