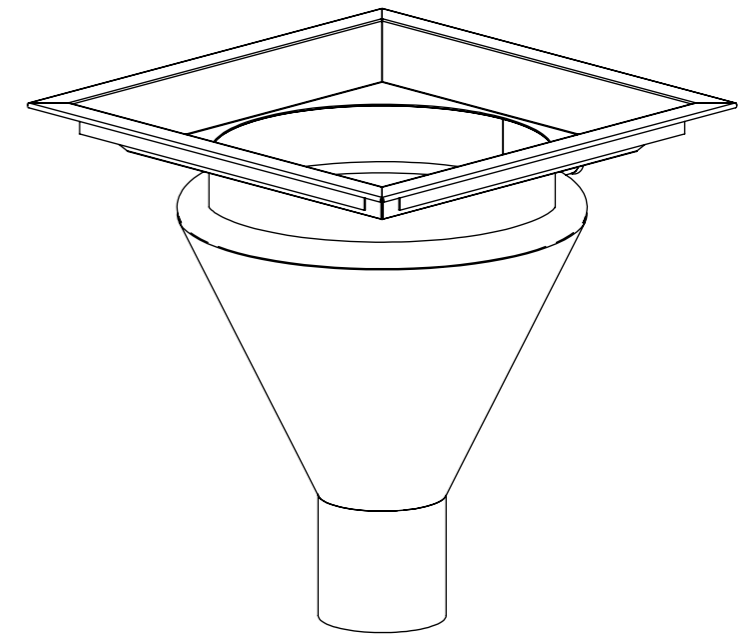
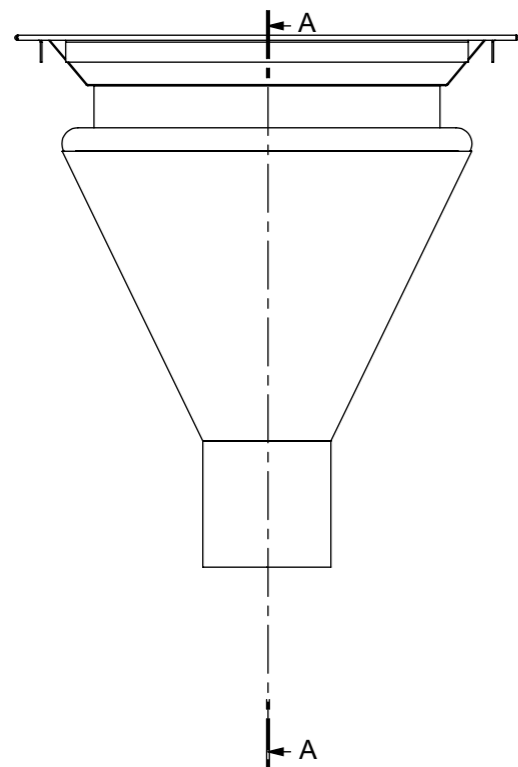


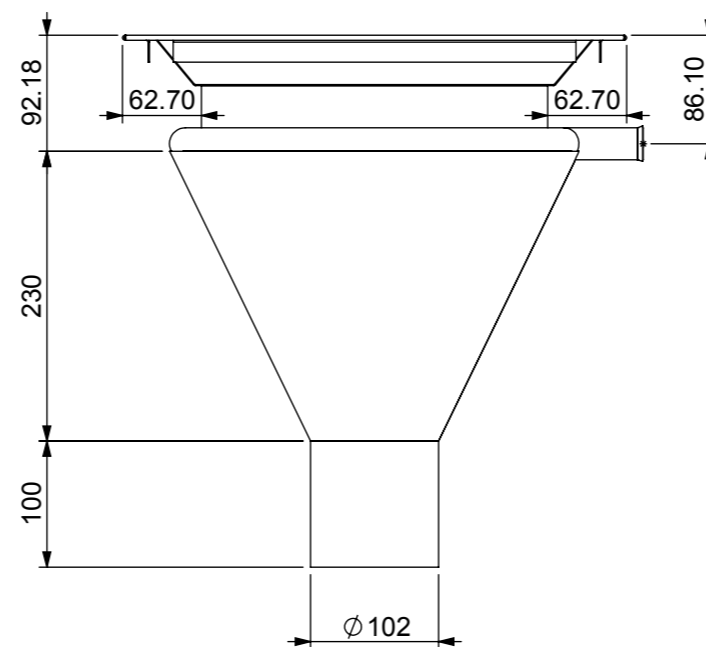
DETAIL B
SCALE 1 : 2



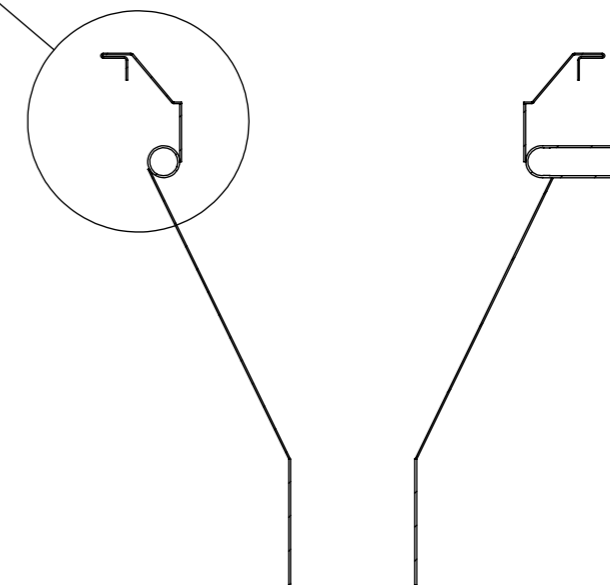
ISOMETRIC VIEW



FRONT VIEW



END VIEW



SECTION A-A



**STODDART
MANUFACTURING**
TOM STODDART Pty Ltd ACN 009 690 251
149 Jackson Rd Sunnybank Hills Qld 4109
PO Box 420 Sunnybank Qld 4109
Phone (617) 3345 5011 Fax (617) 3344 1000
Email sunnybank@stoddart.com.au
Quality in stainless steel

				PART No: SPPL-FR-C-DI-R Rev A	
NAME	SIGNATURE	DATE	UNLESS OTHERWISE SPECIFIED: DIMENSIONS ARE IN MILLIMETERS	DESCRIPTION:	
DRAWN		7/04/2010			
APPVD			MATERIAL:	DWG No: SPPL-FR-C-DI-R Rev A	
Weight:			THICKNESS:	Dwg. Issue	
Surface Area:			FINISH:	1	
DO NOT SCALE DRAWING			This drawing remains the property of Tom Stoddart Pty Ltd & cannot be reproduced without prior permission.		A3
			Sheet 1 of 7		