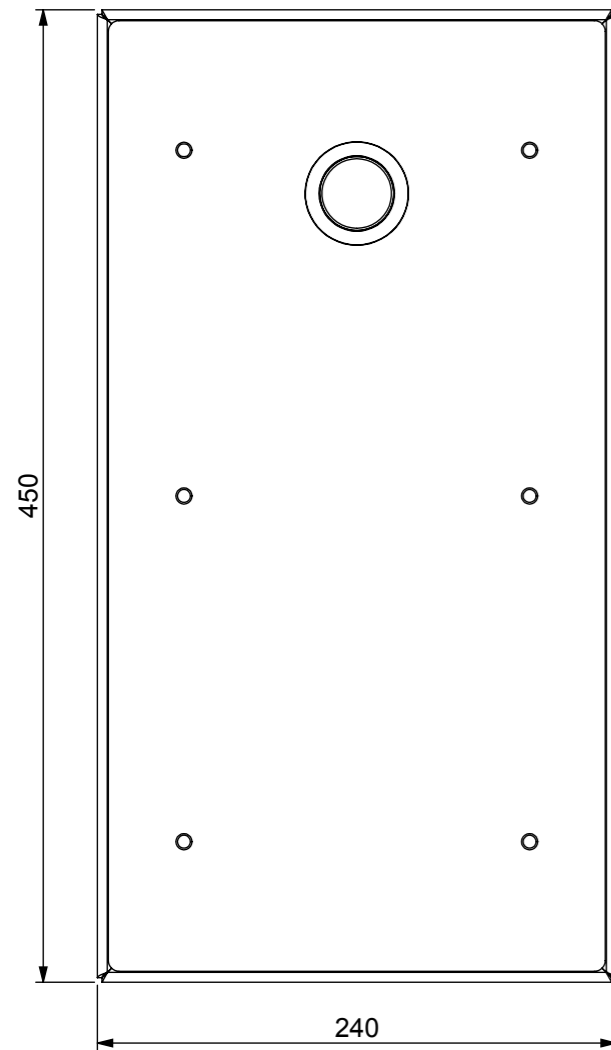
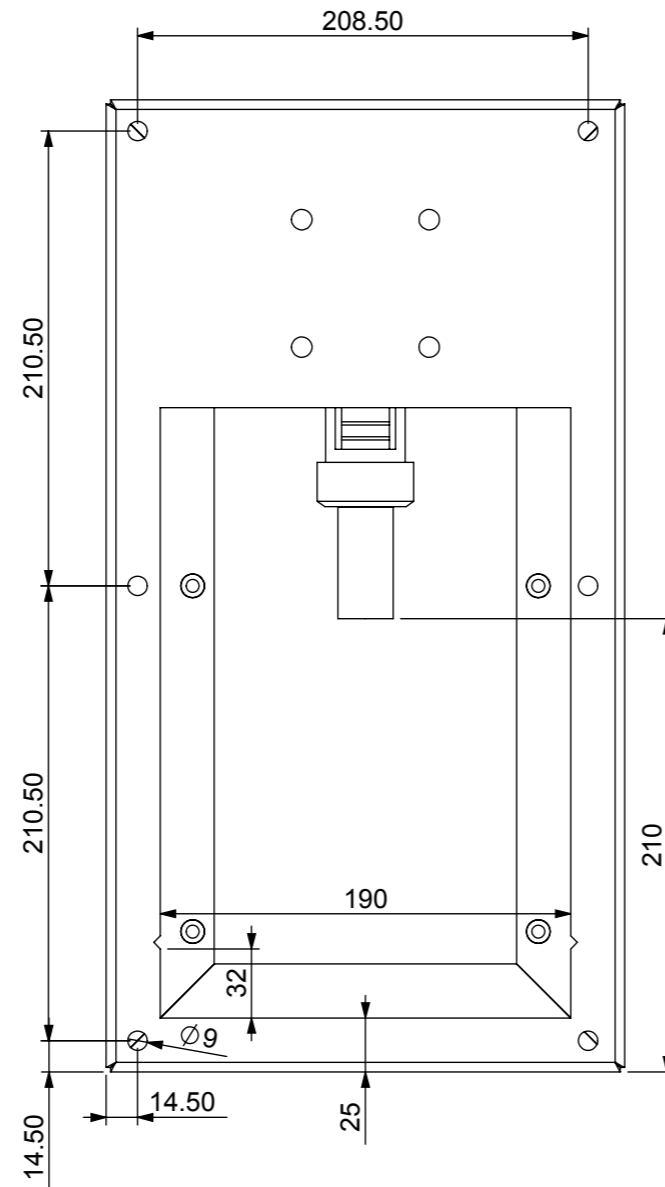


PLAN VIEW

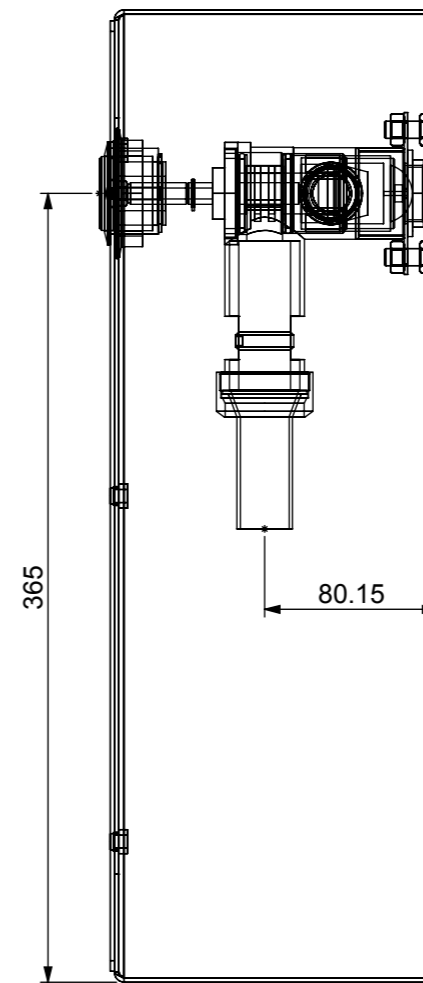


FRONT VIEW

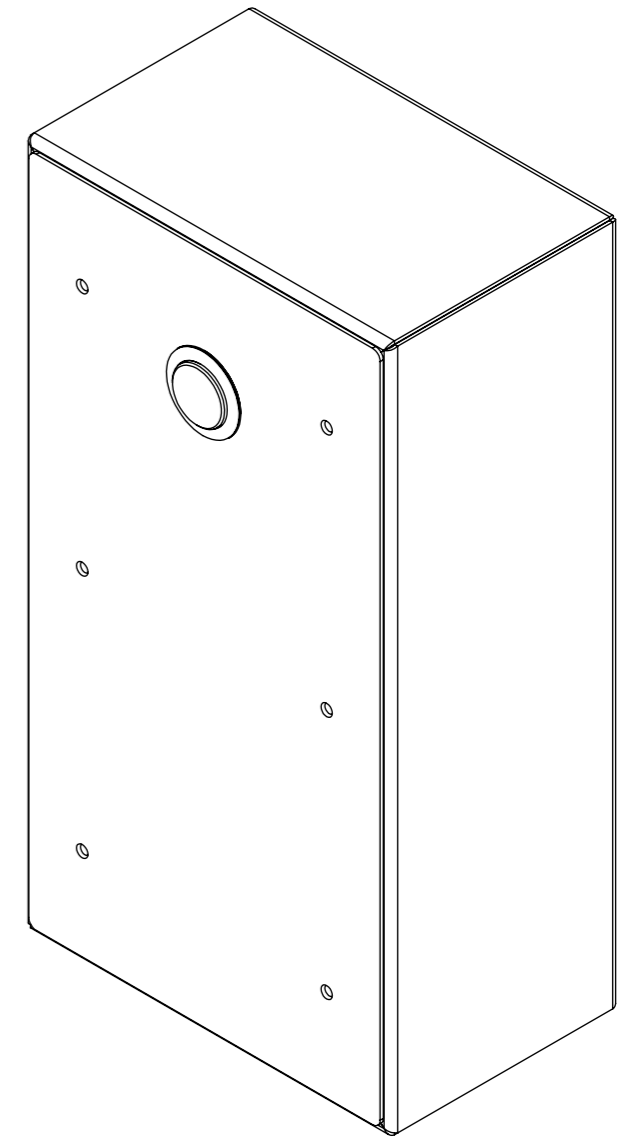
MATERIAL : 2.0 304 NO.4 S/S



REAR VIEW



END VIEW



ISOMETRIC VIEW



**STODDART  
MANUFACTURING**  
TOM STODDART Pty Ltd ACN 009 690 251  
149 Jackson Rd Sunnybank Hills Qld 4109  
PO Box 420 Sunnybank Qld 4109  
Phone (617) 3345 5011 Fax (617) 3344 1000  
Email sunnybank@stoddart.com.au  
*Quality in stainless steel*

				PART No: <b>SPPL-FD-VB-WM-MS Rev A</b>	
NAME	SIGNATURE	DATE	UNLESS OTHERWISE SPECIFIED: DIMENSIONS ARE IN MILLIMETERS	DESCRIPTION: General Drawing	
DRAWN		1/01/1800			
APPVD			MATERIAL:	DWG No: SPPL-FD-VB-WM-MS Rev A	
Weight:			THICKNESS:	Dwg. Issue	
Surface Area:			FINISH:	1	
DO NOT SCALE DRAWING			This drawing remains the property of Tom Stoddart Pty Ltd & cannot be reproduced without prior permission.		A3
					Sheet 1 of 8