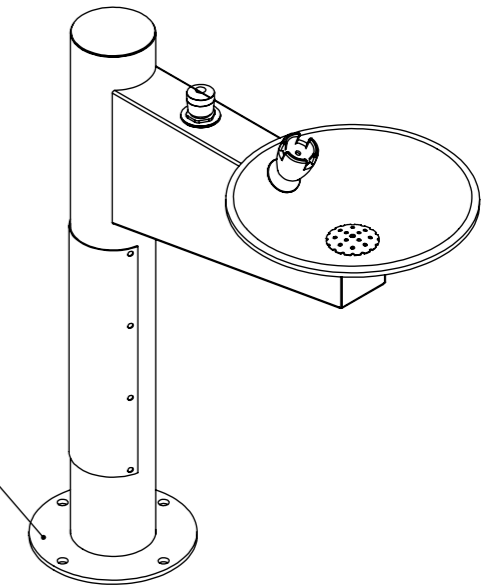
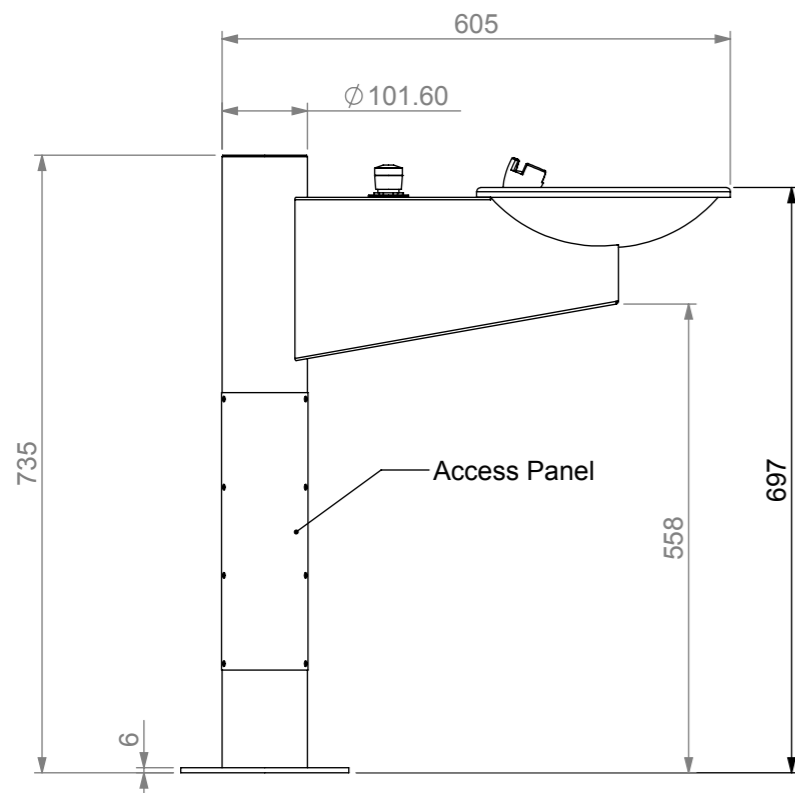


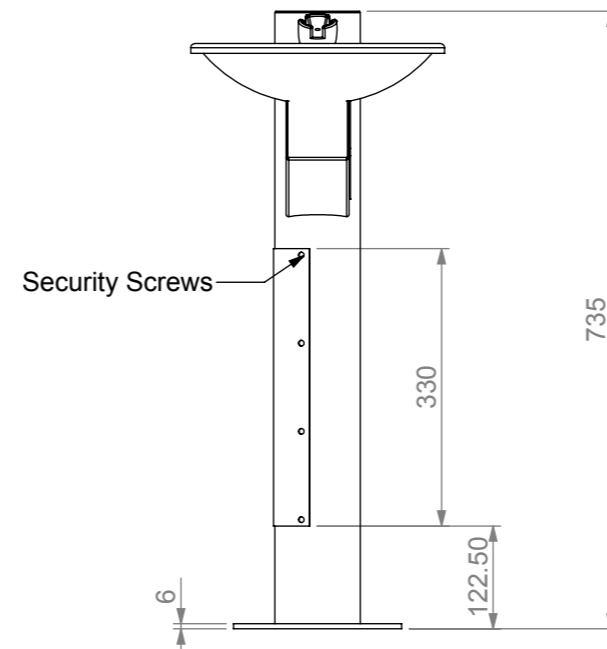
PLAN VIEW



ISOMETRIC VIEW



FRONT VIEW



END VIEW

**Product Details**

Waste : 40mm P.V.C  
 Water Connection : 1/2" BSP

REV.	NAME	DATE	DESCRIPTION
B		8/07/2011	
A		8/07/2011	



**STODDART  
 MANUFACTURING**  
 TOM STODDART Pty Ltd ACN 009 690 251  
 149 Jackson Rd Sunnybank Hills Qld 4109  
 PO Box 420 Sunnybank Qld 4109  
 Phone (617) 3345 5011 Fax (617) 3344 1000  
 Email sunnybank@stoddart.com.au  
*Quality in stainless steel*

NAME				SIGNATURE		DATE		UNLESS OTHERWISE SPECIFIED: DIMENSIONS ARE IN MILLIMETERS		PART No: <b>SPPL-DF-MS-FS-D Rev C</b>	
DRAWN				J Pickels		20/04/2009				DESCRIPTION:	
APPVD								MATERIAL:		DWG No: SPPL-DF-MS-FS-D-d001 Rev C	
Weight:								THICKNESS:		Dwg. Issue	
Surface Area:								FINISH:		2	
DO NOT SCALE DRAWING				This drawing remains the property of Tom Stoddart Pty Ltd & cannot be reproduced without prior permission.				A3		Sheet 1 of 19	