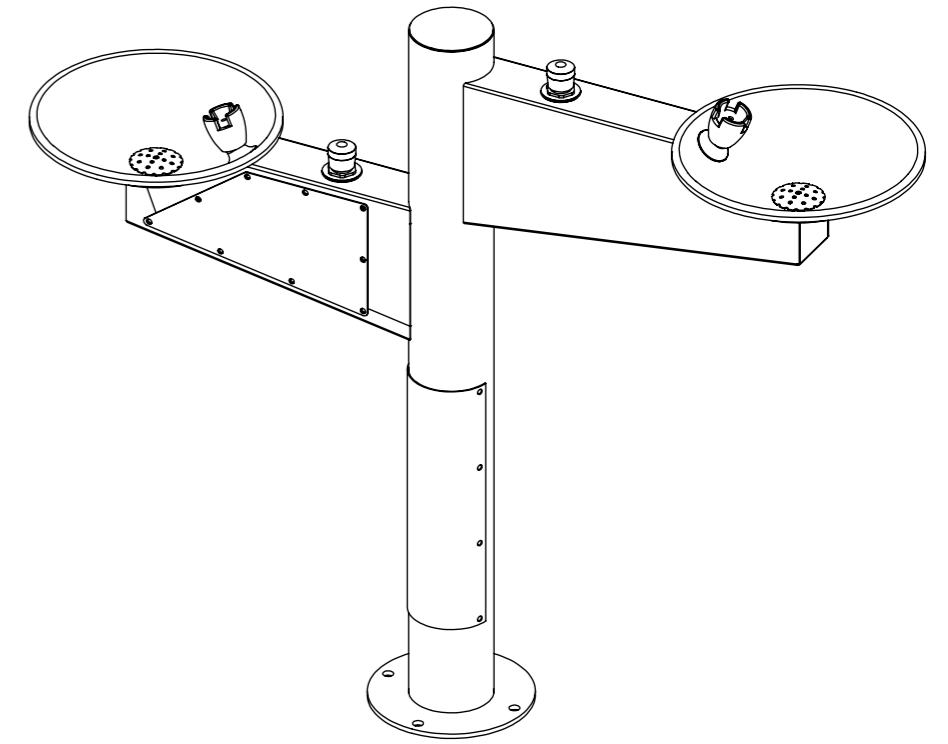
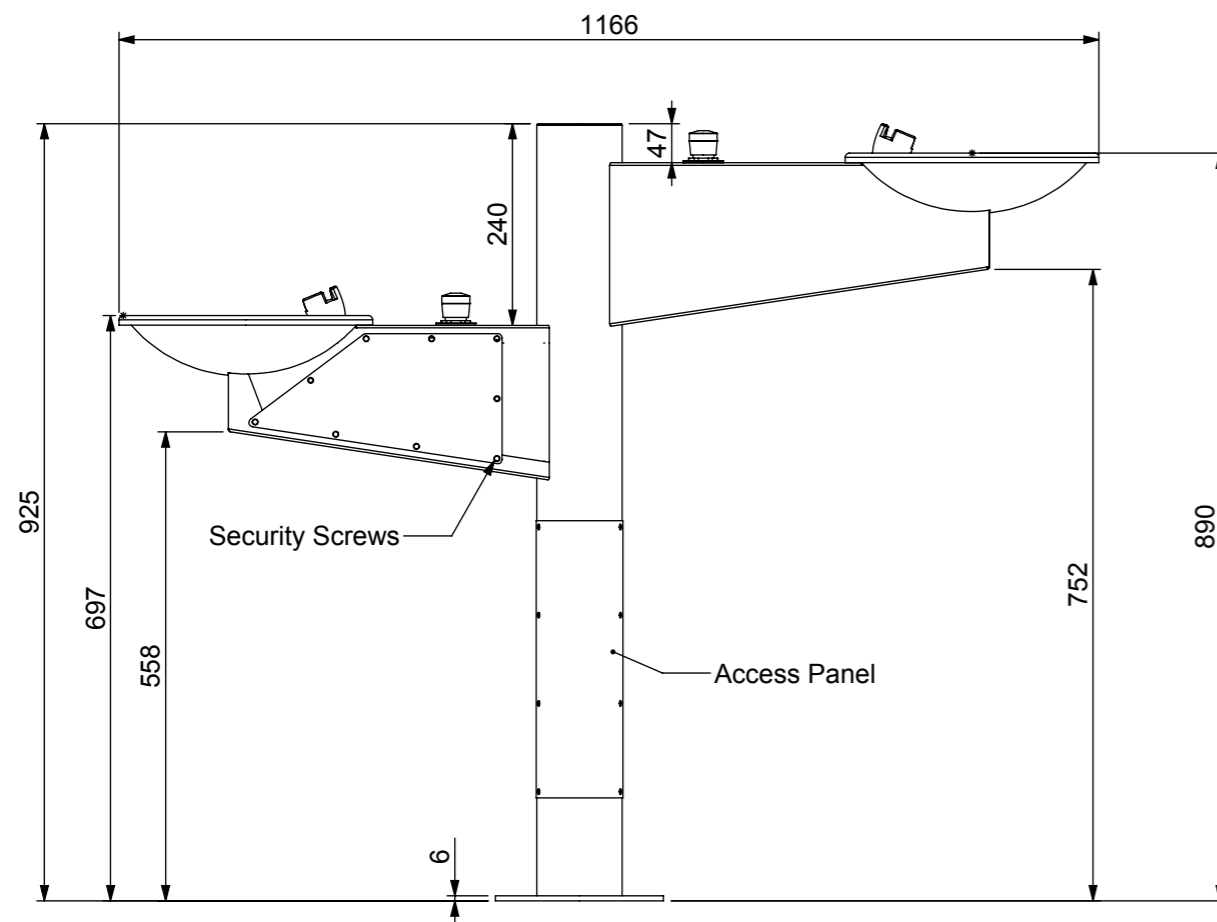


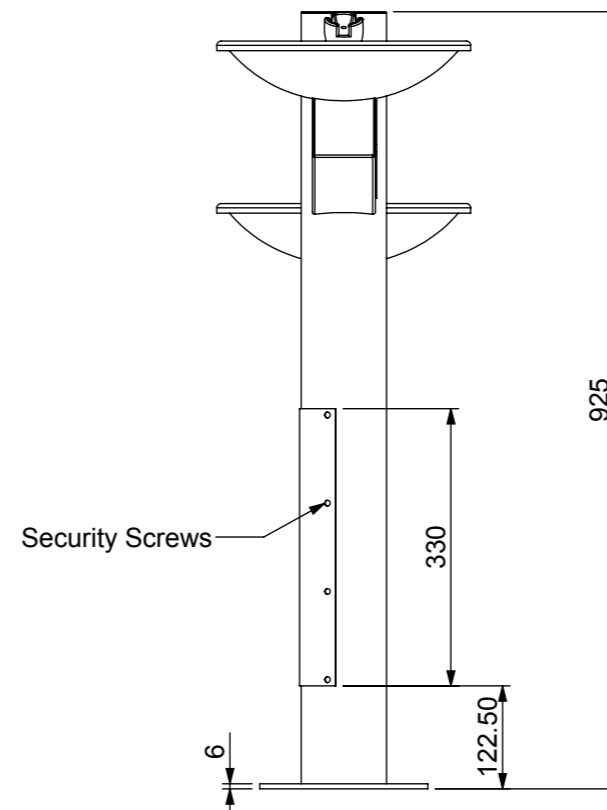
PLAN VIEW



ISOMETRIC VIEW



FRONT VIEW



END VIEW

Product Details

Waste : 40mm P.V.C
 Water Connection : 1/2" BSP

REVISION TABLE				
REV.	REVISED BY	DATE	REVISION DESCRIPTION	STATUS
C	M Love	14/07/2011	1.Galvin bubbler and button replaced old bubbler and button 2.Amended to comply with disabled code	
B	J Pickels	12/10/2009	1.Galvin button replaced Stoddart S/S button 2.Post changed from 1.6mm to 2mm thick	
A	J Pickels	20/04/2009	For manufacture	



STODDART MANUFACTURING
 TOM STODDART Pty Ltd ACN 009 690 251
 149 Jackson Rd Sunnybank Hills Qld 4109
 PO Box 420 Sunnybank Qld 4109
 Phone (617) 3345 5011 Fax (617) 3344 1000
 Email sunnybank@stoddart.com.au
Quality in stainless steel

NAME				SIGNATURE		DATE		UNLESS OTHERWISE SPECIFIED: DIMENSIONS ARE IN MILLIMETERS		PART No: SPPL-DF-MD-FS-a001 Rev C	
DRAWN				J Pickels		14/07/2011				DESCRIPTION:	
APPVD								MATERIAL:		DWG No: SPPL-DF-MD-FS-d001 Rev C	
Weight:								THICKNESS:		Dwg. Issue	
Surface Area:								FINISH:		1	
DO NOT SCALE DRAWING				This drawing remains the property of Tom Stoddart Pty Ltd & cannot be reproduced without prior permission.				A3		Sheet 1 of 23	