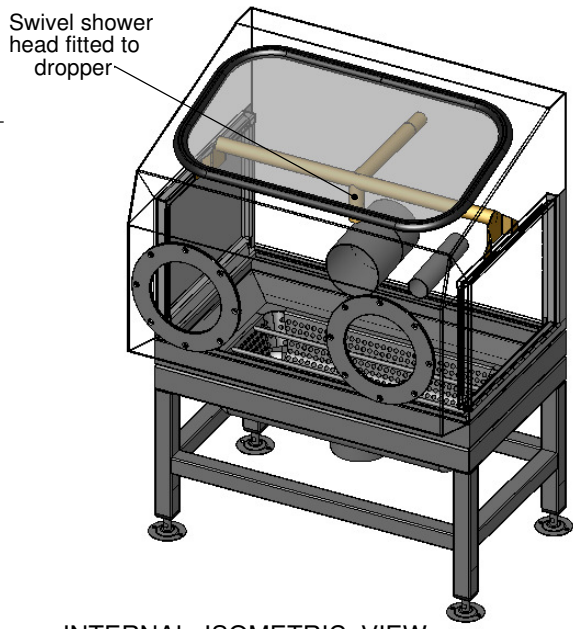
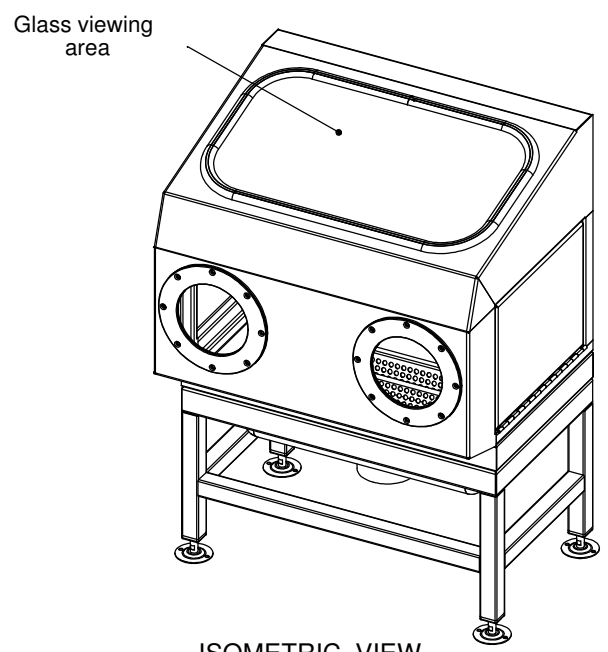


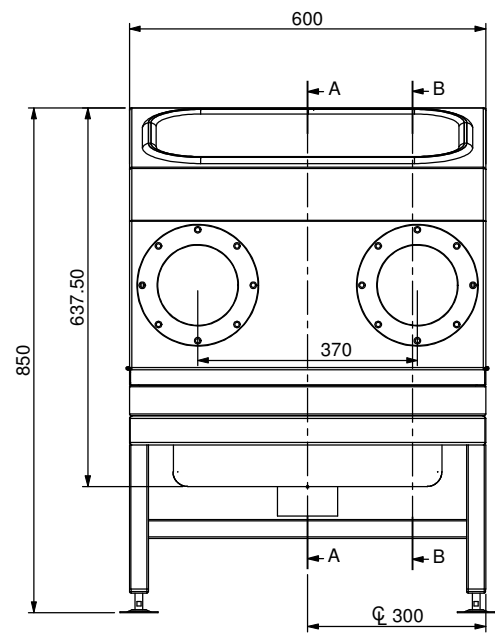
PLAN VIEW



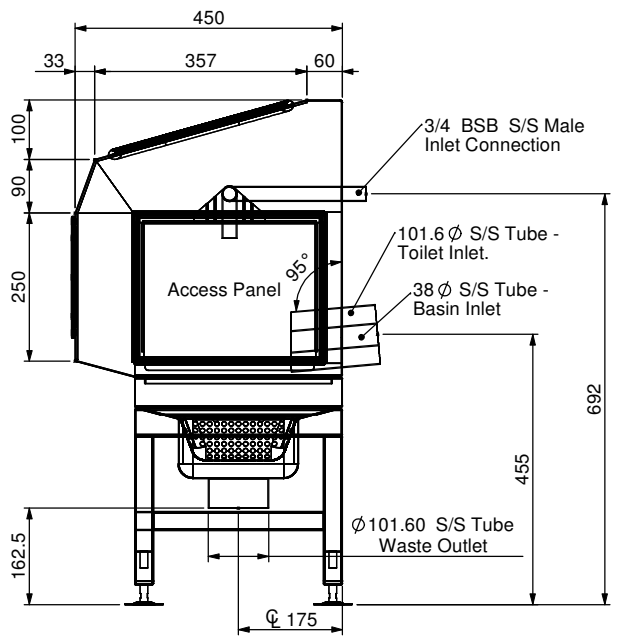
INTERNAL ISOMETRIC VIEW



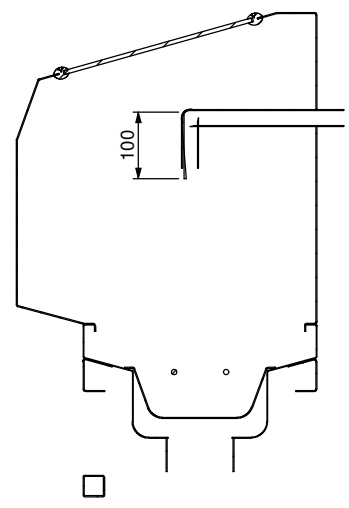
ISOMETRIC VIEW



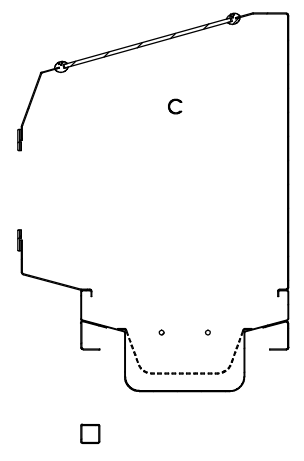
FRONT VIEW



END VIEW



SECTION A-A



SECTION B-B

STODDART MANUFACTURING
 TOM STODDART Pty Ltd ACN 009 690 251
 215 Jackson Rd Sunnybank Hills Qld 4109
 P.O. Box 420 Sunnybank Qld 4109
 Phone: (617) 3344 2444 Fax: (617) 3344 6403
 Email: sunnybank@stoddart.com.au
Quality in stainless steel

PRODUCT: Control Toilet					Press:	Programmed by:	Date:	Punch:	Die:
DRAWN J Pickels					PART No: CT Rev A				
APPVD					DESCRIPTION: General Drawing				
Weight:					MATERIAL:				
Surface Area:					THICKNESS:				
					FINISH:				
DO NOT SCALE DRAWING					This drawing remains the property of Tom Stoddart Pty Ltd & cannot be reproduced without prior permission.				
					A3		Sheet 1 of 30		