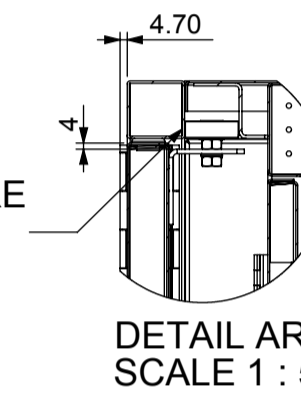
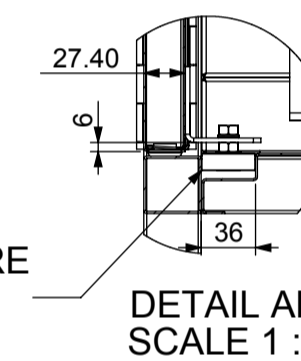


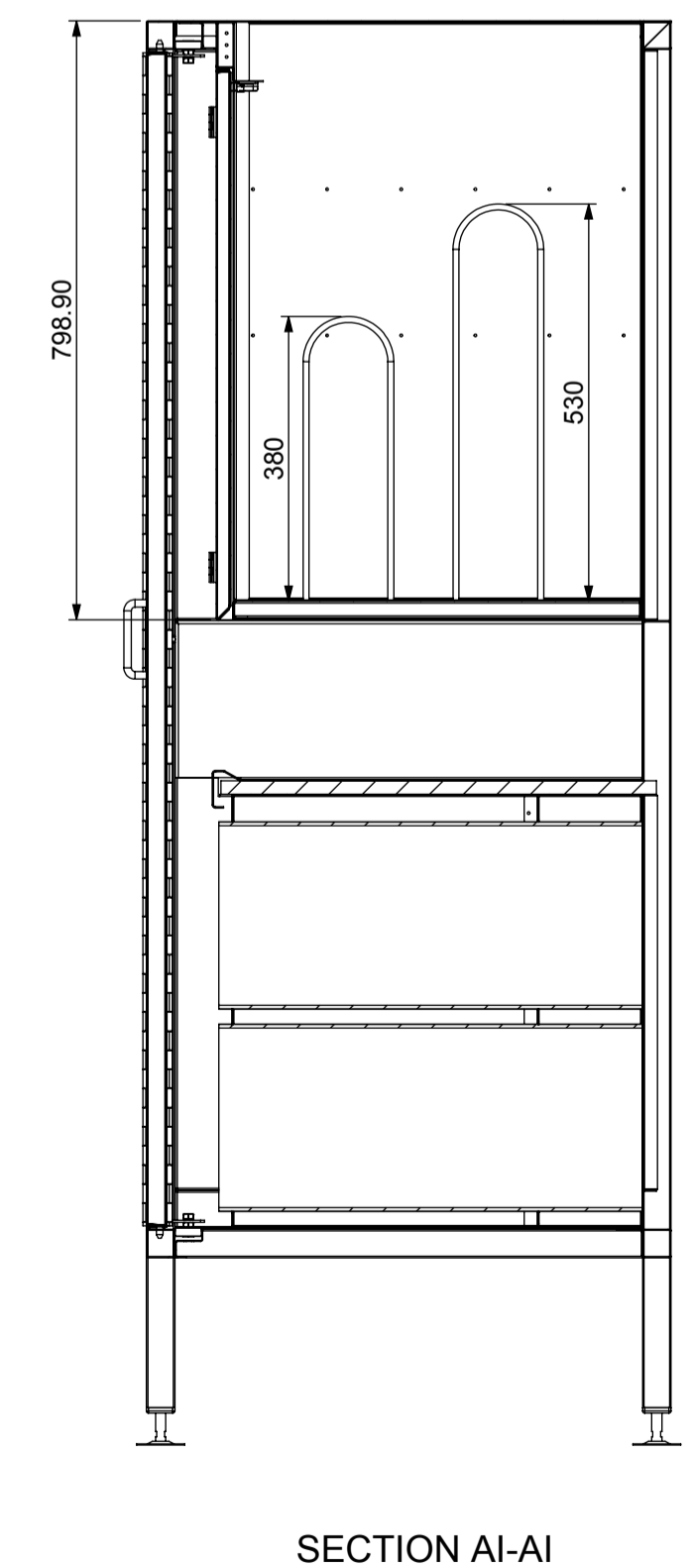
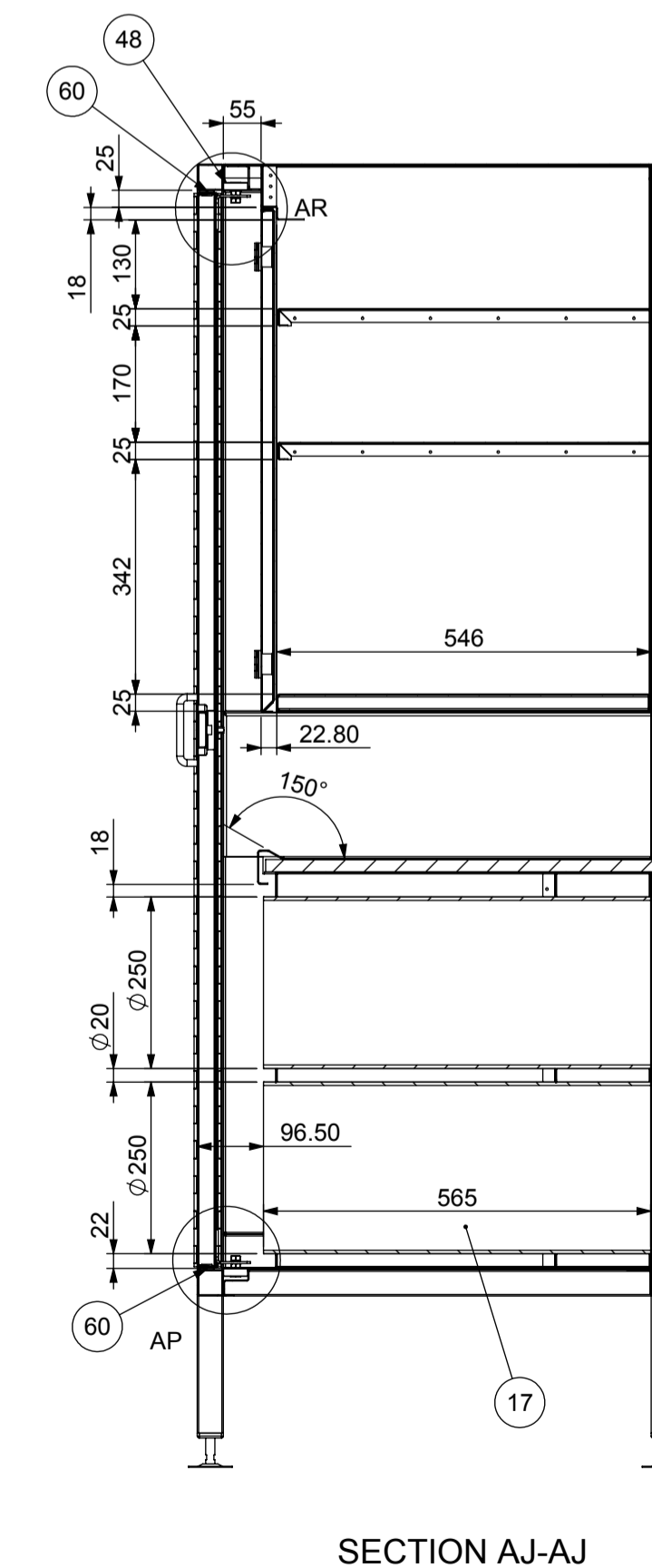
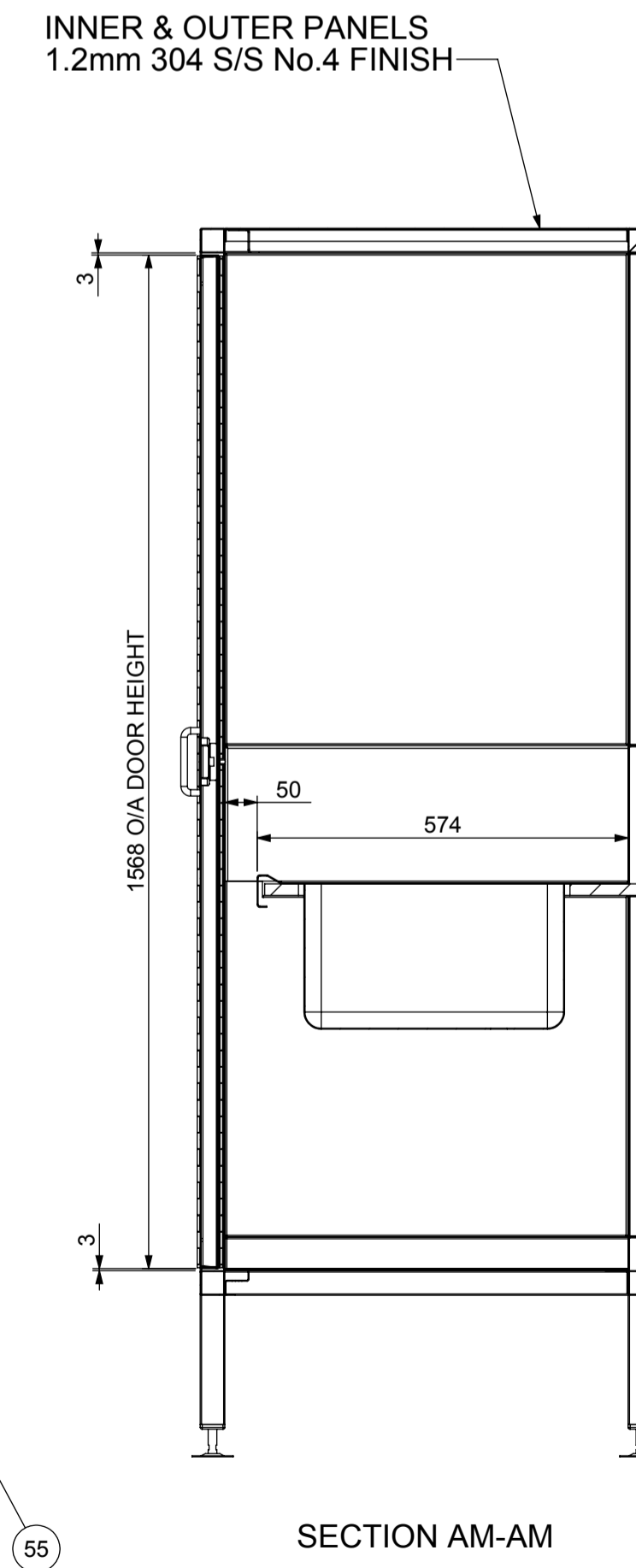
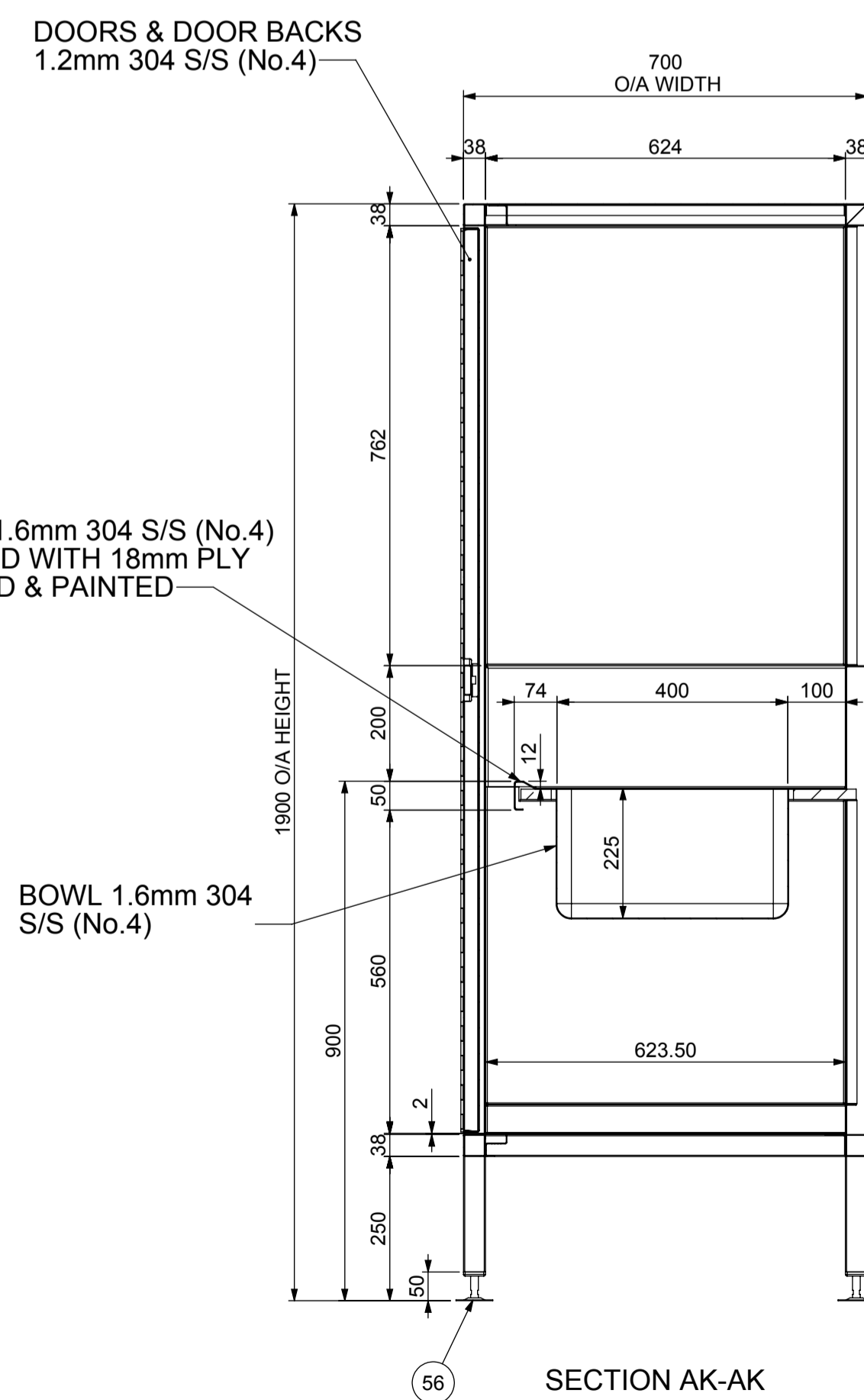
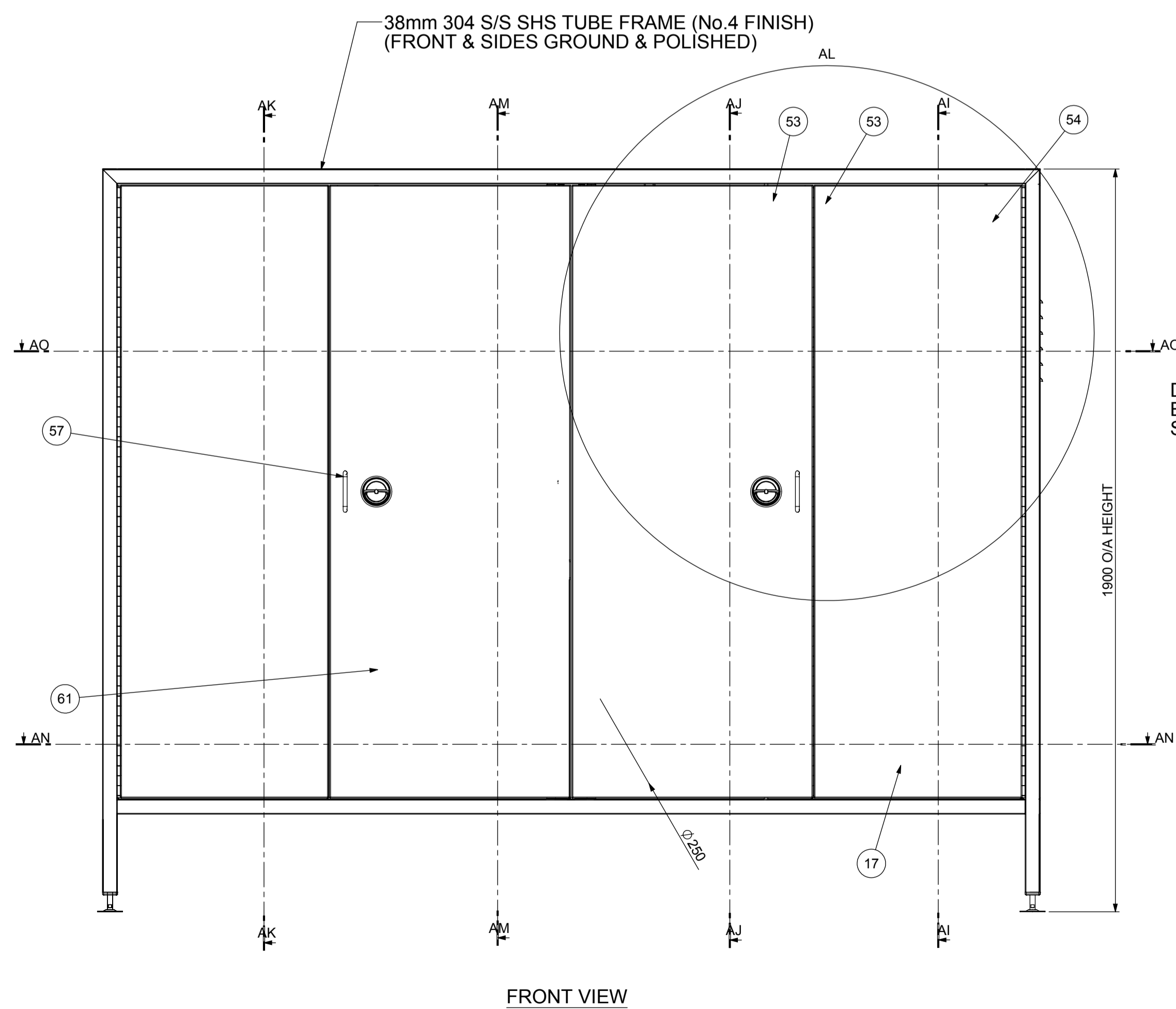
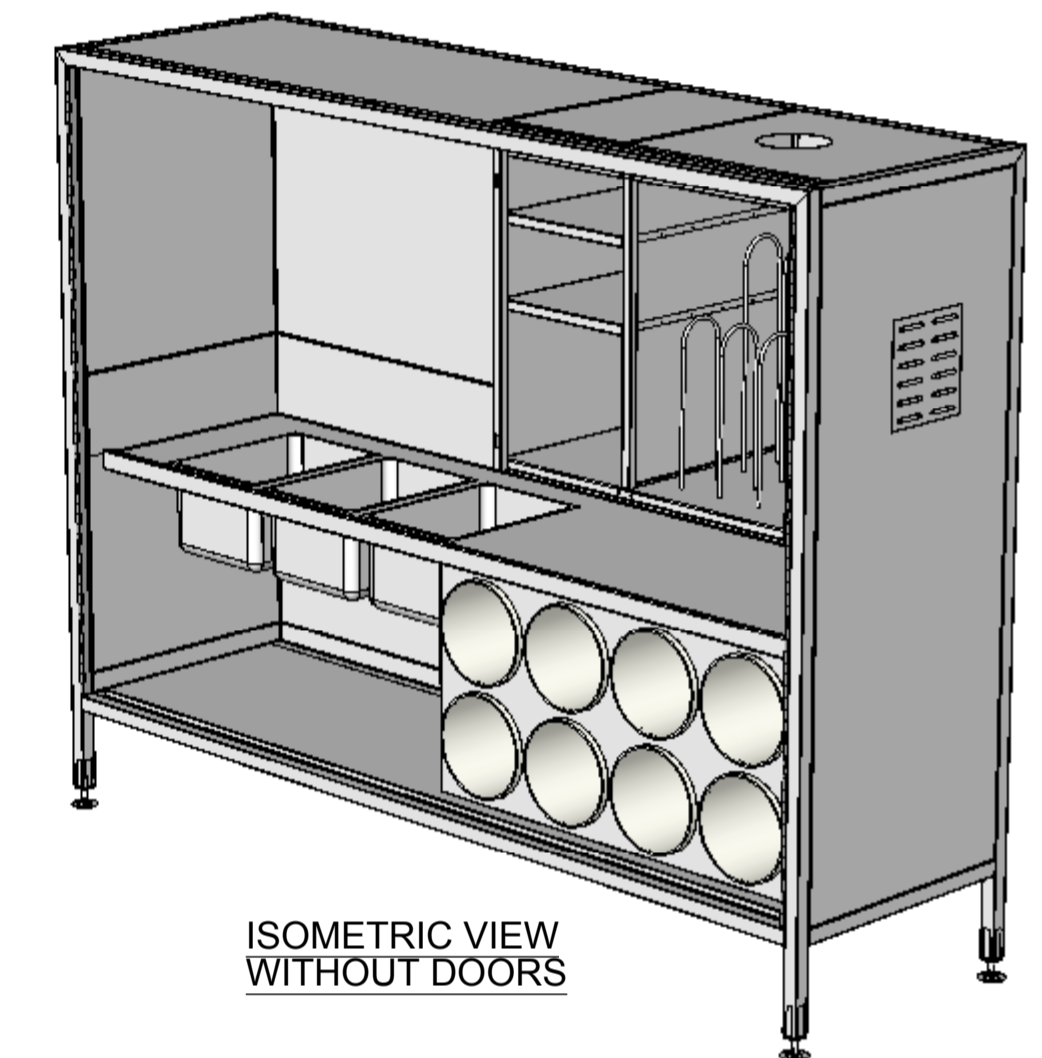
TOP TRACK & ROLLER ASSEMBLY TO RETAIN CENTRE DOORS



NOTE: RETAINER ASSEMBLY WILL ALLOW DOOR TO BI-FOLD WHEN OPENING



BOTTOM TRACK & ROLLER ASSEMBLY TO RETAIN CENTRE DOORS



REVISION TABLE			
REV.	REVISED BY	DATE	REVISION DESCRIPTION
C	S ELLS	20/02/2008	For Approval
B	C STEPHENSEN	20/09/2007	For Construction
A	R MIDDLETON	04/09/2007	For Approval

**STODDART MANUFACTURING**  
 TOLL STODDART PH 133 ACN 009 660 251  
 149 Jackson Rd Sunnybank Hills Qld 4109  
 PO Box 420 Sunnybank Qld 4109  
 Phone (617) 3344 5011 Fax (617) 3344 1000  
 Email sunnybank@stoddart.com.au

SCALE: 1:10	DRAWN: S Ells	CHECKED:	APPROVED:	TITLE: BA Station Cupboard
DATE: 13/11/2008	DATE:	DATE:	DATE:	ITEM NO:
TOLERANCE REFER TO TS-WT-01-12	TOLERANCE REFER TO TS-WT-01-12	WELDING REFER TO TS-WT-01-11	WELDING REFER TO TS-WT-01-11	PROJECT: Project Name
CLIENT: Client Name	CLIENT: Client Name	CLIENT: Client Name	CLIENT: Client Name	DRAWING NO: SPPL-CA-BA-2400-700-3-1
This drawing remains the property of Tom Stoddart Pty. Ltd. & cannot be reproduced without prior permission.				ISSUE: ?