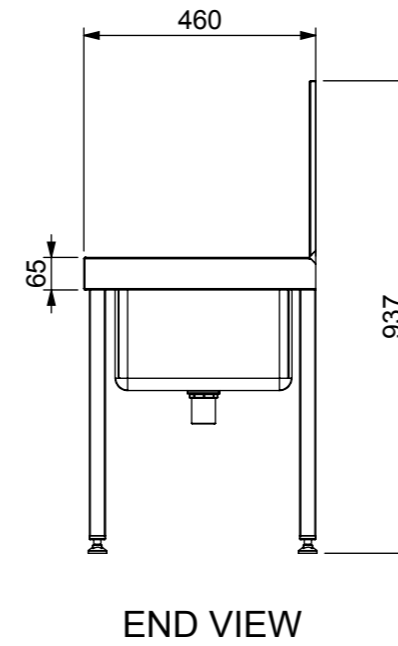
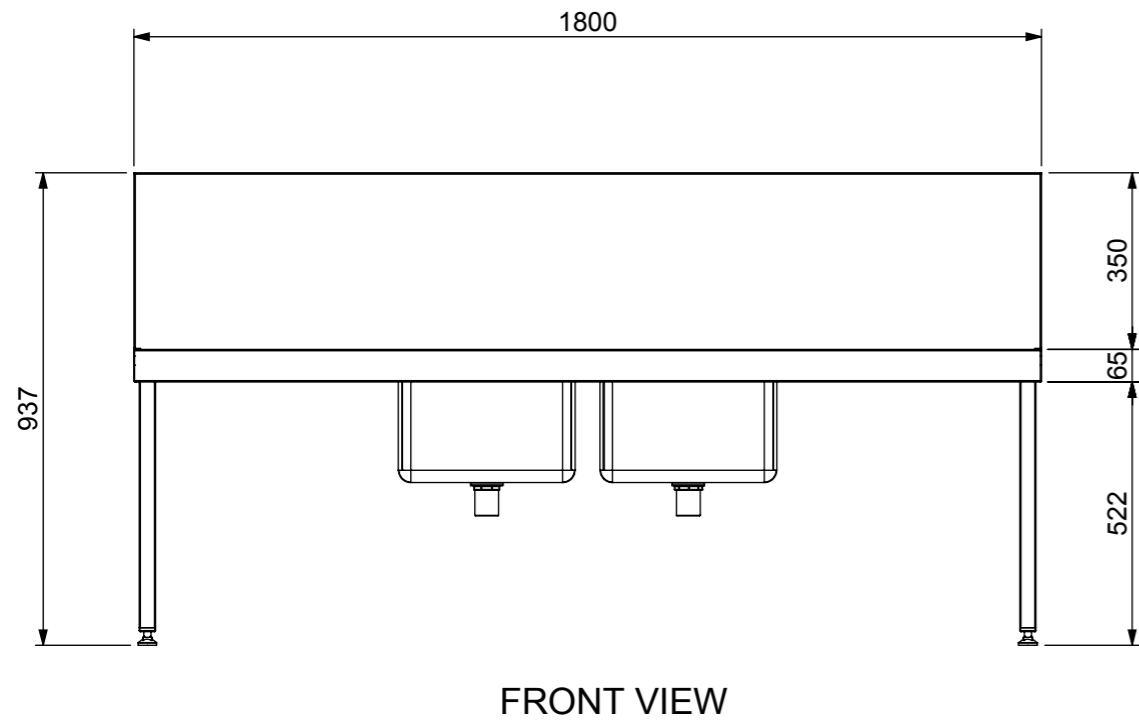
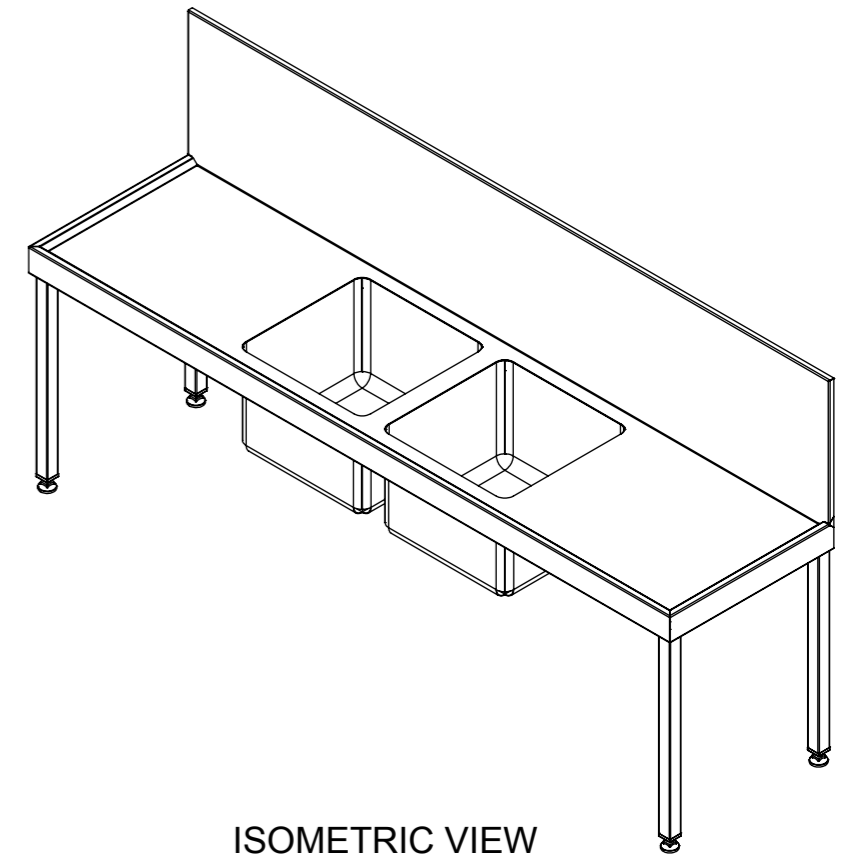



- Deck  
-1.2 304 No 4 S/S
- Deck Backing  
-18mm Ply sealed and painted white
- Undershelf  
-1.2 304 No4 S/S
- Splashback  
-12mm Ply sealed
- Bowl  
-1.2 304 No 4 S/S 25mm radius corners  $\phi$  50mm plug and waste
- Tube Frame  
-32x32x1.2 304 No4 S/S RHS

FLAT PACK  
Some assembly required on site



**STODDART  
MANUFACTURING**

TOM STODDART Pty Ltd ACN 009 690 251  
149 Jackson Rd Sunnybank Hills Qld 4109  
PO Box 420 Sunnybank Qld 4109  
Phone (617) 3345 5011 Fax (617) 3344 1000  
Email sunnybank@stoddart.com.au  
*Quality in stainless steel*

				PART No: <b>SPPL-BE-WSS35-46-180-FM-VAR-Rev B</b>	
NAME	SIGNATURE	DATE	UNLESS OTHERWISE SPECIFIED: DIMENSIONS ARE IN MILLIMETERS	DESCRIPTION:	
DRAWN Y Vasdekis		7/01/2011			
APPVD			MATERIAL: THICKNESS: FINISH:	DWG No: SPPL-BE-WSS35-46-180-FM-VAR-Rev B	
Weight: Surface Area:					
DO NOT SCALE DRAWING			This drawing remains the property of Tom Stoddart Pty Ltd & cannot be reproduced without prior permission.		A3
				Sheet 1 of 8	

Dwg. Issue  
**2**