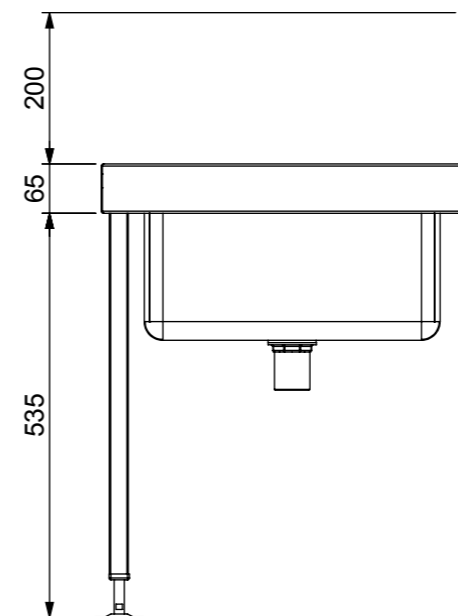
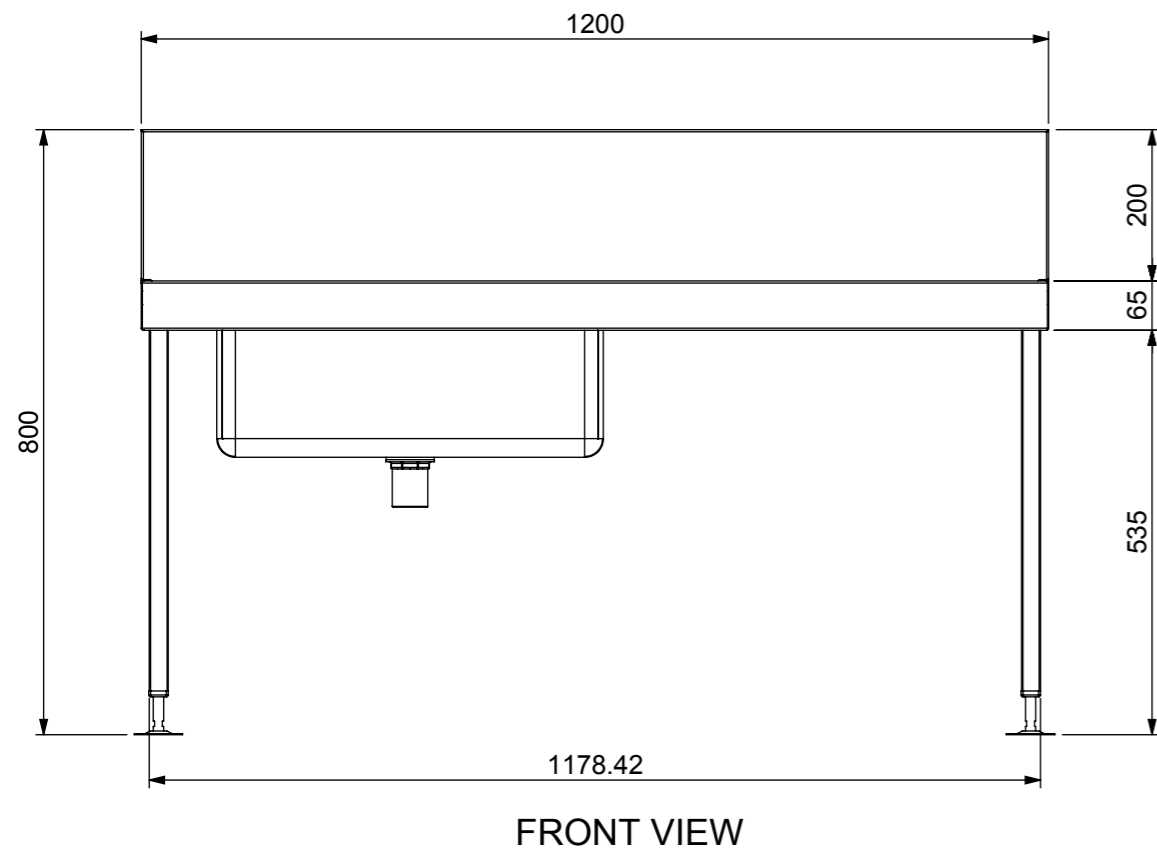
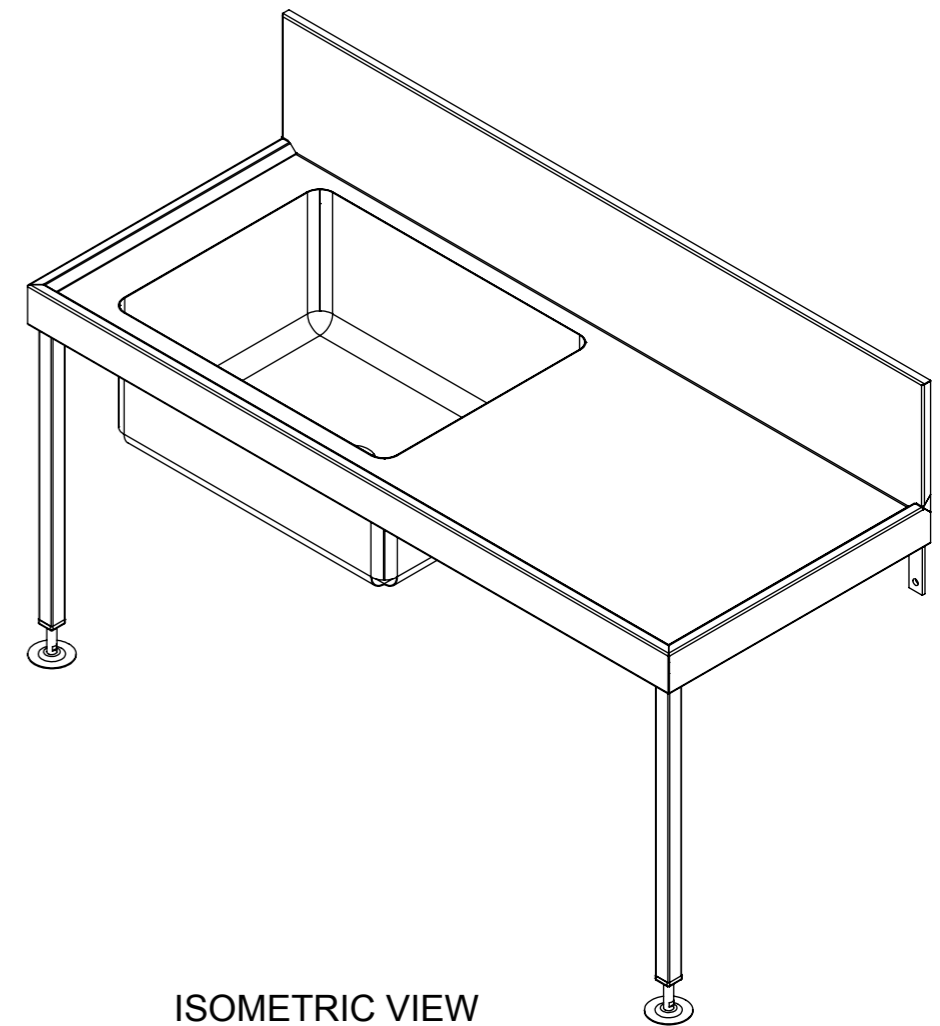



Deck
-1.2 304 No 4 S/S
Deck Backing
-18mm Ply sealed and painted white
Splashback
-12mm Ply sealed
Bowl
-1.2 304 No 4 S/S 25mm radius corners ϕ 50mm plug and waste
Tube Frame
-32x32x1.2 304 No4 S/S RHS

FLAT PACK
Some assembly required on site



**STODDART
MANUFACTURING**

TOM STODDART Pty Ltd ACN 009 690 251
149 Jackson Rd Sunnybank Hills Qld 4109
PO Box 420 Sunnybank Qld 4109
Phone (617) 3345 5011 Fax (617) 3344 1000
Email sunnybank@stoddart.com.au
Quality in stainless steel

				PART No: SPPL-BE-WSS20-49-120-FM-VAR-Rev B	
NAME	SIGNATURE	DATE	UNLESS OTHERWISE SPECIFIED: DIMENSIONS ARE IN MILLIMETERS	DESCRIPTION:	
DRAWN Y Vasdekis		24/01/2011			
APPVD			MATERIAL: THICKNESS: FINISH:	DWG No: SPPL-BE-WSS20-49-120-FM-VAR-Rev B	
Weight: Surface Area:					
DO NOT SCALE DRAWING			This drawing remains the property of Tom Stoddart Pty Ltd & cannot be reproduced without prior permission.		
			A3	Sheet 1 of 9	

Dwg. Issue
2