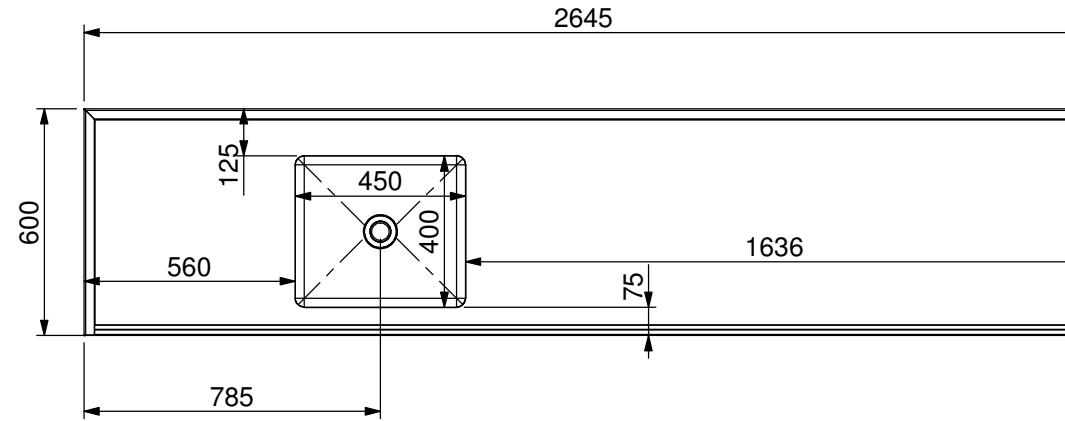


**Bench**  
 -304 Grade 1.2mm Stainless Steel  
 2645mm long x 600mm wide with a 300mm splayed rear splashback.

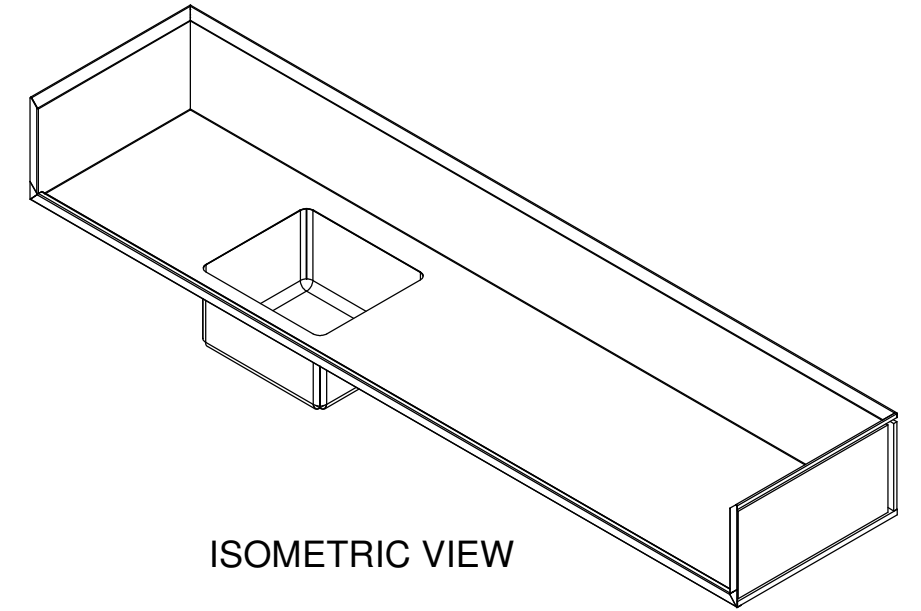
**Deck Backing**  
 -18mm Ply sealed and painted white

**Splashback**  
 -12mm Ply painted and sealed

**Sink**  
 -304 Grade 1.2mm Stainless Steel  
 450mm x 400mm x 250mm  
 Positioned at the right or left  
 25mm radius corners  
 Ø 50mm chrome plated plug and waste

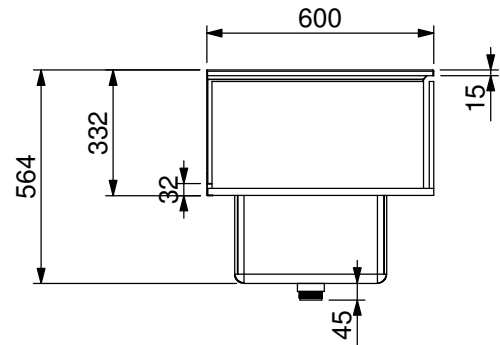


PLAN VIEW

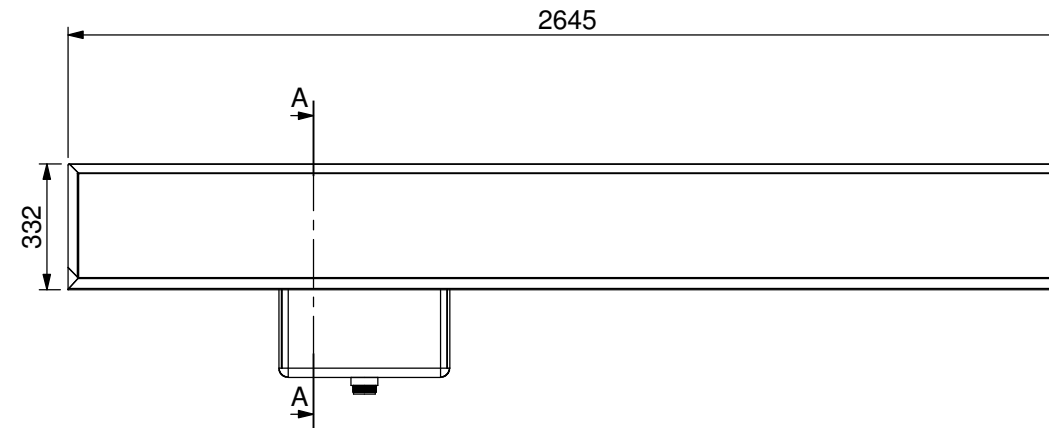


ISOMETRIC VIEW

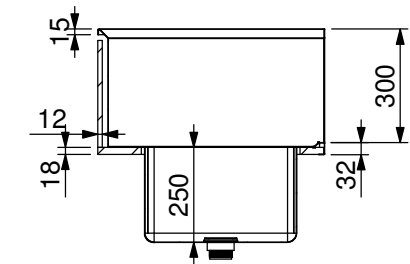
\*Bench to be used for display purposes.  
 \*Ensure good quality finish.



END VIEW



FRONT VIEW



SECTION A-A  
 SCALE 1 : 20



**STODDART  
 MANUFACTURING**

TOM STODDART Pty Ltd ACN 009 690 251  
 149 Jackson Rd Sunnybank Hills Qld 4109  
 PO Box 420 Sunnybank Qld 4109  
 Phone (617) 3345 5011 Fax (617) 3344 1000  
 Email sunnybank@stoddart.com.au

*Quality in stainless steel*

				PART No: <b>SPPL-BE-WCT-1BL-2645-VAR</b>	
				DESCRIPTION: <b>SPPL-BE-WCA30-60-264-1B550</b>	
DRAWN Y Vasdekis		SIGNATURE		DATE 8/02/2011	
APPV'D				UNLESS OTHERWISE SPECIFIED: DIMENSIONS ARE IN MILLIMETERS	
Weight:		MATERIAL:		THICKNESS:	
Surface Area:		FINISH:		DWG No: SPPL-BE-WCT-1BL-2645-VAR-Rev B	
DO NOT SCALE DRAWING		This drawing remains the property of Tom Stoddart Pty Ltd & cannot be reproduced without prior permission.		A3	
				Sheet 1 of 8	
				Dwg. Issue <b>2</b>	