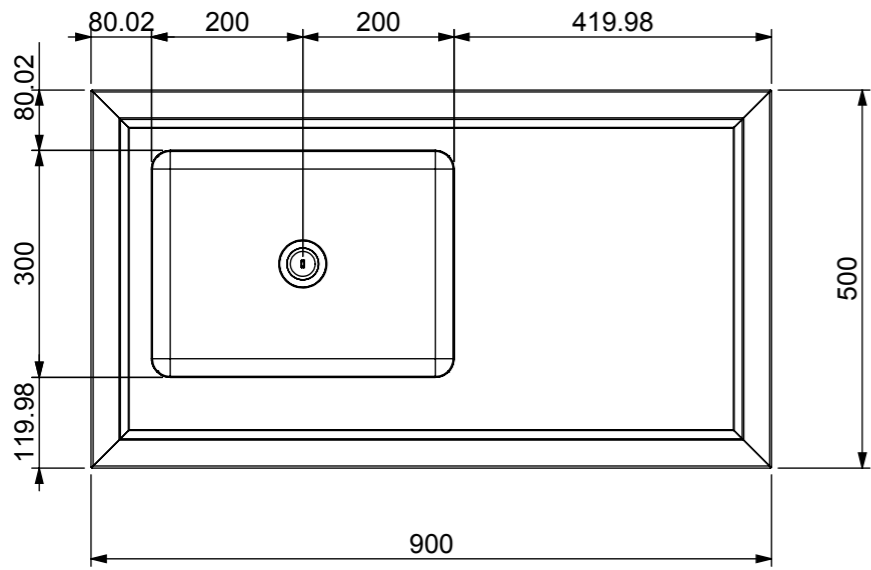
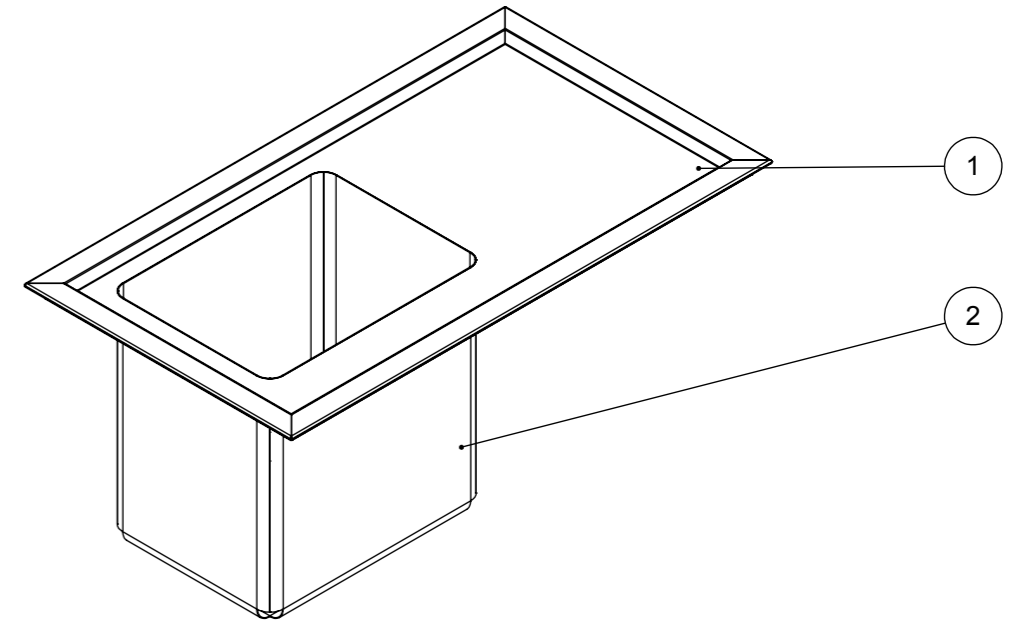


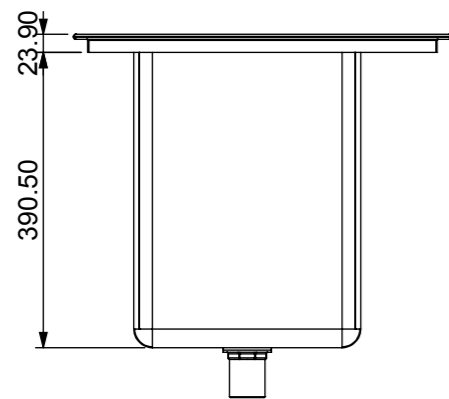
ITEM NO.	PART NUMBER	Description (Standard Sizing)	Material (304 or 316 Grade S/S)	Customize (LengthXWidthXDepth)	QTY.	Client's Signature:  Date:
1	SPPL-BE-DI-50-090-VAR-P2	S/S Counter Top 900X500	316 N4 S/S		1	
2	SPPL-BE-DI-50-090-VAR-P1	Sink 400X300X400 DEEP	316 N4 S/S		1	
3	CMPL-0256	PVC White 50mm Plug & Waste			1	



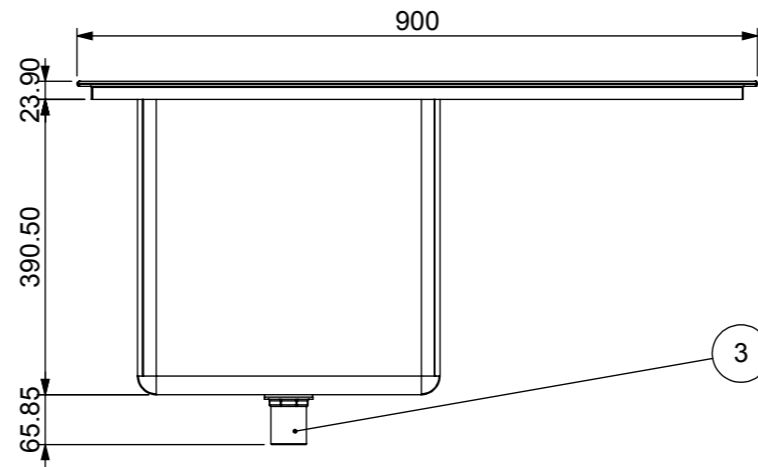
PLAN VIEW



ISOMETRIC VIEW



FRONT VIEW



END VIEW



**STODDART  
MANUFACTURING**

TOM STODDART Pty Ltd ACN 009 690 251  
149 Jackson Rd Sunnybank Hills Qld 4109  
PO Box 420 Sunnybank Qld 4109  
Phone (617) 3345 5011 Fax (617) 3344 1000  
Email sunnybank@stoddart.com.au  
*Quality in stainless steel*

DRAWN Y Vasdekis				SIGNATURE		DATE 31/01/2011		UNLESS OTHERWISE SPECIFIED: DIMENSIONS ARE IN MILLIMETERS		PART No: <b>SPPL-BE-DI-50-090-VAR</b>	
APPVD								MATERIAL:		DESCRIPTION:	
Weight:								THICKNESS:		DWG No: SPPL-BE-DI-50-090-VAR	
Surface Area:								FINISH:		Dwg. Issue <b>2</b>	
DO NOT SCALE DRAWING				This drawing remains the property of Tom Stoddart Pty Ltd & cannot be reproduced without prior permission.				A3		Sheet 1 of 5	