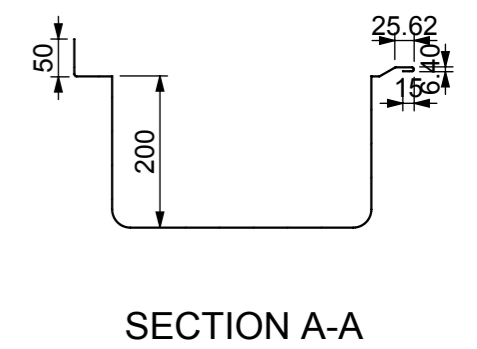
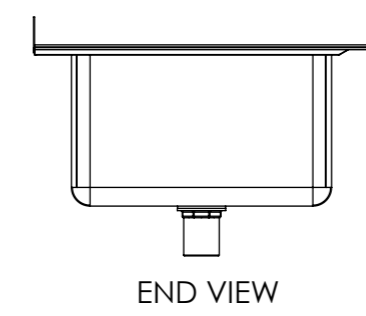
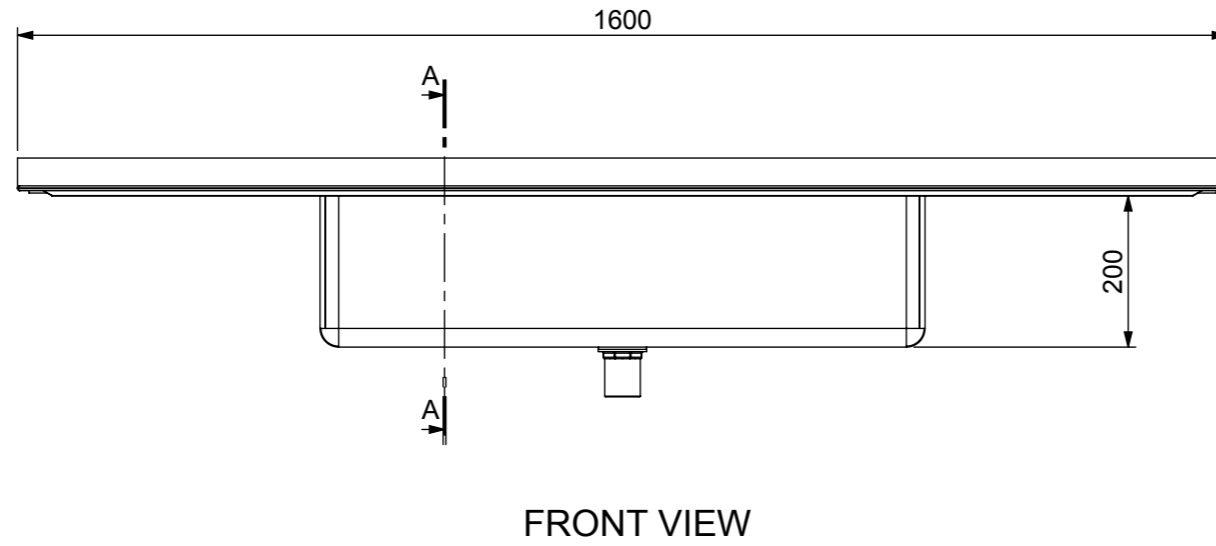
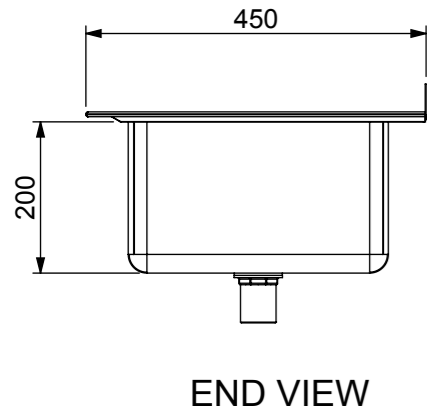
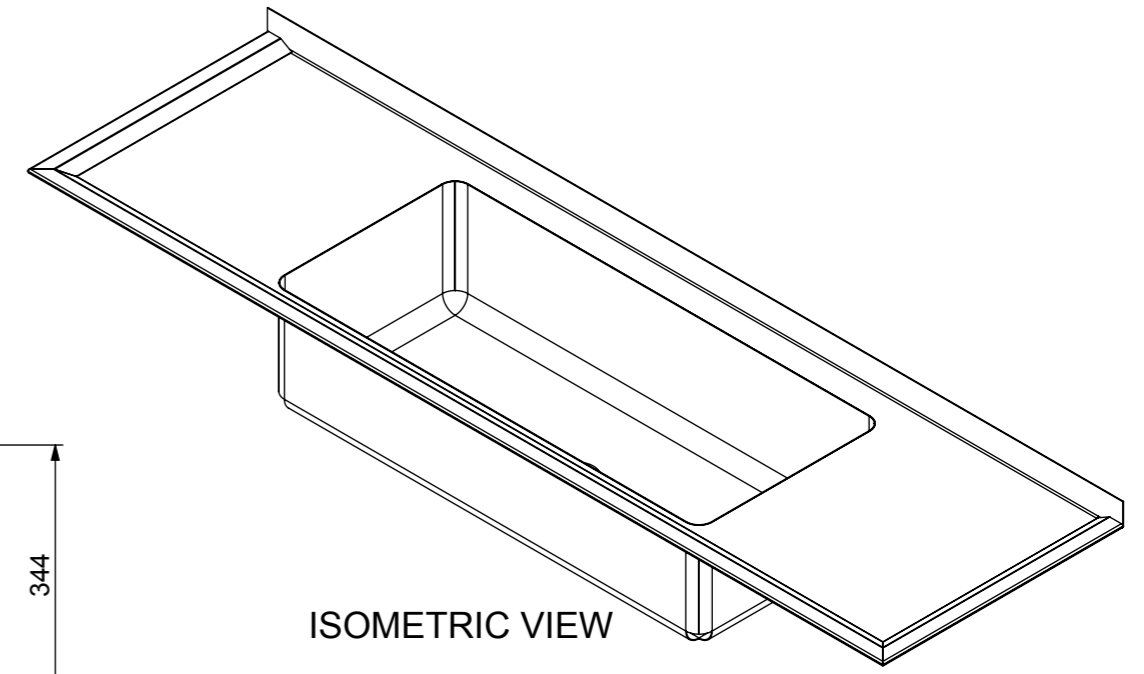
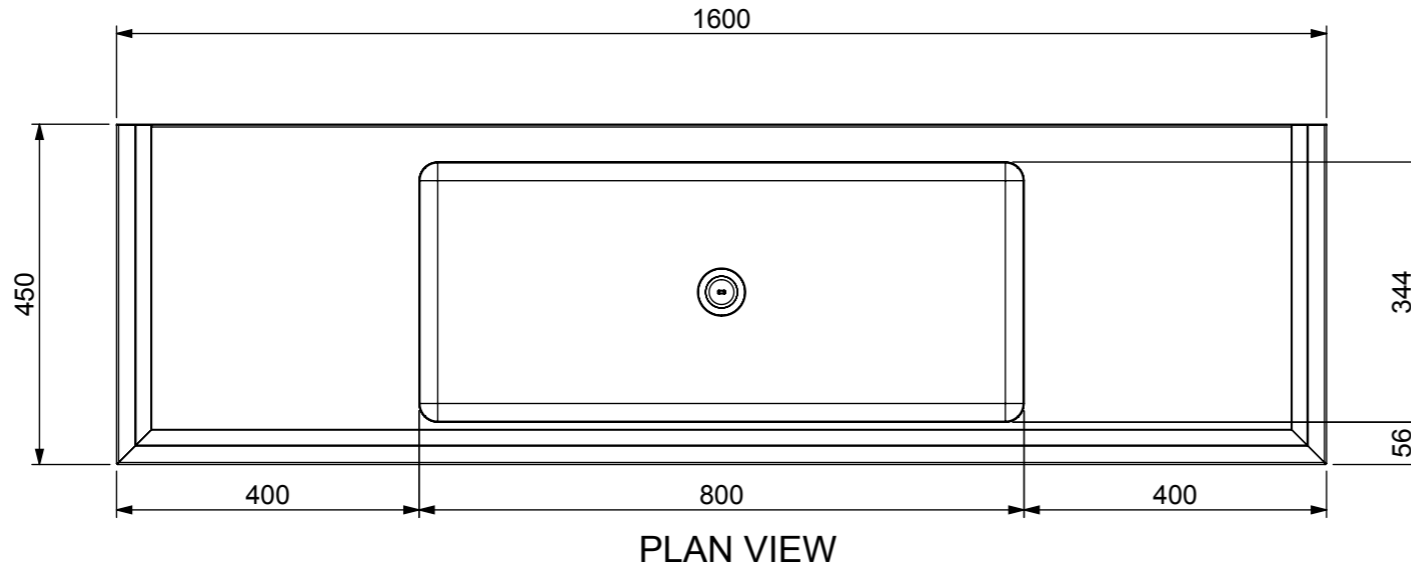


Deck
 -T.2 304 No 4 S/S
 Deck Backing
 -T8mm Ply sealed and
 painted white
 Bowl
 -T.2 304 No 4 S/S 25mm
 radius corners ϕ 50mm
 plug and waste
 Tube Frame
 -32x32xT.2 304 No4 S/S RHS

FLAT PACK
 Some assembly
 required on site



**STODDART
 MANUFACTURING**
 TOM STODDART Pty Ltd ACN 009 690 251
 149 Jackson Rd Sunnybank Hills Qld 4109
 PO Box 420 Sunnybank Qld 4109
 Phone (617) 3345 5011 Fax (617) 3344 1000
 Email sunnybank@stoddart.com.au
Quality in stainless steel

				PART No: SPPL-BE-DI-45-160-VAR	
UNLESS OTHERWISE SPECIFIED: DIMENSIONS ARE IN MILLIMETERS				DESCRIPTION:	
NAME	SIGNATURE	DATE			
DRAWN Y Vasdekis		25/01/2011			
APPVD			MATERIAL:		
Weight:			THICKNESS:		
Surface Area:			FINISH:		
DO NOT SCALE DRAWING			This drawing remains the property of Tom Stoddart Pty Ltd & cannot be reproduced without prior permission.		A3
				DWG No: SPPL-BE-DI-45-160-VAR-Rev B	
				Dwg. Issue 2	
				Sheet 1 of 5	