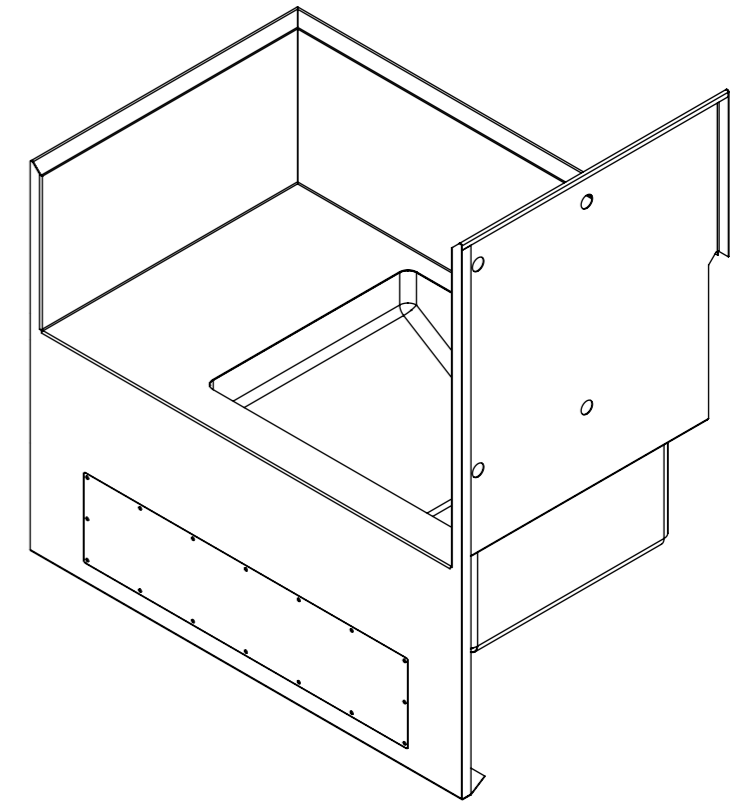
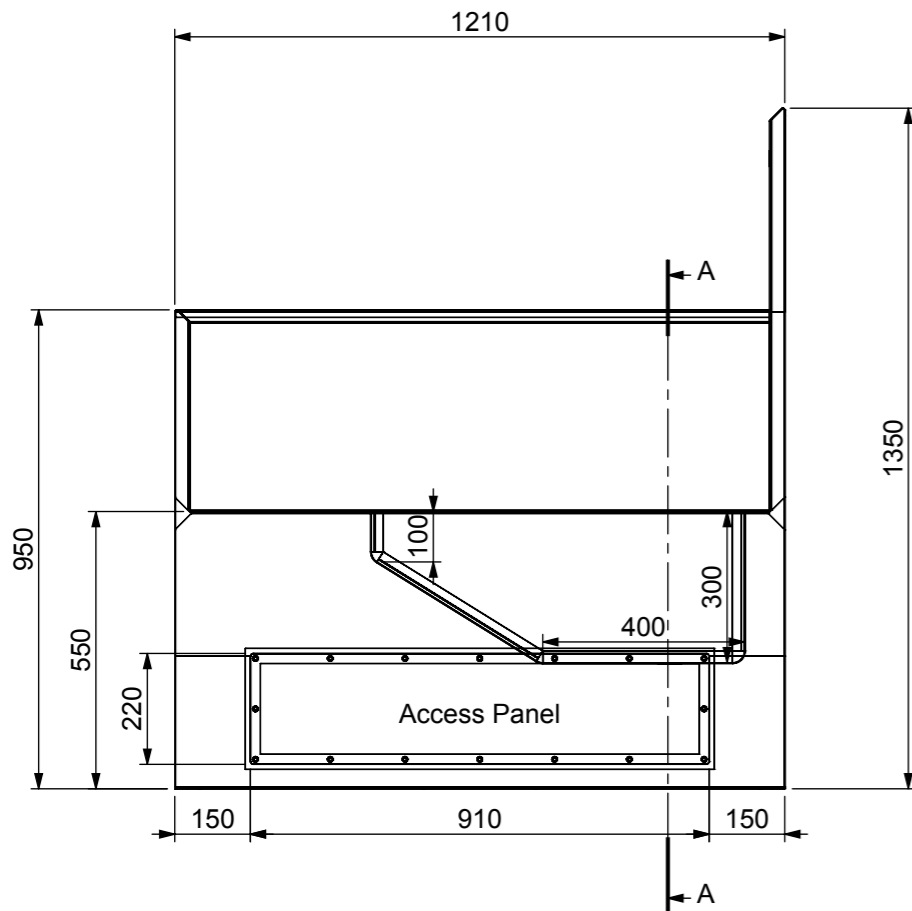


PLAN VIEW

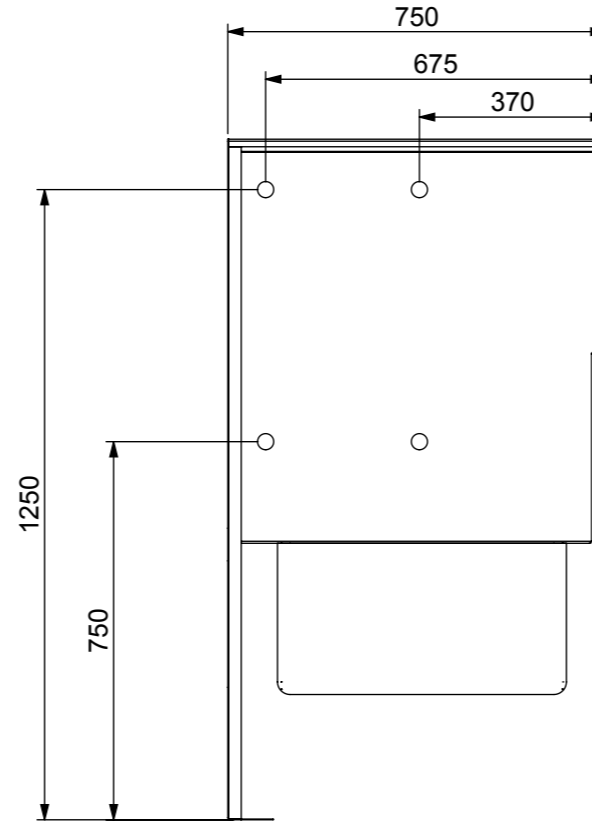
1.5mm S/S Panels backed with 18mm ply



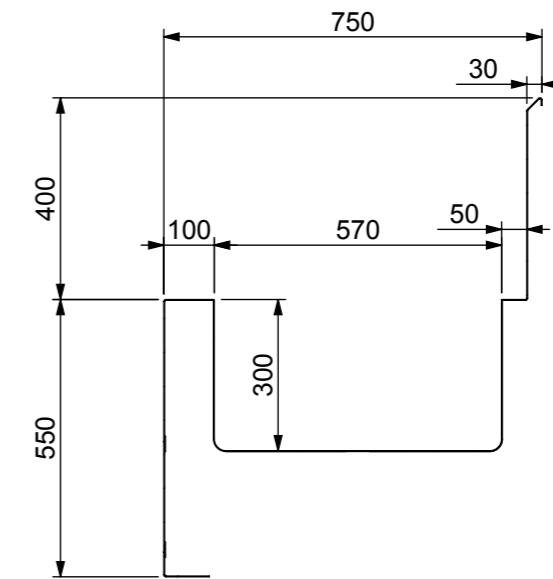
ISOMETRIC VIEW



FRONT VIEW



END VIEW



SECTION A-A

R 11 A . 08



**STODDART
MANUFACTURING**

TOM STODDART Pty Ltd ACN 009 690 251
215 Jackson Rd Sunnybank Hills Qld 4109
P.O. Box 420 Sunnybank Qld 4109
Phone: (617) 3344 2444 Fax: (617) 3344 6403
Email: sunnybank@stoddart.com.au

Quality in stainless steel

| | | | | | | | |
|----------------------|-----------|--|------------|--|--------|------|--------------|
| Press: | | Programmed by: | | Date: | Punch: | Die: | |
| PRODUCT: Bath | | PART No: MB-a001 | | DESCRIPTION: General Drawing | | | |
| DRAWN | J Pickels | SIGNATURE | DATE | UNLESS OTHERWISE SPECIFIED: DIMENSIONS ARE IN MILLIMETERS | | | |
| APPVD | | | 13/08/2009 | MATERIAL: | | | |
| Weight: | | | | THICKNESS: | | | |
| Surface Area: | | | | FINISH: | | | |
| DO NOT SCALE DRAWING | | This drawing remains the property of Tom Stoddart Pty Ltd & cannot be reproduced without prior permission. | | | | A3 | Sheet 1 of 9 |
| | | DWG No: MB-d001 | | REVISION A | | | |