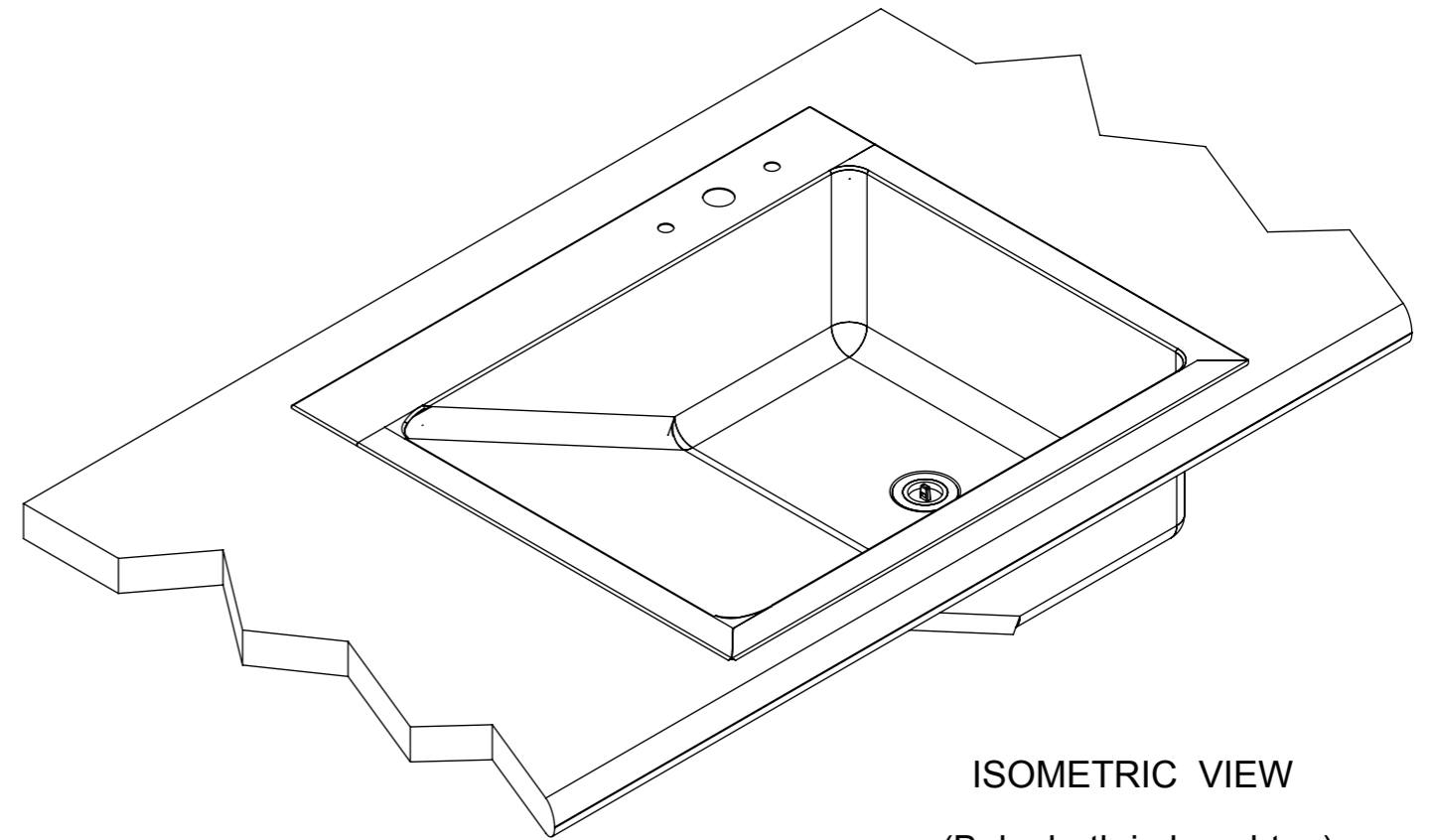
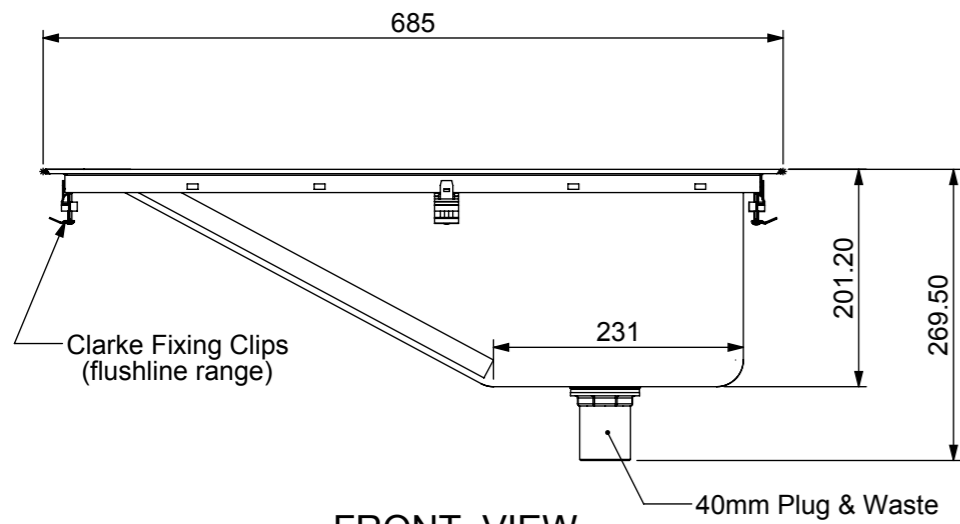


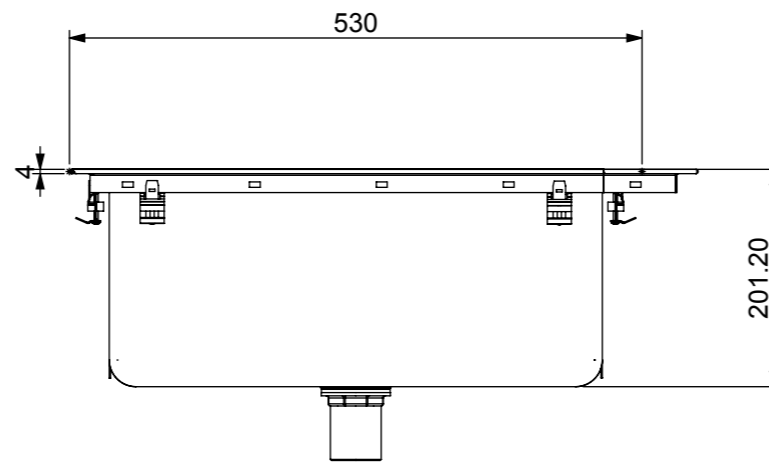
PLAN VIEW



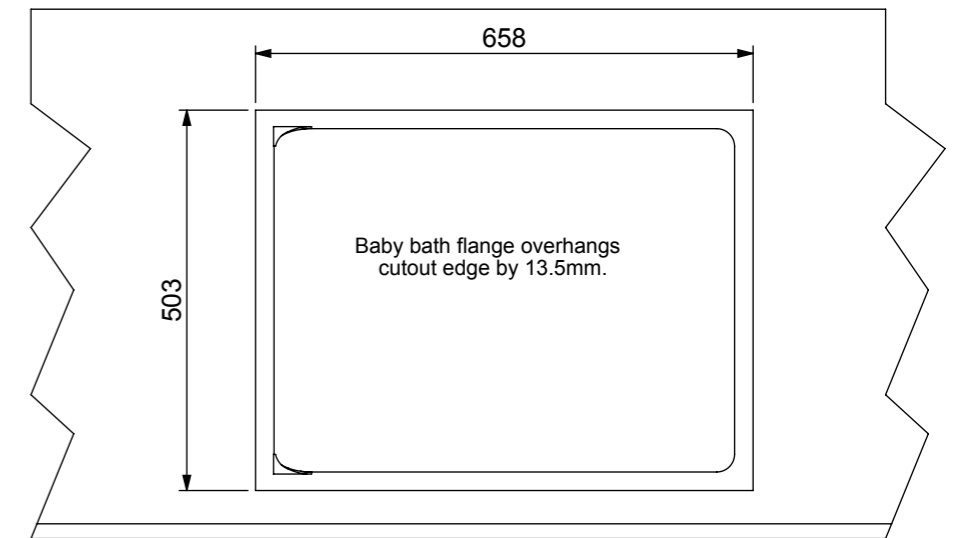
ISOMETRIC VIEW  
(Baby bath in benchtop)



FRONT VIEW



END VIEW



BENCHTOP CUTOUT SIZE



**STODDART  
MANUFACTURING**

TOM STODDART Pty Ltd ACN 009 690 251  
149 Jackson Rd Sunnybank Hills Qld 4109  
PO Box 420 Sunnybank Qld 4109  
Phone (617) 3345 5011 Fax (617) 3344 1000  
Email sunnybank@stoddart.com.au  
*Quality in stainless steel*

				PART No: <b>SPPL-BB-DI-VAR-a001</b>	
NAME	SIGNATURE	DATE	UNLESS OTHERWISE SPECIFIED: DIMENSIONS ARE IN MILLIMETERS	DESCRIPTION: Baby Bath Drop In	
DRAWN J Pickels		21/08/2008			
APPVD			MATERIAL:	DWG No: SPPL-BB-DI-VAR-d001	
Weight: 7.20 kg			THICKNESS:	Dwg. Issue	
Surface Area: 1.56 M2			FINISH:	0	
DO NOT SCALE DRAWING			This drawing remains the property of Tom Stoddart Pty Ltd & cannot be reproduced without prior permission.		A3
					Sheet 1 of 4