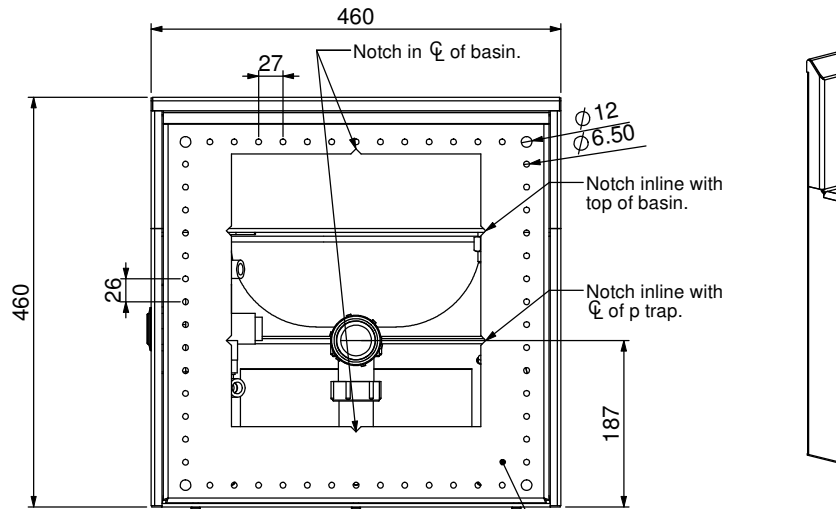
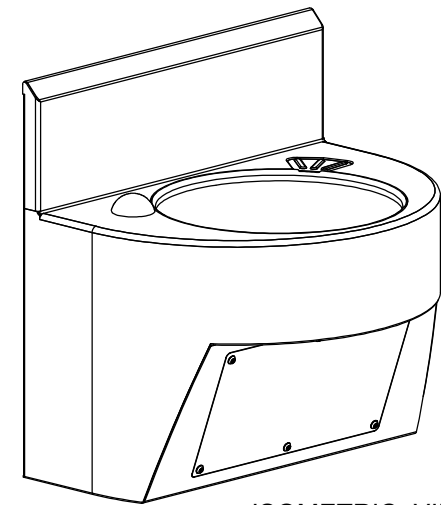


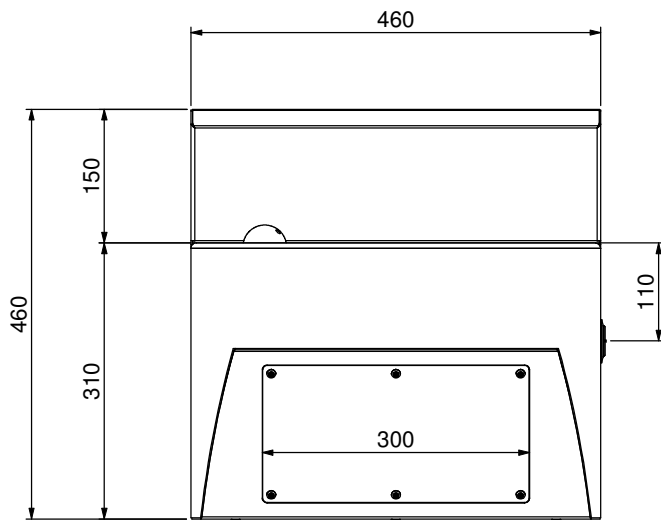
PLAN VIEW



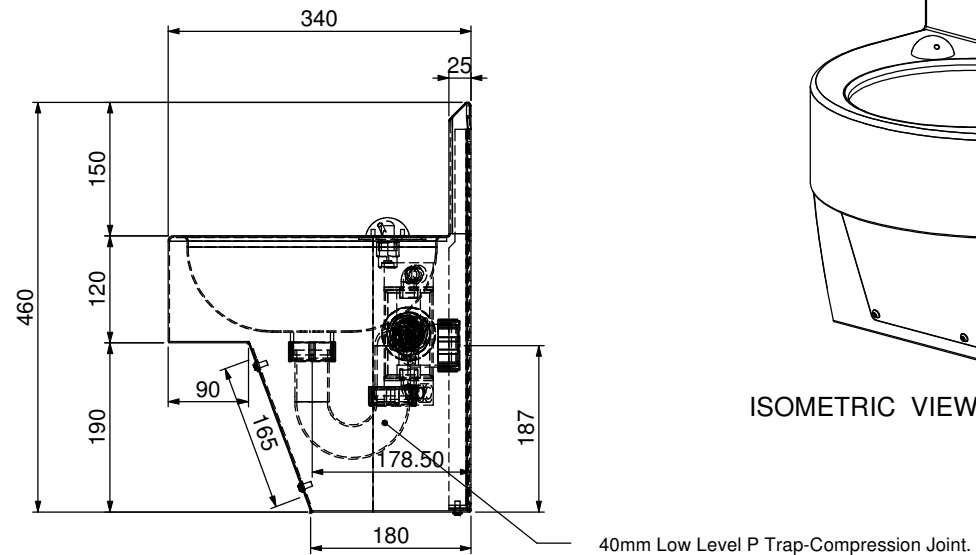
REAR VIEW



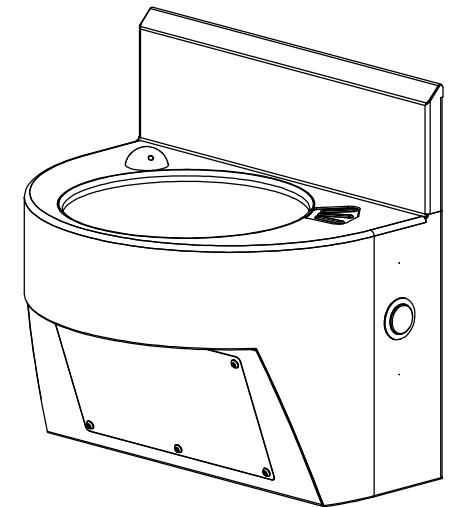
ISOMETRIC VIEW



FRONT VIEW



END VIEW



ISOMETRIC VIEW

40mm Low Level P Trap-Compression Joint.
(Iplex Pipelines - Code: T01240)
(Not supplied with basin, shown for illustration only.)

ALL STAINLESS STEEL PANELS ARE 1.5mm THICK.

MSSB = Manual Secure Side button
ESB = Electronic Side Button



STODDART
MANUFACTURING
TOM STODDART Pty Ltd ACN 009 690 251
149 Jackson Rd Sunnybank Hills Qld 4109
PO Box 420 Sunnybank Qld 4109
Phone (617) 3345 5011 Fax (617) 3344 1000
Email sunnybank@stoddart.com.au
Quality in stainless steel

DRAWN J Pickels				DATE 30/06/2009	UNLESS OTHERWISE SPECIFIED: DIMENSIONS ARE IN MILLIMETERS	PART No: SPPL-WB-SR2-WM-MSSB-a001 Rev A		
APPVD							DESCRIPTION: Wash Basin;Round;Wall Mount;	
Weight: 12.91 kg		Surface Area: 1.90 M2		MATERIAL: THICKNESS: FINISH:		DWG No: SPPL-WB-SR2-WM-MSSB-d001 Rev A	Dwg. Issue 1	
DO NOT SCALE DRAWING				This drawing remains the property of Tom Stoddart Pty Ltd & cannot be reproduced without prior permission.			A3	Sheet 1 of 11