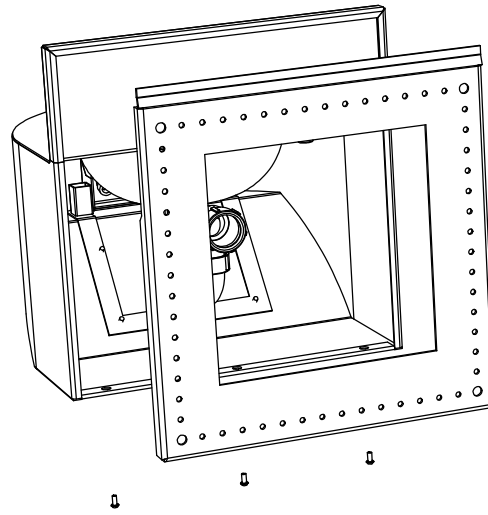
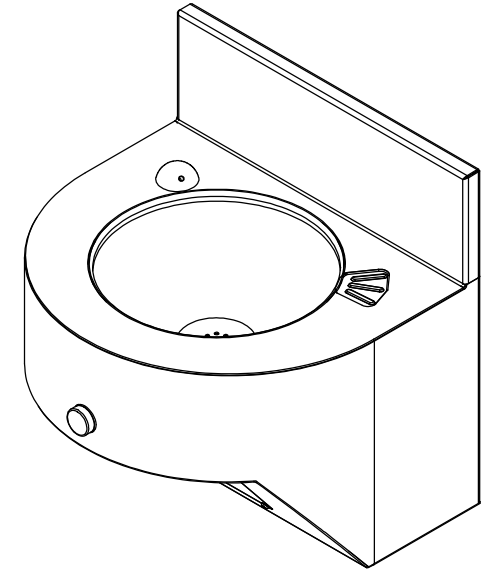


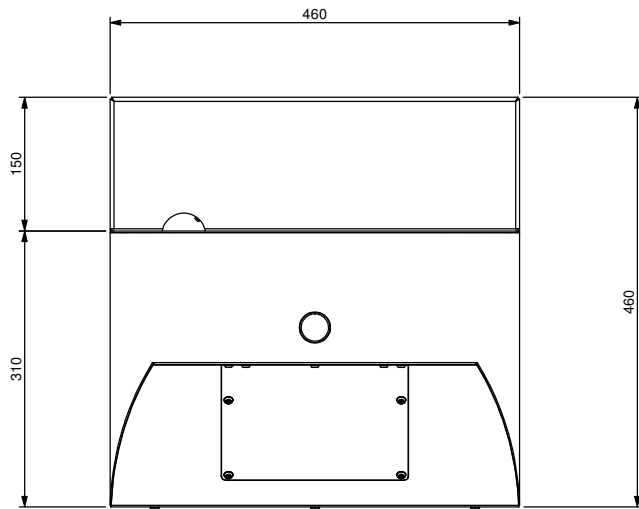
PLAN VIEW



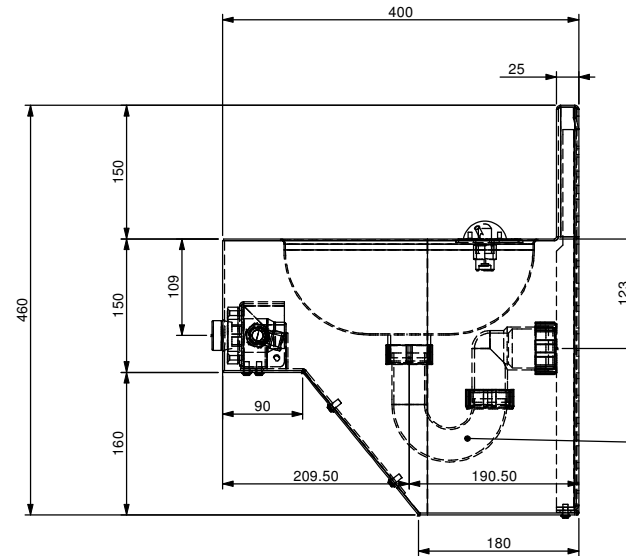
REAR VIEW



ISOMETRIC VIEW



FRONT VIEW



END VIEW

40mm Low Level P Trap-Compression Joint.
(Iplex Pipelines - Code: T01240)
(Not supplied with basin, shown for illustration only.)



**STODDART
MANUFACTURING**
TOM STODDART Pty Ltd ACN 009 690 251
149 Jackson Rd Sunnybank Hills Qld 4109
PO Box 420 Sunnybank Qld 4109
Phone (617) 3345 5011 Fax (617) 3344 1000
Email sunnybank@stoddart.com.au
Quality in stainless steel

				PART No: SPPL-WB-SR2-WM-MFB Rev A	
DRAWN J Pickels				DATE 26/03/2009	
APPV'D				UNLESS OTHERWISE SPECIFIED: DIMENSIONS ARE IN MILLIMETERS	
Weight:				MATERIAL:	
Surface Area:				THICKNESS:	
				FINISH:	
DO NOT SCALE DRAWING				This drawing remains the property of Tom Stoddart Pty Ltd & cannot be reproduced without prior permission.	
				A3	
				Sheet 1 of 13	
				DESCRIPTION: Wash Basin;Round;Wall Mount;Disabled	
				DWG No: SPPL-WB-SR2-WM-MFB Rev A	
				Dwg. Issue	