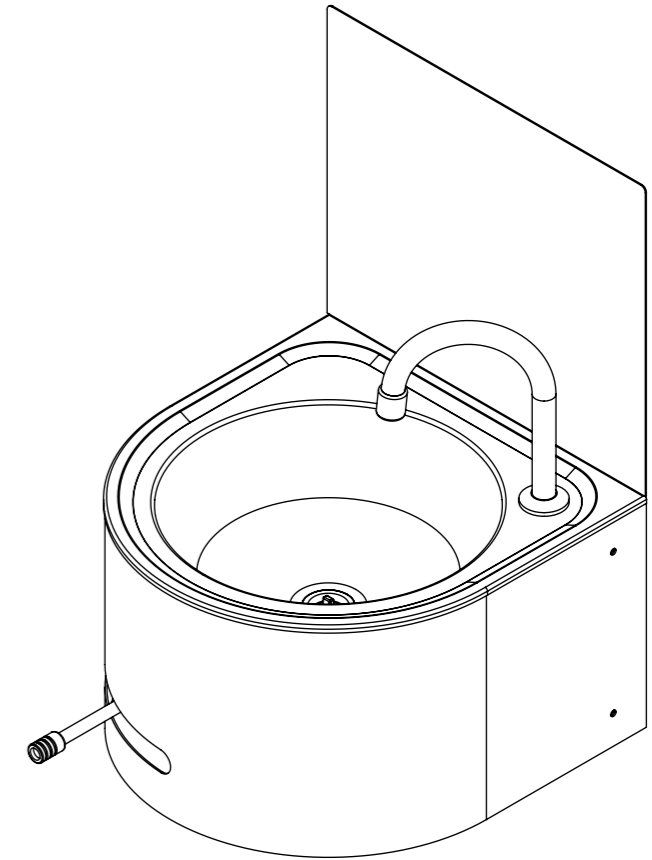
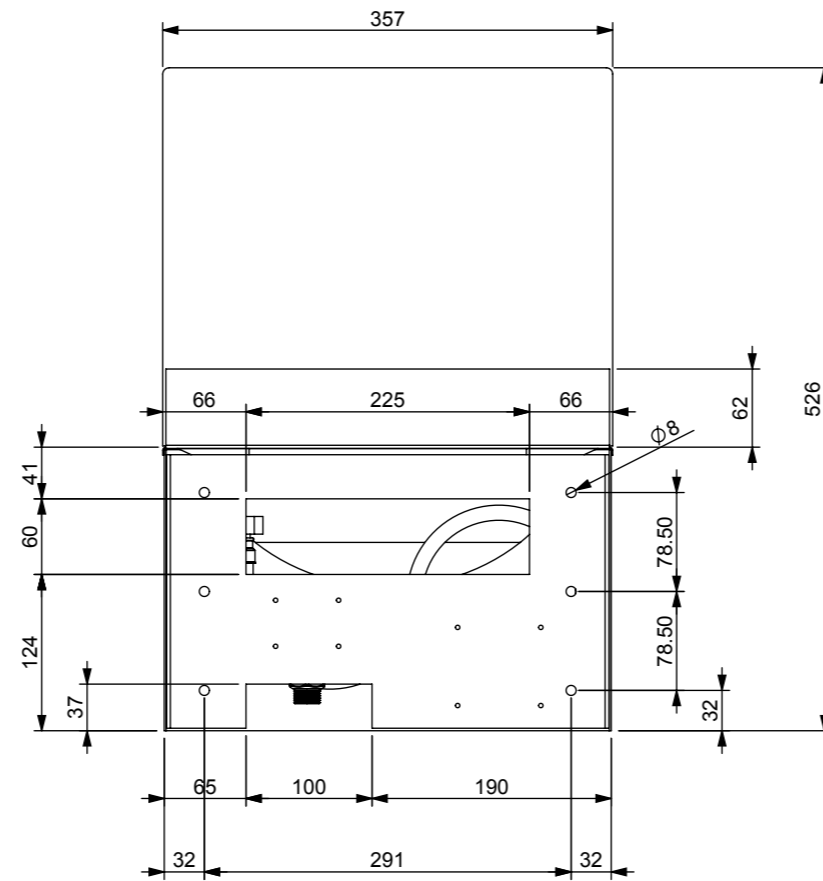
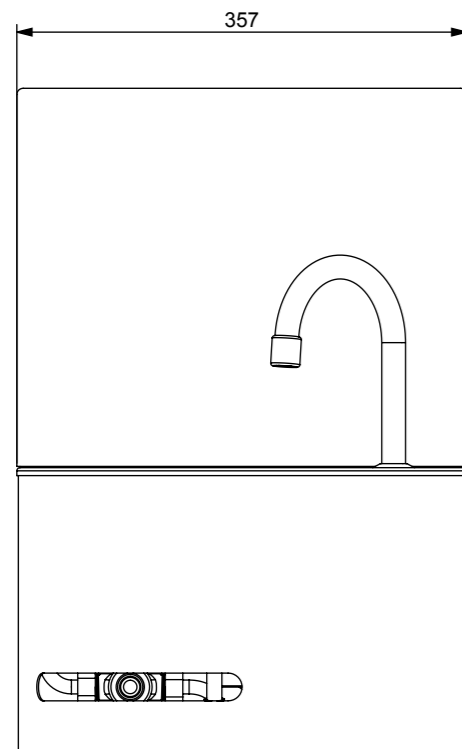


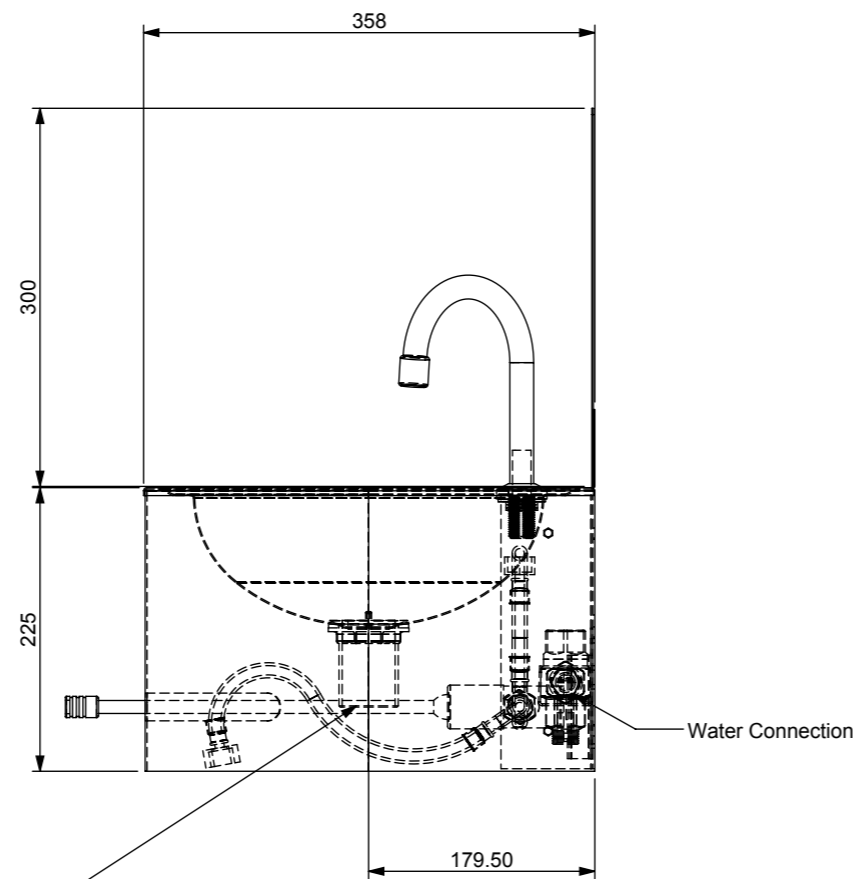
PLAN VIEW



ISOMETRIC VIEW



FRONT VIEW



END VIEW

**Product Details**

Waste : 40mm  
 Water Connection : 1/2" BSP Tempering Valve

REVISION TABLE				
REV.	REVISED BY	DATE	REVISION DESCRIPTION	STATUS
B	D Bowden	17/06/2008	Components Changed & Skirt Modified	
C	M Love	11/05/2011	Fixing Plate Modified	



**STODDART MANUFACTURING**  
 TOM STODDART Pty Ltd ACN 009 690 251  
 215 Jackson Rd Sunnybank Hills Qld 4109  
 PO Box 420 Sunnybank Qld 4109  
 Phone (617) 3344 2444 Fax (617) 3345 6403  
 Email sunnybank@stoddart.com.au  
*Quality in stainless steel*

DRAWN: J Pickels				SIGNATURE: [Signature]		DATE: 1/09/2008		UNLESS OTHERWISE SPECIFIED: DIMENSIONS ARE IN MILLIMETERS		PART No: <b>SPPL-WB-R-WM-WO-a001 Rev C</b>	
APPVD: [Signature]				MATERIAL:		THICKNESS:		FINISH:		DESCRIPTION:	
Weight: [Blank]				Surface Area: [Blank]		DO NOT SCALE DRAWING		This drawing remains the property of Tom Stoddart Pty Ltd & cannot be reproduced without prior permission.		DWG No: <b>SPPL-WB-R-WM-WO-d001 Rev C</b>	
										Dwg. Issue	0
										A3	Sheet 1 of 10