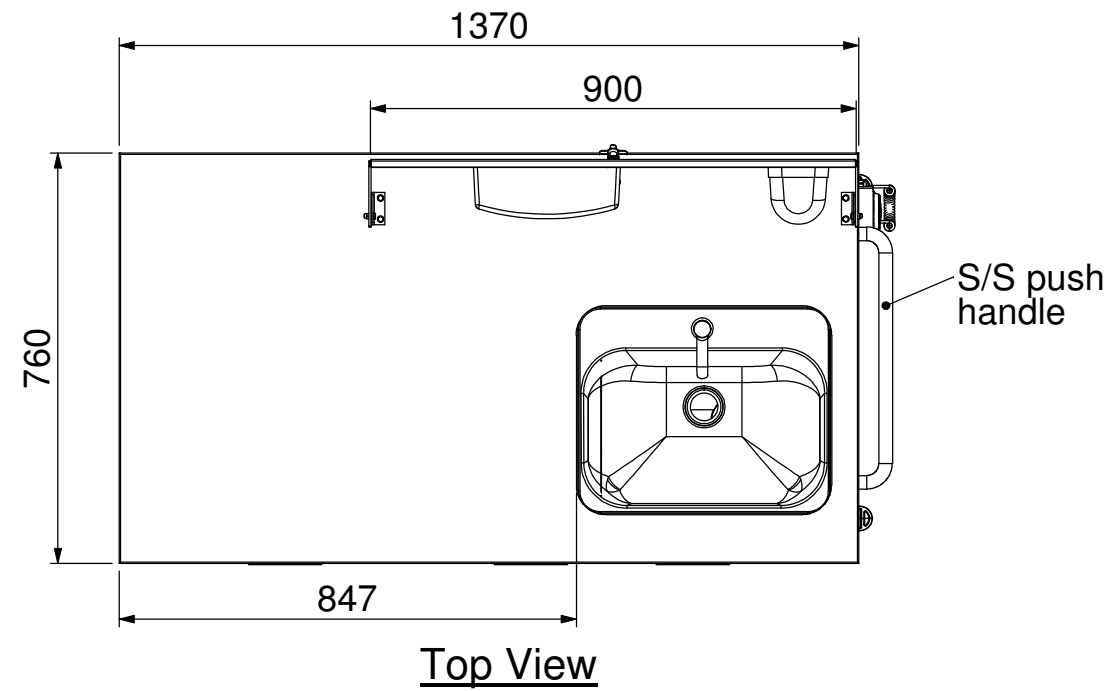


Product Details:

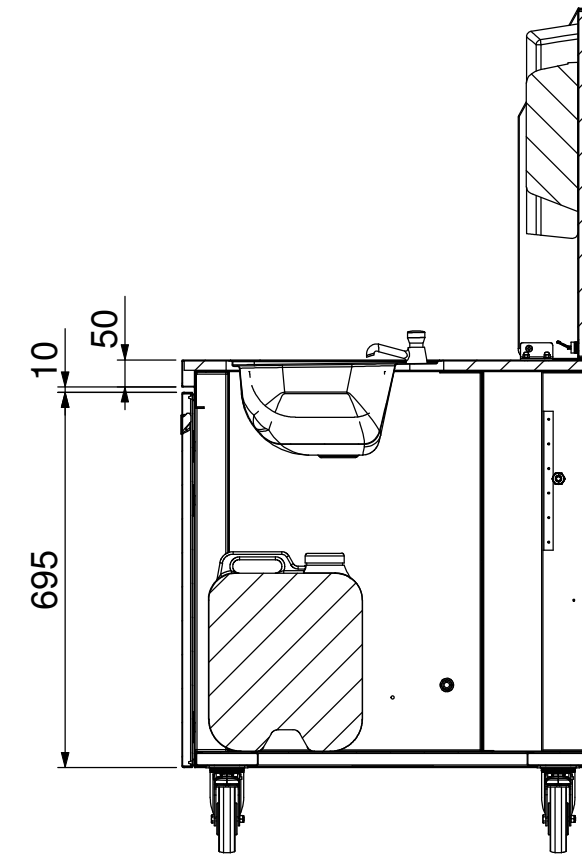
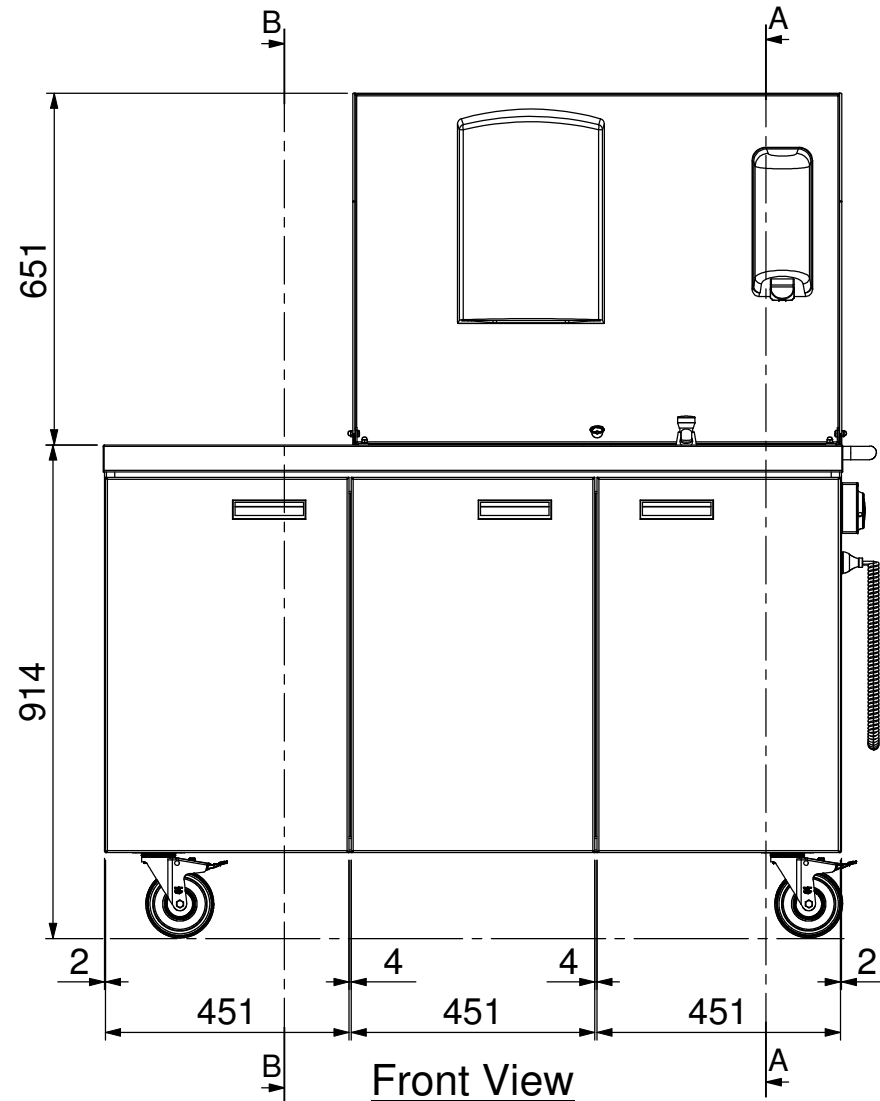
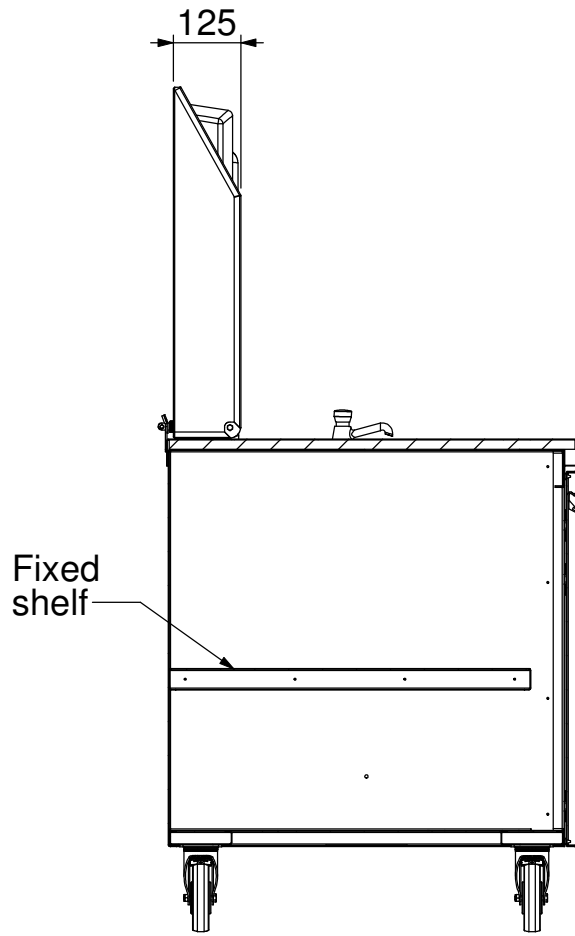
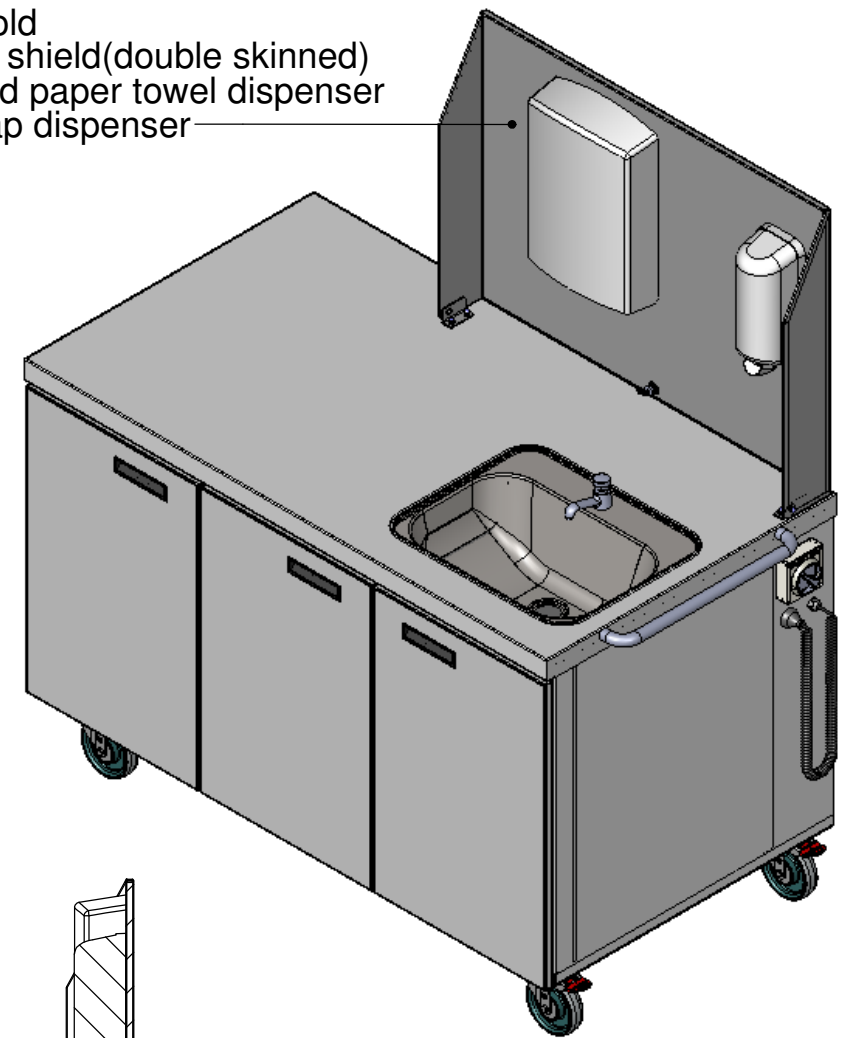
Cabinet: All panels 1.2 304 No4 S/S

Doors: 1.2 304 No4 S/S with black plastic handles, Blum hinges & rubber door bumpers

Electrical 240v Single Phase
15 amp
2meter lead 3 pin plug



S/S fold down shield(double skinned) to hold paper towel dispenser & soap dispenser



STODDART MANUFACTURING

TOM STODDART Pty Ltd ACN 009 690 251
149 Jackson Rd Sunnybank Hills Qld 4109
PO Box 420 Sunnybank Qld 4109
Phone (617) 3345 5011 Fax (617) 3344 1000
Email sunnybank@stoddart.com.au
Quality in stainless steel

DRAWN M Watts				DATE 15/12/2009	UNLESS OTHERWISE SPECIFIED: DIMENSIONS ARE IN MILLIMETERS	PART No: SPPL-WB-MWS-1365-760-a001 Rev B	
APPVD				MATERIAL:		DESCRIPTION: 3 Door Mobile Basin Cupboard	
Weight: 221344.25 kg Surface Area: 30510156.85 M2				 THICKNESS: FINISH:	DWG No: SPPL-WB-MWS-1365-760-d001 Rev B		Dwg. Issue 1
DO NOT SCALE DRAWING					This drawing remains the property of Tom Stoddart Pty Ltd & cannot be reproduced without prior permission.		A3

REVISION TABLE			
REV.	REVISED BY	DATE	REVISION DESCRIPTION
A		11/04/2011	Initial Issue
B	M Watts	11/04/2011	Parts changed in thickness p041, p042, p023, p025, p028 Minor Changes to parts p007, p011, p012