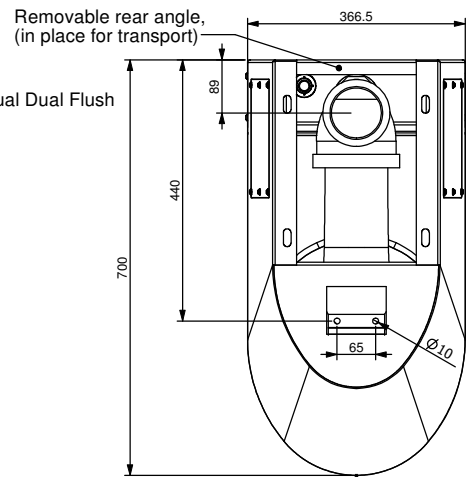
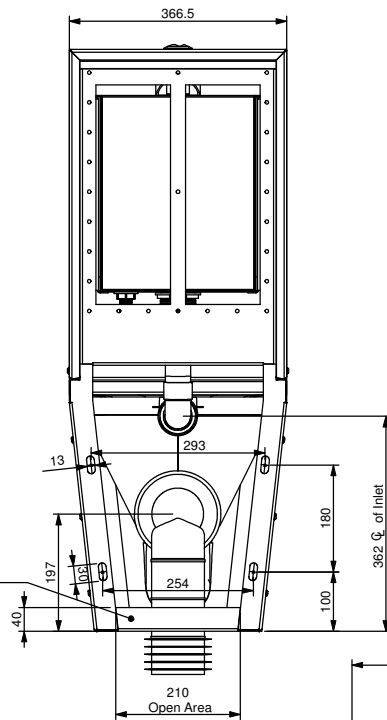


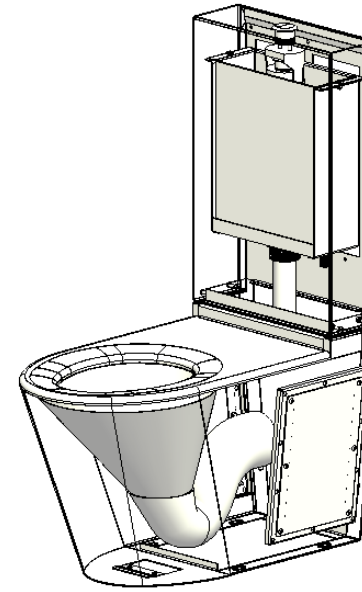
PLAN VIEW



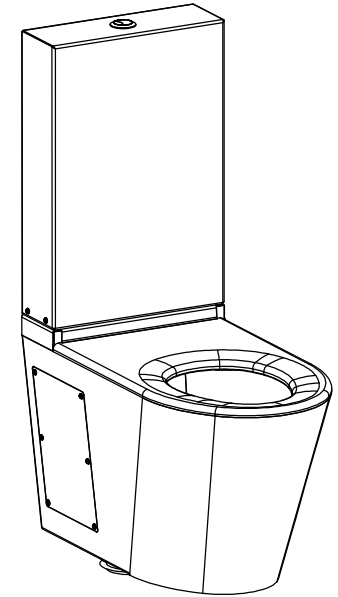
UNDERSIDE VIEW



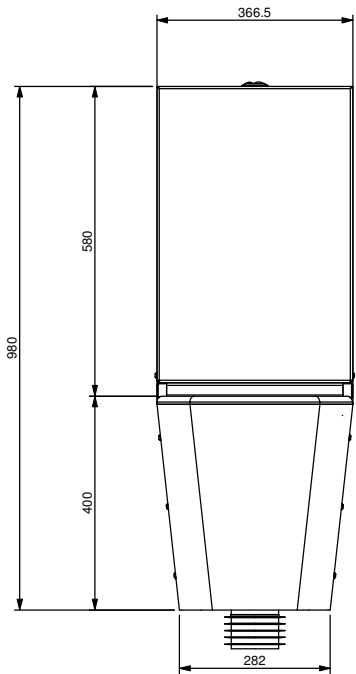
REAR VIEW



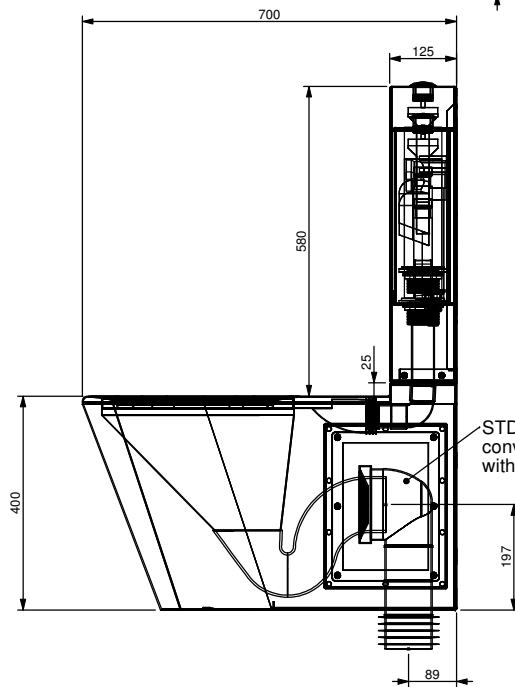
ISOMETRIC VIEW



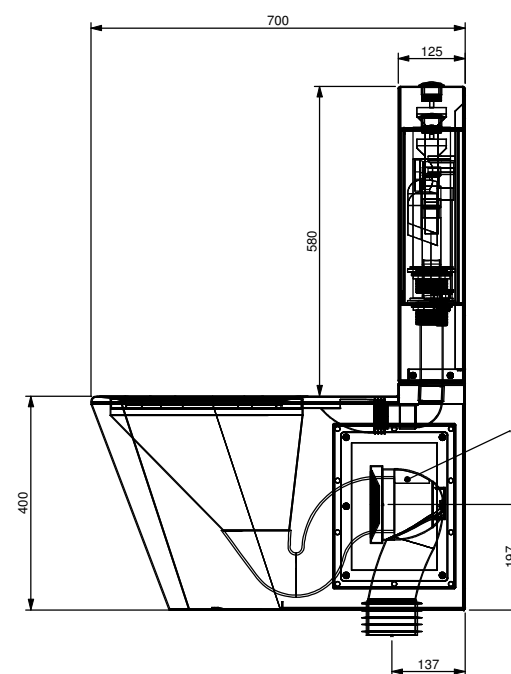
ISOMETRIC VIEW



FRONT VIEW



END VIEW



END VIEW



**STODDART MANUFACTURING**  
 TOM STODDART Pty Ltd ACN 009 690 251  
 149 Jackson Rd Sunnybank Hills Qld 4109  
 PO Box 420 Sunnybank Qld 4109  
 Phone (617) 3345 5011 Fax (617) 3344 1000  
 Email sunnybank@stoddart.com.au  
*Quality in stainless steel*

REVISION TABLE

REV.	REVISED BY	DATE	REVISION DESCRIPTION	STATUS
A	J Pickels	12/07/2011		For Manufacture

DRAWN: J Pickels				DATE: 11/11/2009	UNLESS OTHERWISE SPECIFIED: DIMENSIONS ARE IN MILLIMETERS	PART No: <b>SPPL-TP-WF-CC-CI Rev A</b>	
APPVD:				MATERIAL:		DESCRIPTION: Stainless Toilet Pan & Cistern - Close Coupled Unit	
Weight: 27.67 kg Surface Area: 5.45 M2				THICKNESS:		DWG No: <b>SPPL-TP-WF-CC-CI Rev A</b>	
DO NOT SCALE DRAWING				FINISH:		Sheet 1 of 17	