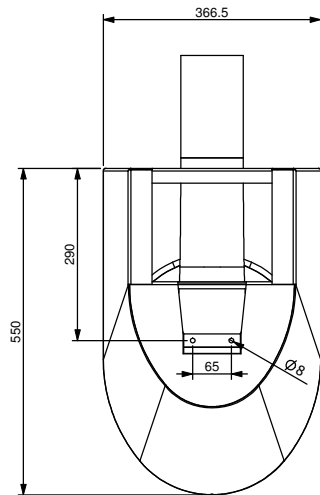
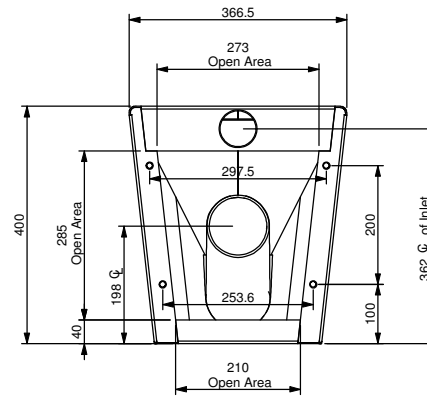


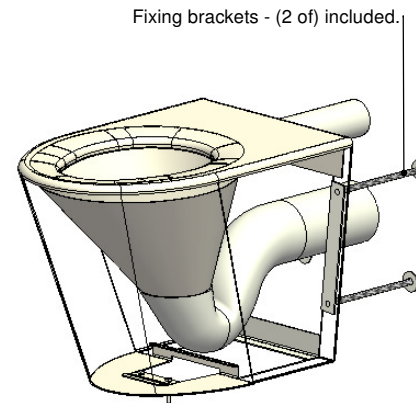
PLAN VIEW



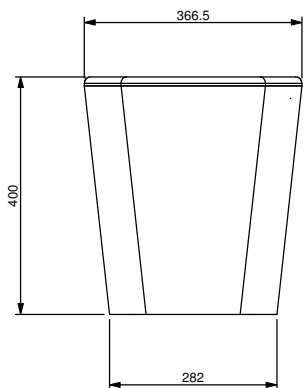
UNDERSIDE VIEW



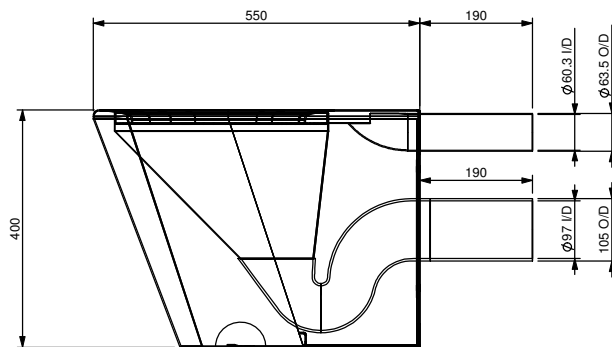
REAR VIEW



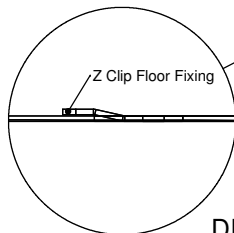
ISOMETRIC VIEW



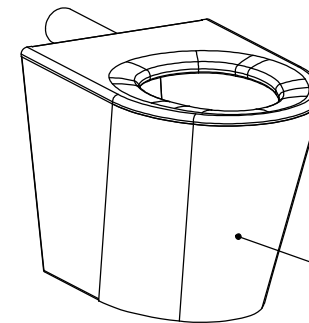
FRONT VIEW



END VIEW



DETAIL A  
SCALE 1 : 2



ISOMETRIC VIEW

**MATERIAL :**

- Shroud and Seat - 2.0mm 304 Grade No.4 Satin Finish
- Trap - Cast 304 Grade S/S
- Toilet Bowl - 1.2mm 304 Grade 2B Finish

REVISION TABLE			
REV.	REVISED BY	DATE	REVISION DESCRIPTION
A	J Pickels	8/08/2011	For Manufacture



**STODDART  
MANUFACTURING**  
TOM STODDART Pty Ltd ACN 009 690 251  
149 Jackson Rd Sunnybank Hills Qld 4109  
PO Box 420 Sunnybank Qld 4109  
Phone (617) 3345 5011 Fax (617) 3344 1000  
Email sunnybank@stoddart.com.au  
*Quality in stainless steel*

DRAWN J Pickels				DATE 4/11/2010		UNLESS OTHERWISE SPECIFIED: DIMENSIONS ARE IN MILLIMETERS		PART No: <b>SPPL-TP-WF-3-S-S-RA-550-WA-VAR Rev A</b>	
APPVD				MATERIAL:		THICKNESS:		FINISH:	
Weight: 18.17 kg Surface Area: 2.47 M2									
DO NOT SCALE DRAWING				This drawing remains the property of Tom Stoddart Pty Ltd & cannot be reproduced without prior permission.				A3	
								DWG No: <b>SPPL-TP-WF-3-S-S-RA-550-WA-VAR Rev A</b>	
								Sheet 1 of 21	
								Dwg. Issue <b>1</b>	