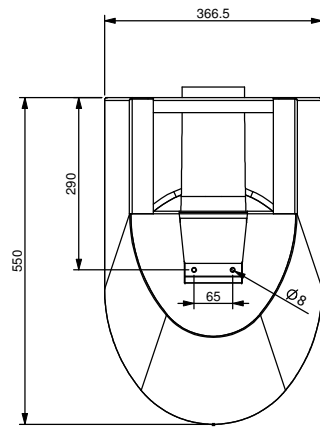
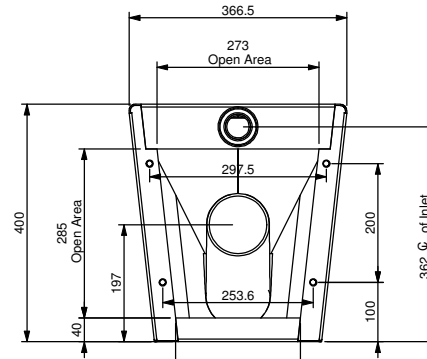


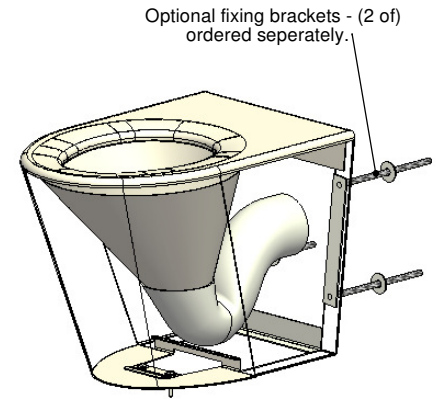
PLAN VIEW



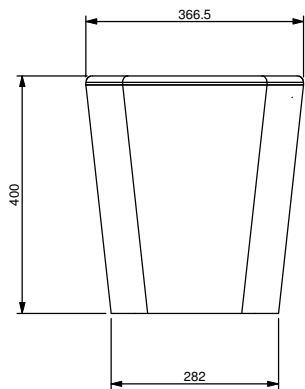
UNDERSIDE VIEW



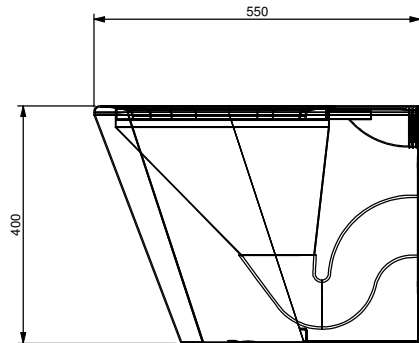
REAR VIEW



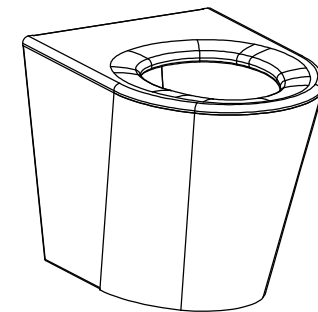
ISOMETRIC VIEW



FRONT VIEW



END VIEW



ISOMETRIC VIEW

REVISION TABLE

REV.	REVISED BY	DATE	REVISION DESCRIPTION	STATUS
A	J Pickels	29/06/2010		For Manufacture
B	J Pickels	4/11/2010	Parts 001,002,010,011 have changed-New parts added.012,013,014	For Manufacture



**STODDART MANUFACTURING**

TOM STODDART Pty Ltd ACN 009 690 251  
 149 Jackson Rd Sunnybank Hills Qld 4109  
 PO Box 420 Sunnybank Qld 4109  
 Phone (617) 3345 5011 Fax (617) 3344 1000  
 Email sunnybank@stoddart.com.au

*Quality in stainless steel*

DRAWN J Pickels				DATE 4/11/2010	UNLESS OTHERWISE SPECIFIED: DIMENSIONS ARE IN MILLIMETERS	PART No: <b>SPPL-TP-WF-3-S-S-RA-550 Rev B</b>	
APPVD				MATERIAL:		DESCRIPTION: Wall Faced Pan	
Weight: 18.03 kg Surface Area: 2.33 M <sup>2</sup>					THICKNESS:	DWG No: <b>SPPL-TP-WF-3-S-S-RA-550 Rev B</b>	
DO NOT SCALE DRAWING					FINISH:	Sheet 1 of 19	

Dwg. Issue  
**2**