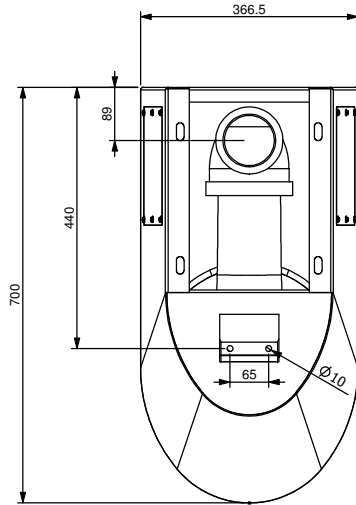
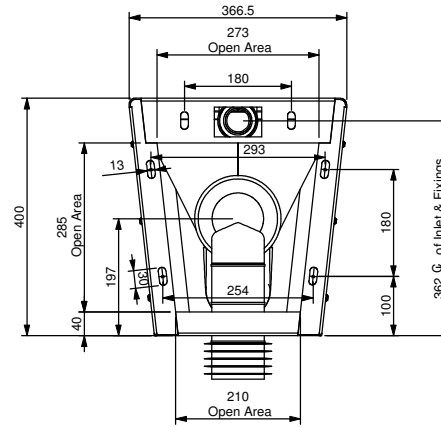


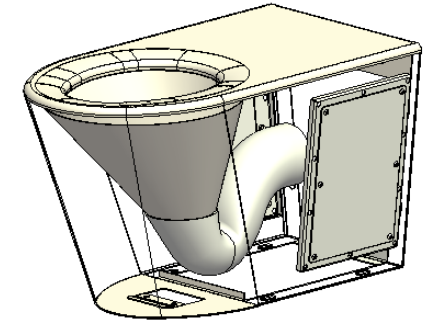
PLAN VIEW



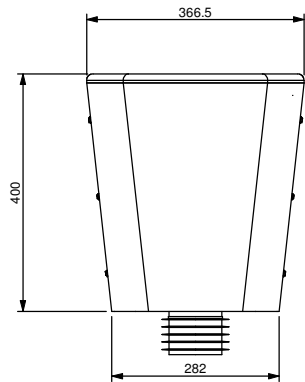
UNDERSIDE VIEW



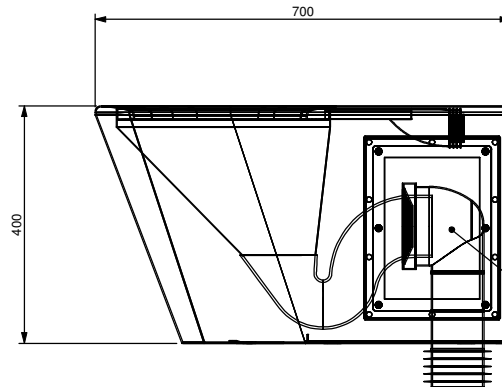
REAR VIEW



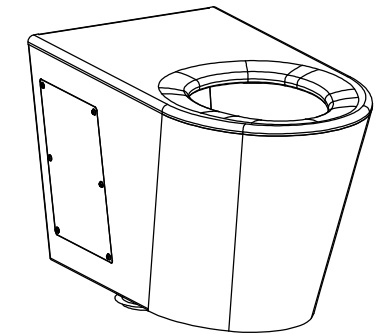
ISOMETRIC VIEW



FRONT VIEW



END VIEW



ISOMETRIC VIEW

S Trap to P Trap converter **not supplied** with toilet.

Press:	Programmed by:	Date:	Punch:	Die:
--------	----------------	-------	--------	------

STODDART MANUFACTURING
 TOM STODDART Pty Ltd ACN 009 690 251
 215 Jackson Rd Sunnybank Hills Qld 4109
 P.O. Box 420 Sunnybank Qld 4109
 Phone: (617) 3344 2444 Fax: (617) 3344 6403
 Email: sunnybank@stoddart.com.au
Quality in stainless steel

PRODUCT: Stainless Toilet Pan Wall Faced 3				PART No: SPPL-TP-WF-3-S-S-BSA Rev A	
NAME	SIGNATURE	DATE	UNLESS OTHERWISE SPECIFIED: DIMENSIONS ARE IN MILLIMETERS		
DRAWN J Pickels		11/11/2009	DESCRIPTION: General Drawing		
APPVD			MATERIAL:		REVISION
			THICKNESS:		
			FINISH:		
Weight: 22.58 kg	Surface Area: 3.18 M2		DWG No: SPPL-TP-WF-3-S-S-BSA Rev A		
DO NOT SCALE DRAWING			This drawing remains the property of Tom Stoddart Pty Ltd & cannot be reproduced without prior permission.		A3
					Sheet 1 of 16

REV.	NAME	DATE	DESCRIPTION
A	J Pickels	29/06/2010	For Manufacture